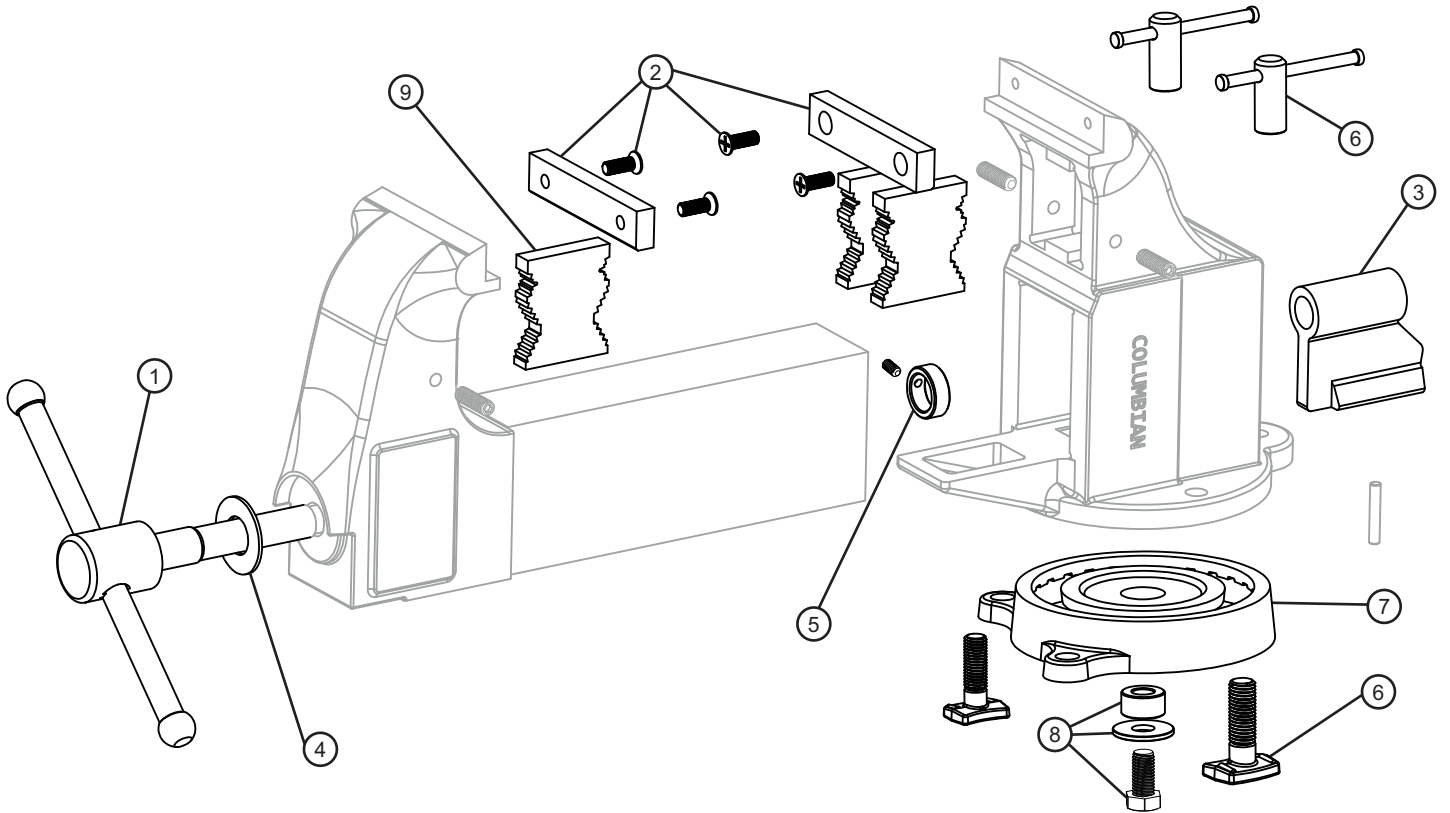




206M3 COMB. PIPE VISE (2/87) - Parts Diagram

6" Jaw Width, 10" Jaw Opening, 7-1/8" Jaw Depth

Stock #: 10406 Model #: 206M3



#	Part	Description
1	10406S23	Spindle & Handle Assembly
2	10106S40	Serrated Jaw Inserts w/ Screws
3	10406S04	Spindle Nut
4	10406S24	Spindle Head Washer
5	10406S25	Collar & Set Screw
6	10205S51	Lock Nut & Bolt Assembly (assembly for 1 side)
7	10406S03	Swivel Base Plate
8	10208S50	Center Swivel Bolt Assembly
9	10405S46	Pipe Jaw (1 unit)