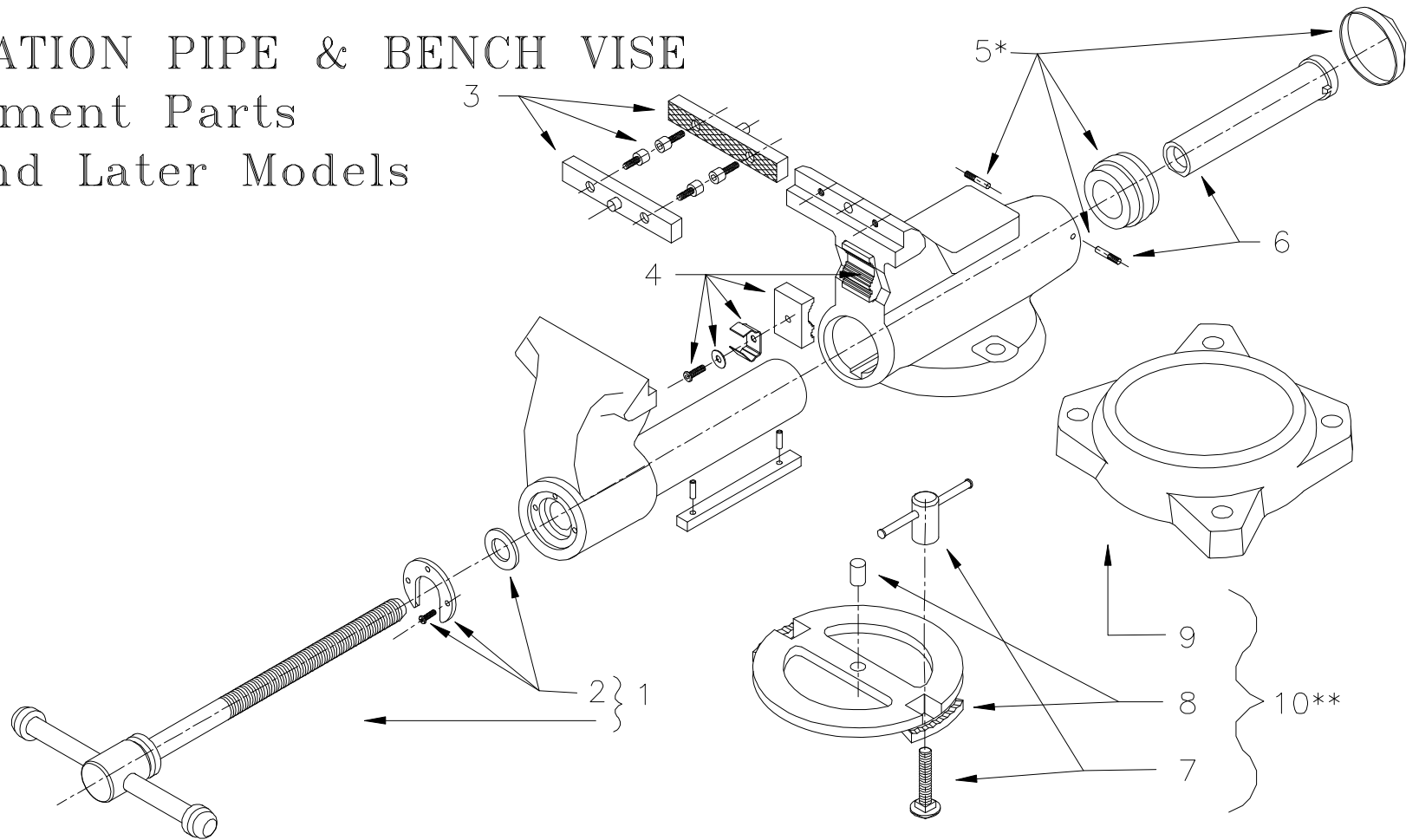


COMBINATION PIPE & BENCH VISE

Replacement Parts

1998 And Later Models



WILTON MODEL NUMBER	STATIONARY NUMBER: REFERENCE	ITEM #1 JAW CASTING ASSEMBLY WITH #2	ITEM #2 RING WITH (3) SCREWS & WASHER	ITEM #3 SERRATED JAW INSERTS W/ SCREWS	ITEM #3a SMOOTH JAW INSERTS W/ SCREWS	ITEM #4 PIPE JAW ASSEMBLY, COMPLETE	ITEM #5* END PIECE ASSEMBLY W/ 2 PINS	ITEM #6 SPINDLE NUT, WITH 2 PINS	ITEM #7** LOCK NUT AND BOLT ASSEMBLY	ITEM #8** INNER RING WITH DOWEL PIN	ITEM #9** OUTER RING ONLY	ITEM #10** SWIVEL BASE ASSEMBLY (#7, #8, #9)
C-0	111282	2900150	2904000	2904960	2904970	2908050	2900780	2901090	2905210	1010880	1011990	2905330
C-1	111277	2900030	2904010	2905000	2905010	2900770	2901110	2900120	2904270	1010810	1011980	2904120
C-2	100523	2900160	2904500	2903240	NOT AVAIL.	2900830	2901120	2900170	2904160	1010830	1010840	2900590
C-3	100524	2900180	2904500	2907370	NOT AVAIL.	2907600	2901130	2901150	2907410	1011070	1011080	2907360
AW-35	111282	2900200	2904000	2905040	NOT AVAIL.	2901100	2900780	2901090	2905220	1010880	1011990	2905120
AW-45	111277	2900210	2904010	2907430	NOT AVAIL.	2907420	2901110	2900120	2907440	1010810	1011980	2907120

* The end piece is internal and covered with a large diameter end cap.

** Items 7 thru 10 are not used on "N" model vises.