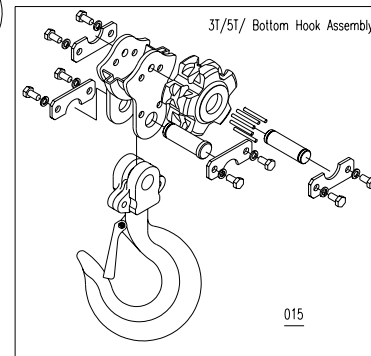
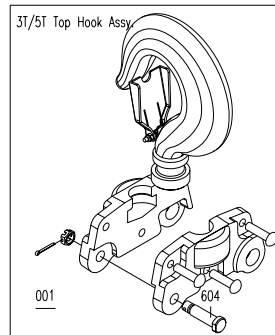
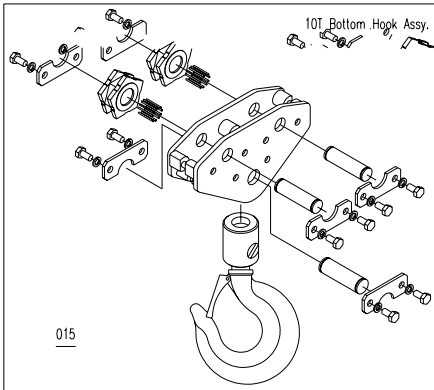
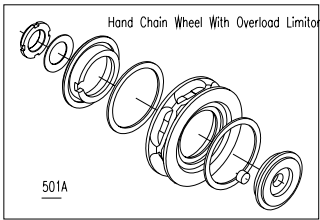
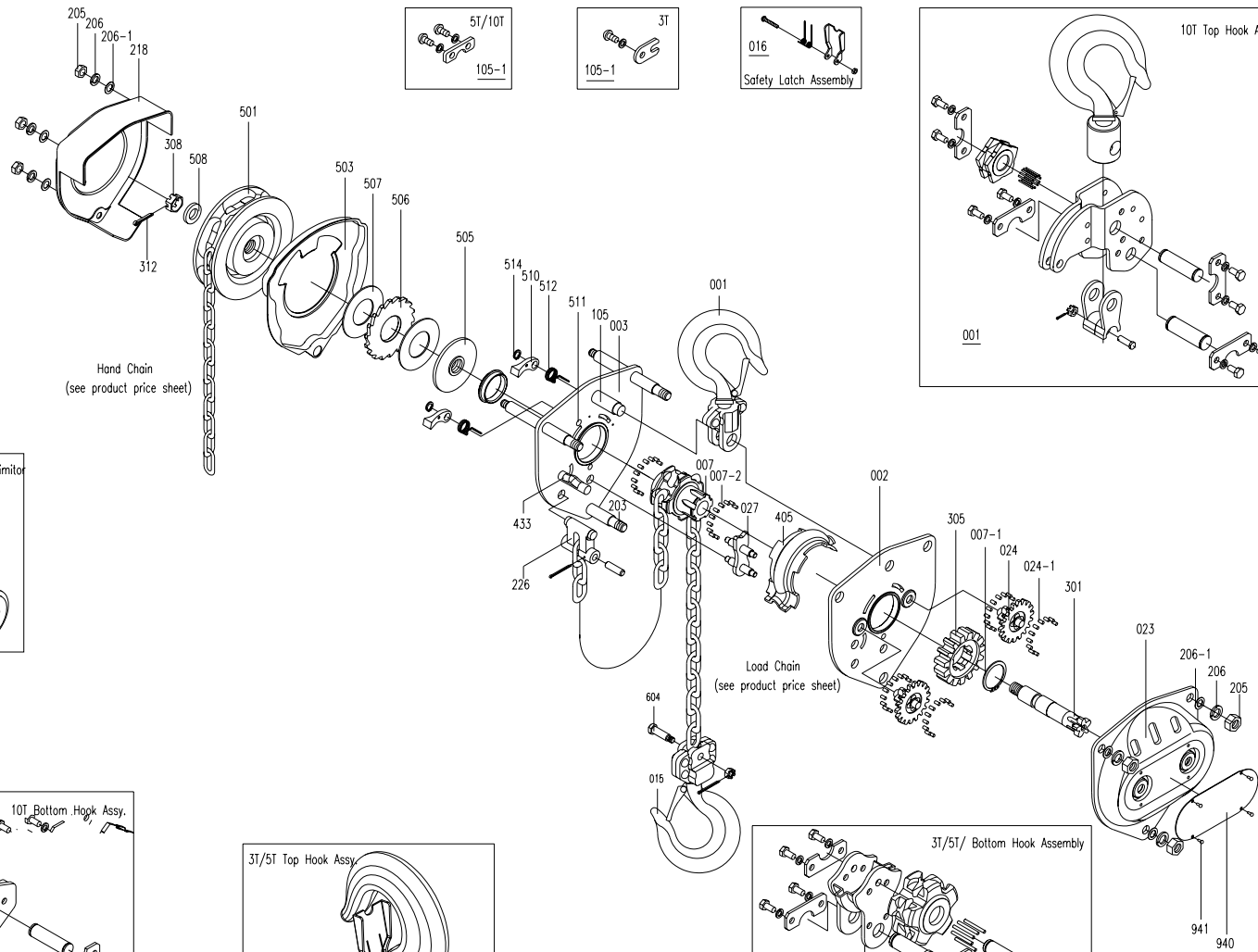
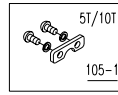
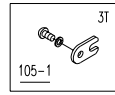
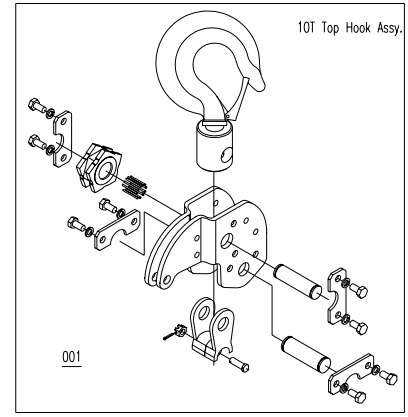


Parts SMH Chain Hoist



Parts List: 1-1/2 Ton SMH Chain Hoist

Index No.	Part No.	Description	Size	Qty
001	SMH-001C	Top Hook Assy		1
002	SMH-002C	Gear Side Plate Assy		1
003	SMH-003C	Wheel Side Plate Assy		1
007	SMH-007C	Load Sheave		1
007-1	SMH-007-1C	Snap Ring	38	1
007-2	SMH-007-2C	Roller Kit	60 Rollers	1
015	SMH-015C	Bottom Hook Assy		1
016	SMH-016C	Safety Latch Assy		2
023	SMH-023C	Gear Case Assy		1
024	SMH-024C	Spur Gear Assy		2
027	SMH-027C	Stripper Assy		1
105	SMH-105C	Top Hook Pin		1
203	SMH-203C	Stay Bolt		3
205	SMH-205B	Cover Nut		6
206	SMH-206B	Lock Washer		6
206-1	SMH-206-1B	Flat Washer		6
208	SMH-218C	Hand Wheel Cove		1
226	SMH-226C	Anchor Plate		1
301	SMH-301C	Drive Shaft		1
305	SMH-305C	Load Gear		1
308	SMH-308A	Castle Nut		1
312	SMH-312A	Split Pin	2.5x20	1
405	SMH-405C	Load Sheave Cover		1
433	SMH-433C	PIN Load Sheave Cover Pin		1
501	SMH-501C	Hand Chain Wheel		1
503	SMH-503C	Brake Cover		1
505	SMH-505C	Disc Cover		1
506	SMH-506C	Ratchet Gear		1
507	SMH-507C	Friction Disc		2
508	SMH-508A	Check Washer		1
510	SMH-510C	Pawl		2
511	SMH-511C	Pawl Pin		2
512	SMH-512B	Pawl Spring		2
514	SMH-514B	Snap Ring	8	2
604	SMH-604C	Chain Stop Bolt Assy		1
940	SMH-940C	Name Plate	1.5 Ton	1
941	SMH-941A	Rivet	2.5 x 6	4
942	187728	Hand Chain*	Ø 5mm	1
943	187726	Load Chain* (1-Ton)	Ø 7mm	1