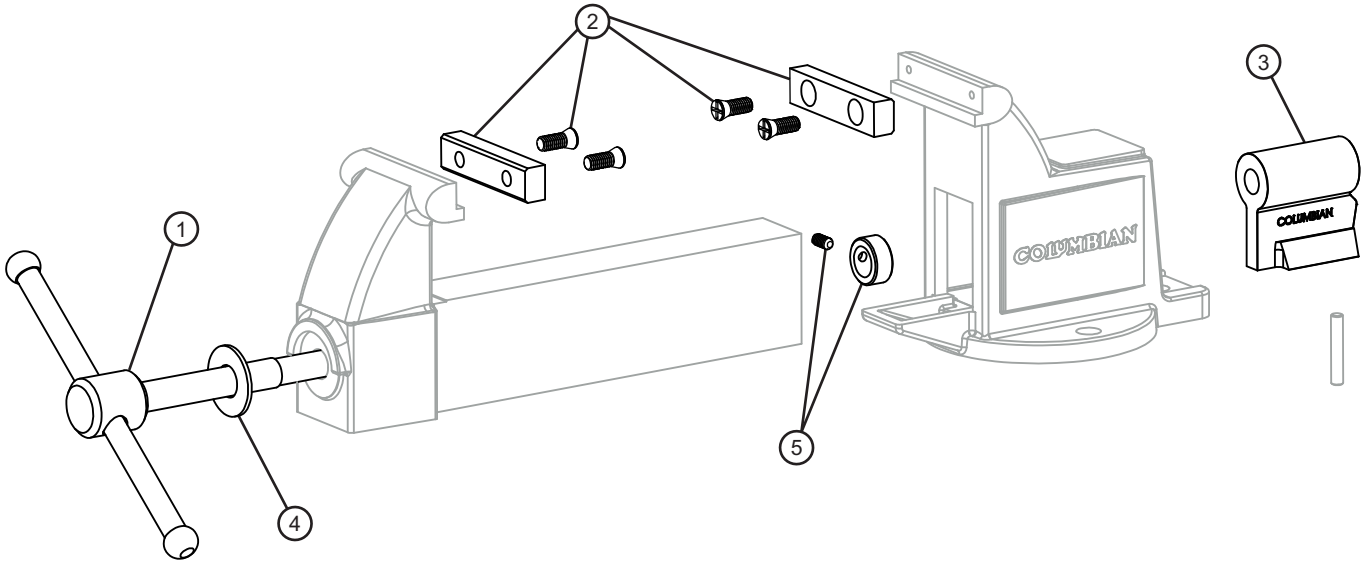




503M3 MACHINIST'S VISE (TEXT) - Parts Diagram

3" Jaw Width, 4" Jaw Opening, 3" Jaw Depth

Stock #: 10101 Model #: 503M3



#	Part	Description
1	10101S23	Spindle & Handle Assembly
2	10101S40	Serrated Jaw Inserts w/ Screws
3	10101S04	Spindle Nut
4	10101S24	Spindle Head Washer
5	10101S25	Collar & Set Screw