



SERVICE PARTS LIST

BULLETIN NO.
54-08-1201

SPECIFY CATALOG NO. AND SERIAL NO. WHEN ORDERING PARTS		REVISED BULLETIN 54-08-1200	DATE Sept. '84
1/2" REVERSING DRILL			
CATALOG NO. 1007-1		STARTING SERIAL NO. 628-10000	
CAT. NO. 1007-6	START SER. NO. 628-10000	BILINGUAL LABEL 10-98-6400	

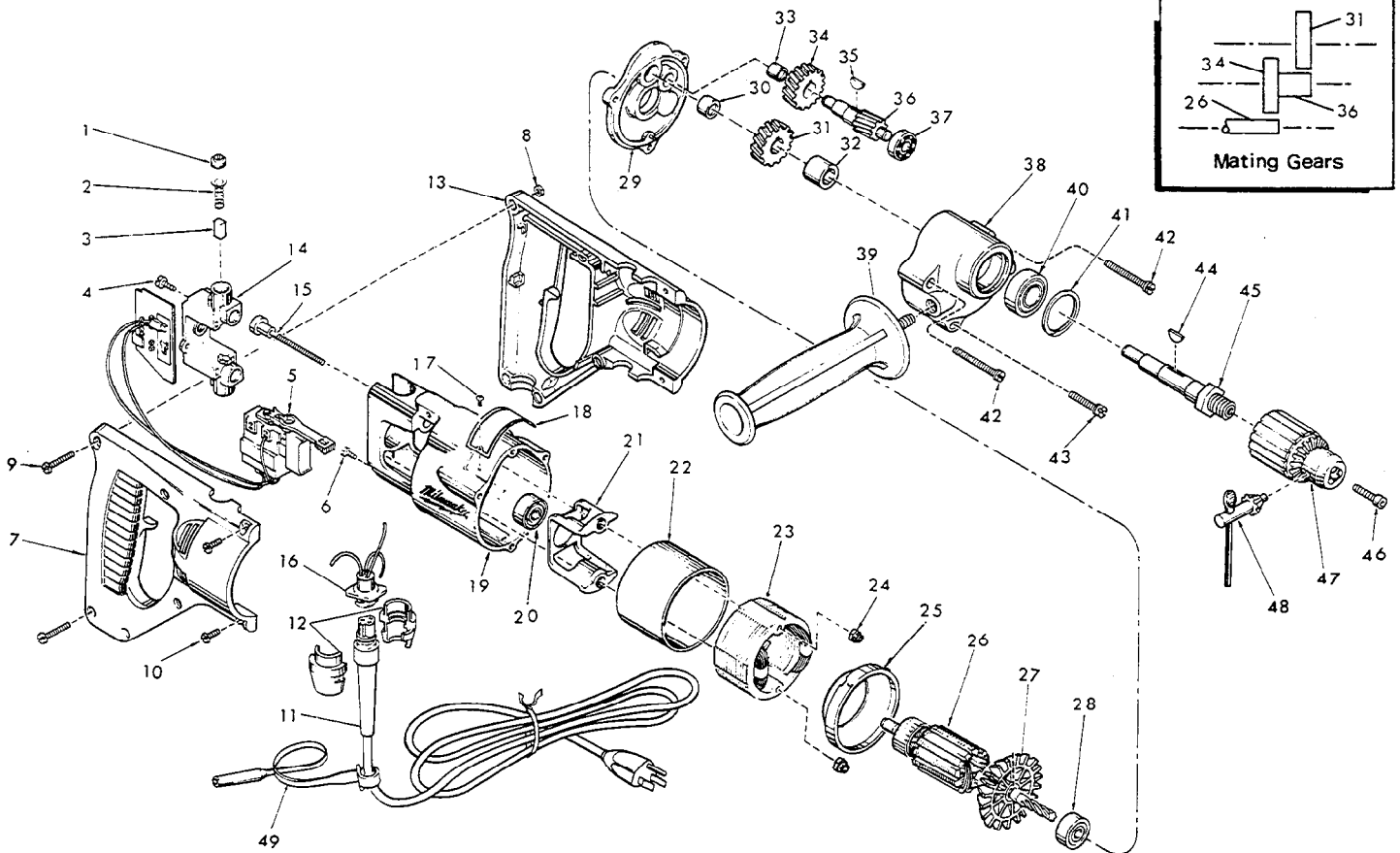
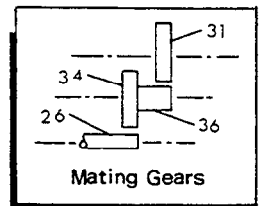


FIG.	PART NO.	DESCRIPTION OF PART	NO. REQ.	FIG.	PART NO.	DESCRIPTION OF PART	NO. REQ.
★ 1	23-44-0190	Brush Retaining Screw	(2)	★ 27	28-84-0530	Fan Assembly	(1)
2	23-52-0160	Brush Spring	(2)	★ 28	02-04-0911	Ball Bearing	(1)
★ 3	22-16-0275	Carbon Brush	(2)	★ 29	28-28-0585	Diaphragm	(1)
★ 4	06-95-0075	6-32 x 3/8 Trus Hd. Taptite Screw	(2)	30	02-50-2110	Needle Bearing	(1)
5	23-66-1125	Switch	(1)	31	32-75-1601	Spindle Gear	(1)
6	06-95-5150	Ground Screw	(1)	32	45-36-0210	Spindle Gear Spacer	(1)
7	31-44-0630	R.H. Half D Handle	(1)	33	02-50-1640	Needle Bearing	(1)
8	06-55-0835	8-32 Hex Nut	(5)	34	32-40-1241	Intermediate Gear	(1)
9	06-81-0473	8-32 x 1" Pan Hd. Pozidriv Screw	(5)	35	06-42-0800	Woodruff Key	(1)
10	06-95-0700	8-32 x 1/2" Pan Hd. Taptite Screw	(4)	36	36-66-2001	Intermediate Shaft	(1)
11	48-76-3008	Cord Set (Includes Fig. No. 12)	(1)	37	02-04-0640	Ball Bearing	(1)
12	44-40-0440	Cord Nut	(2)	★ 38	28-14-0686	Gear Case	(1)
13	31-44-0640	L.H. Half D Handle	(1)	★ 39	43-62-0875	Side Handle	(1)
★ 14	22-22-1330	Brush Holder Assembly	(1)	40	02-04-1560	Ball Bearing	(1)
★ 15	06-81-1058	Insulated Field Bolt	(2)	41	34-80-2500	Retaining Ring	(1)
16	22-56-0391	Pin Housing Assy.	(1)	★ 42	06-95-5270	8-32x1-7/8 Fil. Hd. Sem	(2)
17	06-85-0200	6x1/4 Rd. Hd. Type Z Screw	(2)	★ 43	06-95-5250	8-32x1-1/8 Fil. Hd. Sem	(1)
18	12-99-0030	Nameplate	(1)	44	06-42-1600	Woodruff Key	(1)
★ 19	28-50-6201	Motor Housing	(1)	45	38-50-3651	Spindle	(1)
★ 20	02-04-0845	Ball Bearing	(1)	46	06-75-3150	1/4-20x1 L.H. Skt. Cap Screw	(1)
21	31-55-0030	Coil Shield	(1)	47	48-66-1360	1/2" Chuck (Includes Fig. 48)	(1)
22	23-16-0456	Field Insulator	(1)	48	48-66-3280	Chuck Key	(1)
23	18-30-0200	120 V. Field	(1)	49	48-66-4040	Key Holder	(1)
24	06-57-2975	8-32 Flexlock Hex Nut	(2)	50	10-98-5987	Warning Label (Not Shown) Omit For Canadian Tools	(1)
25	31-05-0050	Baffle	(1)				
★ 26	16-30-0325	120 V. Armature (Incl. Fig. No. 27)	(1)				