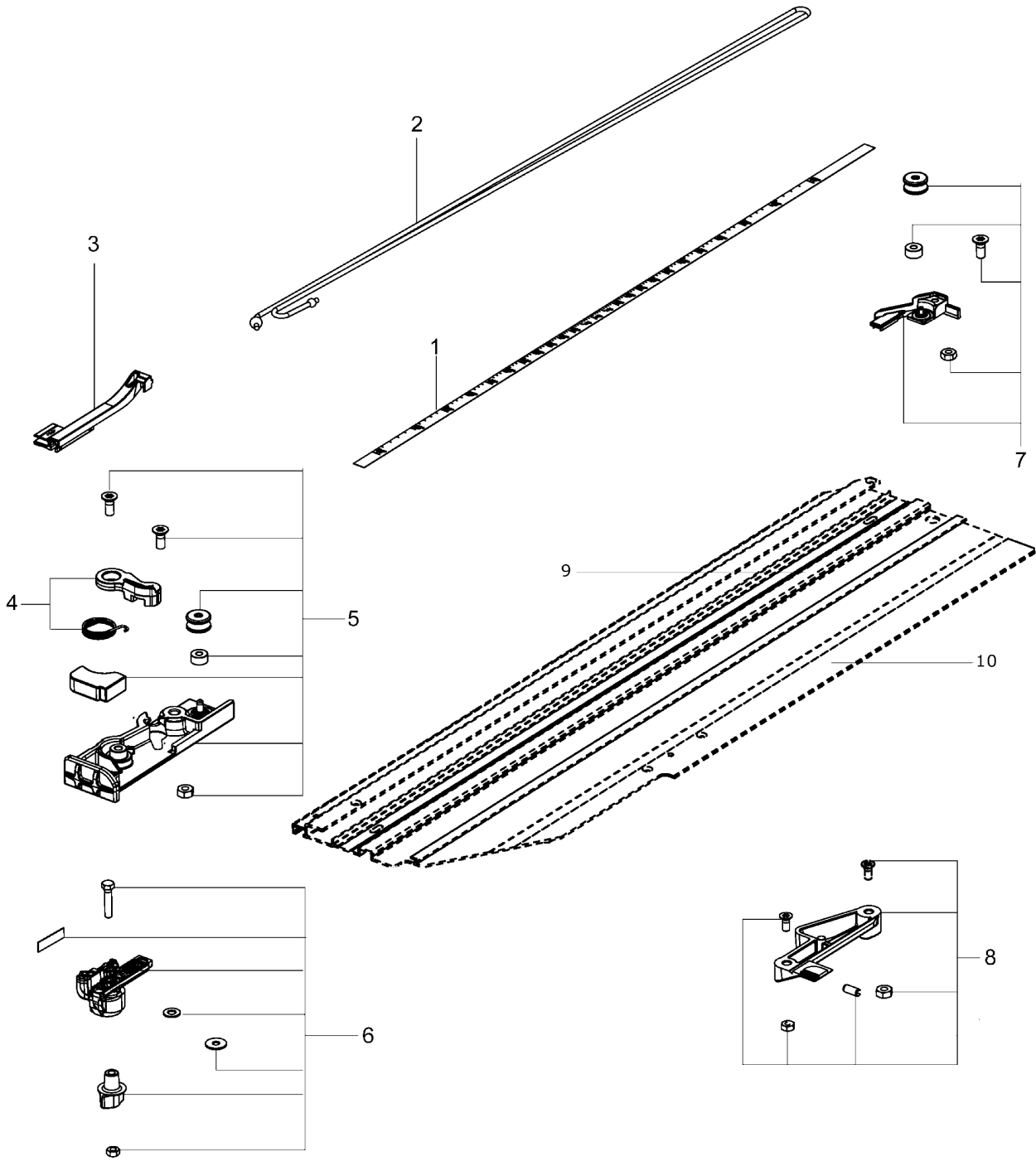


10014118 - FSK 250



Pos	Part No.	Description	Quantity
1	10014121	Scale	1
2	10014123	Cable	1
3	10011960	Slip piece	1
4	200216	Catch	1
5	200217	Body, complete	1
6	200218	Angle stop	1
7	200219	End stop	1
8	200220	Stop, complete	1
9	707523	Label	1
10	707707	Warning plate	1