



SERVICE PARTS LIST

BULLETIN NO.
54-08-1148

SPECIFY CATALOG NO. AND SERIAL NO. WHEN ORDERING PARTS		REVISED BULLETIN 54-08-1147	DATE July '88
1/2" REVERSING DRILL			
CATALOG NO. 1001-1	STARTING SERIAL NO. 491-230000	WIRING INSTRUCTION 58-01-0770	

EXAMPLE:
Component Parts (Small #)
Are Included When Ordering
The Assembly (Large #).

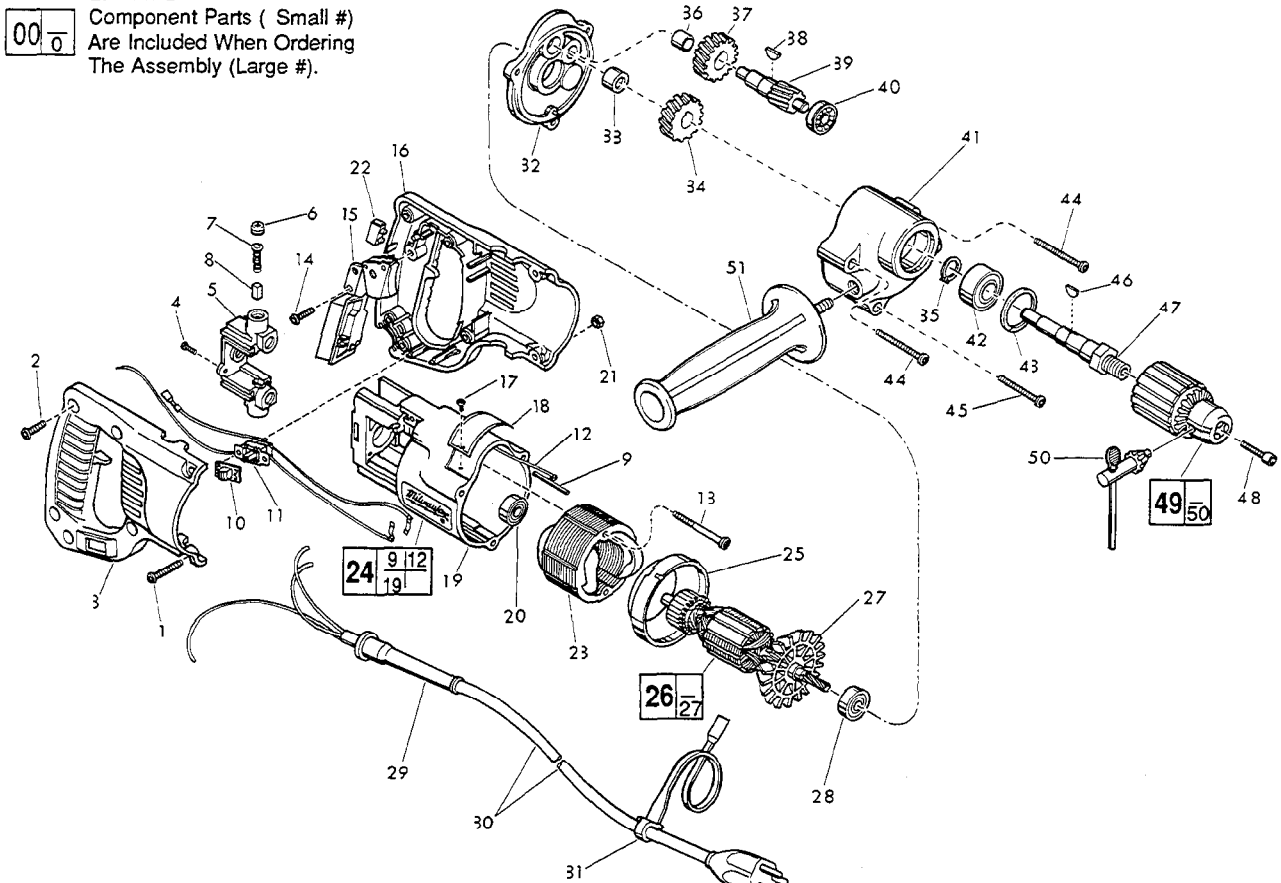


FIG.	PART NO.	DESCRIPTION OF PART	NO. REQ.	FIG.	PART NO.	DESCRIPTION OF PART	NO. REQ.		
*	1	06-82-5390	8-32x1-1/4" Slot Pan Hd. Taprite Torx Screw	(2)	30	22-64-0155	Cord Set	(1)	
	2	06-82-7260	7-18 x 5/8" Pan Hd. Plastite Torx Screw	(5)	31	48-66-4040	Key Holder	(1)	
	3	31-44-1466	Right Handle Half	(1)	*	32	28-28-0601	Diaphragm	(1)
*	4	06-82-7240	6-19 x 1/2" Slit. Pan Hd. Plast. Torx Screw	(2)	33	02-50-2440	Needle Bearing	(1)	
	5	22-22-1330	Brush Holder Assembly	(1)	34	32-75-1601	Spindle Gear	(1)	
	6	23-44-0190	Brush Retaining Cap	(2)	35	34-60-1200	Retaining Ring	(1)	
	7	23-52-0160	Brush Spring	(2)	36	02-50-1640	Needle Bearing	(1)	
	8	22-16-0275	Carbon Brush	(2)	37	32-40-1241	Intermediate Gear	(1)	
*	9	44-60-0530	Ground Pin	(1)	38	06-42-0800	Woodruff Key	(1)	
*	10	31-12-0196	Switch Cap	(1)	39	36-66-2001	Intermediate Shaft	(1)	
*	11	23-66-1865	Reversing Switch Assembly	(1)	40	02-04-0640	Ball Bearing	(1)	
*	12	23-94-6100	Ground Wire Assembly	(1)	41	28-14-1910	Gear Case	(1)	
*	13	06-82-7395	8-16 x 1-3/4" Pan Hd. Plast. Torx	(2)	42	02-04-1536	Ball Bearing	(1)	
	14	06-82-7260	7-18 x 5/8" Pan Hd. Plastite Torx Screw	(1)	43	34-80-2500	Retaining Ring	(1)	
	15	23-66-0167	On-Off Switch	(1)	*	44	06-82-7452	8-16 x 2-1/4" Pan Plastite Torx	(2)
*	16	31-44-1580	Left Handle Half	(1)	*	45	06-82-7354	8-16 x 1-3/8" Slit. Pan Hd. Plastite Torx Screw	(1)
	17	06-85-0200	Nameplate Screw	(2)	46	06-42-1600	Woodruff Key	(1)	
*	18	12-99-0530	Nameplate Blank	(1)	47	38-50-5470	Spindle	(1)	
*	19	31-50-0840	Motor Housing	(1)	48	06-75-3150	1/4-20 x 1 L.H. Skt. Cap Screw	(1)	
	20	02-04-0845	Ball Bearing	(1)	*	49	48-66-1365	1/2" Chuck	(1)
*	21	06-55-0835	8-32 Hex Nut	(2)	50	48-66-3280	Chuck Key	(1)	
*	22	22-56-0456	Terminal Block	(1)	51	43-62-0875	Side Handle	(1)	
	23	18-30-0200	120 Volt Field	(1)					
*	24	31-50-0845	Motor Housing Assembly	(1)					
	25	31-05-0050	Baffle	(1)					
	26	16-30-0325	120 Volt Armature	(1)					
	27	22-84-0530	Fan Assembly	(1)					
	28	02-04-0911	Ball Bearing	(1)					
*	29	44-76-0210	Cord Protector	(1)					

FIG. LUBRICATION

41 3-1/4 Oz. Type "A" Grease, 49-08-0800