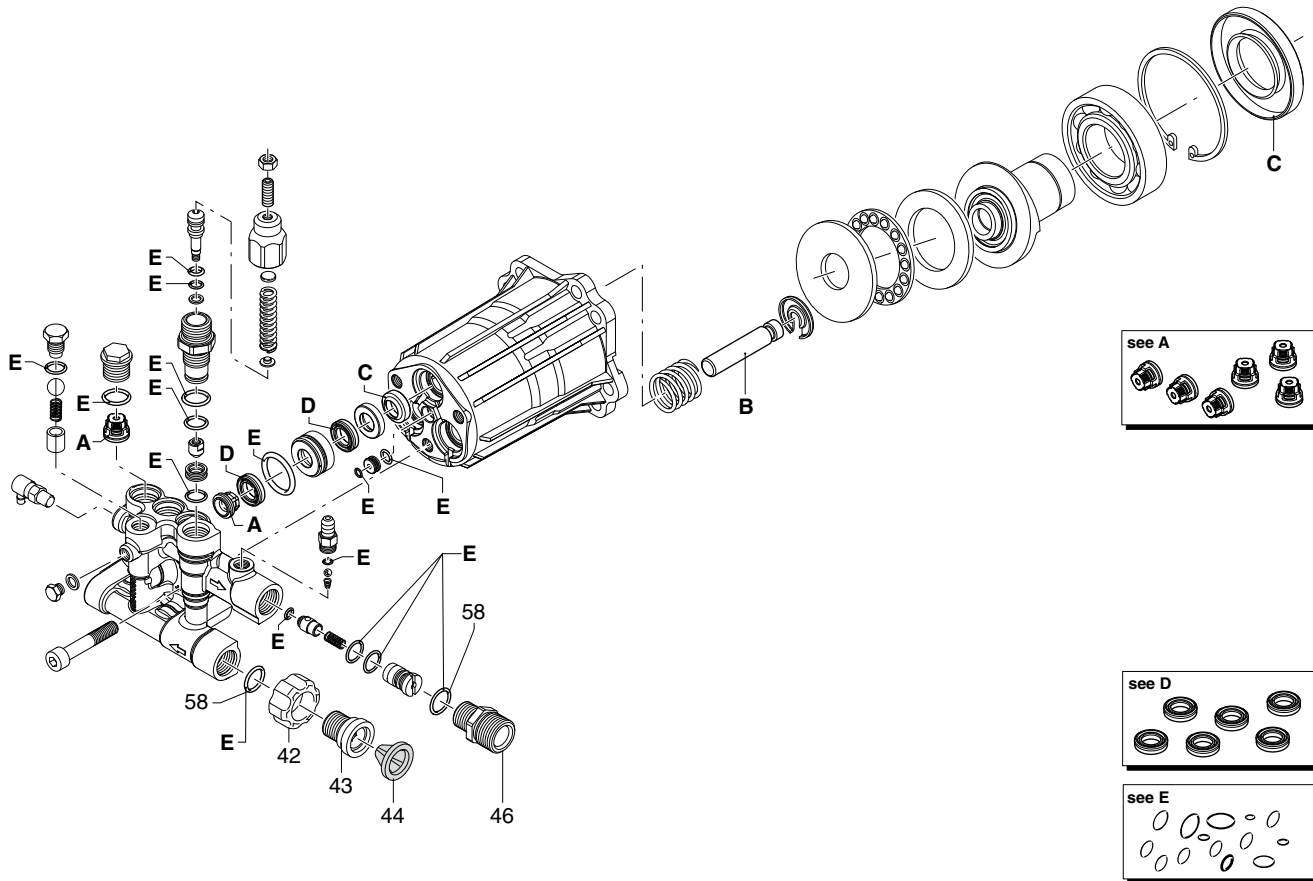


EXPLODED VIEW: EV PW RESI 3200-2900**DRAWING #: 10000007171****GROUP EV**

ITEM	PART#	QTY.	DESCRIPTION
1	OK8430	1	ENGINE
2	OL4739	1	HANDLE C-GRIP
3	10000012847	1	HANDLE KIT PW RESI NO DECAL
4	OL6431	1	HOLSTER VP GUN BLACK
5	OJ1449	2	FASTENER RIBBED SHANK CHRSTM T
6	10000009382	1	GUN VPG M22, ORANGE
7	OH9640	1	LANCE ASSY-20" LONG
8	10000038679	1	HOSE
9	OJ3052	1	HOOK-HOSE
10	OK9974	2	PUSH NUT
11	OJ3079	4	GROMMET-NOZZLE
12	OH9617R	1	KIT-NOZZLE
13	OL4740C	1	DECAL NOZZLE BILLBOARD 3200
	OL4740D	1	DECAL NOZZLE BILLBOARD 2900
14	OK1663	1	PUMP AXIAL (2900)
	OJ7764	1	PUMP AXIAL (3200)
15	OJ3315	4	SCREW SHC M8-1.25X25 C8.8 ZP
16	G092479	4	WASHER LOCK M8 RIBBED
17	G067989	8	NUT HEX FL WHIZ M8-1.25
18	OG5442	2	SNAP BUTTON
19	10000027441	1	CRADLE KIT
20	G021217	4	VIB MOUNT
21	OL2091	1	DECAL NO NOT USE BLEACH
22	OK4078A	1	CAP CHEM TANK
23	OJ3374	1	DECAL QUICK START
24	OK6007	1	DECAL QUICK START
25	10000021533	2	PIN AXLE
26	OJ6276	2	WHEEL
27	OK2895	1	TURBO NOZZLE
28	OL3579	1	PW FOAMER QC
29	10000007185	1	BAG MESH DRAWSTRING
30	10000008335	1	CARD LAMINATED PW ACCESSORY
31	OL5832	1	OIL POUCH 16 OZ SAE 30
32	10000008337	1	ASSY POWER BROOM (3200)
33	G022304	2	WASHER

POWER WASHER PUMP, AXIAL-2.5GPM 3000 PSI – REPLACEMENT PARTS



REF. #	Generac Part #	QTY	Description
	OJ7764	1	PUMP, AXIAL-2.5GPM 3000PSI
42	0H95650120	1	FITTING, SUCTION
43	0H95650121	1	FITTING, SUCTION
44	0H95650122	1	FILTER
46	0H95650123	1	FITTING, OUTLET
58	0H95650124	2	O-RING
64	0H9570	1	VALVE ASSY., THERMAL RELIEF

REF. #	Generac Part #	QTY	Description
A	OJ04790110	1	KIT, VALVE
D	OJ04790113	1	KIT, WATER SEALS
E	OJ77640110	1	KIT, O-RINGS
	0H95650116	1	KIT, UNLOADER (NOT SHOWN)

GENERAC®

Generac Power Systems, Inc.
 S45 W29290 Hwy. 59
 Waukesha, WI 53189
 1-888-GENERAC (1-888-436-3722)