

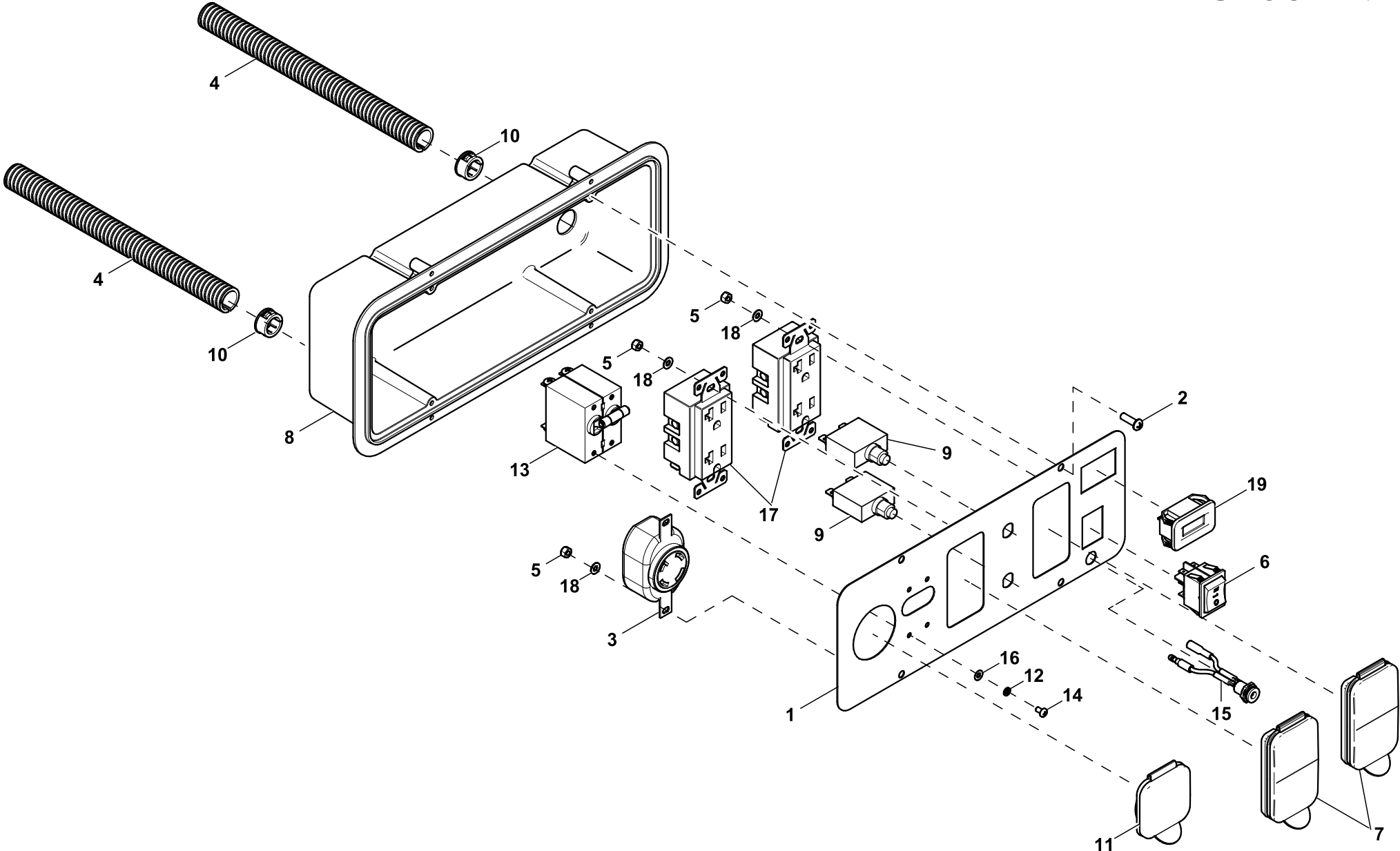
ITEM	PART#	QTY.	DESCRIPTION
PAGE 1			
1	10000012981	1	ST15 GP CRADLE ENGINE HALF
2	10000012939	1	ST15 GP CRADLE ALT HALF
3	0H1779	5	SCREW HHFC M8-1.25 X 45
4	0A1658	1	WASHER LOCK SPECIAL 1/4"
5	0J9125	11	NUT HEX FL WHIZ M8-1.25
6	0J6418	1	BRACKET BATTERY HOLD DOWN
7	045770	1	SCREW HHC M5-0.8 X 10 C8.8
8	0G0926	2	SCREW HHFCS M6-1 X 16 G8.8
9	0K8933	2	FOOT ASSY GP
10	0H9749A	1	PANEL RAIL BACK GP
11	G022304	2	WASHER FLAT 1/2 ZINC
12	0H1780	6	CURVED HEAD M8-1.25 X 41MM LNG
13	0J6460	1	SCROLL ALTERNATOR GP
14	0L1407	1	HANDLE GP7500E
15	G087680	1	NUT WING M6-1.0
16	G045757	1	SCREW HHC M6-1.0 X 25 C8.8
17	0K6011	2	WHEEL 9.5" DIA, PLASTIC
18	G067989	8	NUT HEX FL WHIZ M8-1.25
19	0D4999	2	PIN COTTER 1/8 X 1-1/4 ZN PLT
20	0E8388	1	NUT HEX FL WHIZ M6-1.0
21	0H2043	4	VIB MOUNT 35 X 12 X M8-1.25
22	0H9838G	1	ENGINE 420 ES W/O MFLR EPACARB
23	0L2176	2	SCREW HHSD PREMIUM 1/4-14X1 BZ
24	0H0204	2	AXLE PIN, 1/2"X 4", 3/4" HEAD
25	0H9748	1	PANEL RAIL C/PNL SIDE GP
26	0L1671A	1	CTRL PANEL GP7500E W/GFCI
27	0742600186	1	GROUND WIRE BRG CAR-LUG 4KW
28	0K3130	4	SCREW PPPH M5-0.8 X 16
29	049811	2	WASHER FLAT M6
PAGE 2			
34	0G5445	4	SCREW HHTT M8-1.25 X 20
35	0K2925	1	HOSE FORMED ROV-AIRBOX 420CC
36	0J7921	1	ASSEMBLY ROV
37	0H7591A	1	FUEL TANK ASSY 8 GAL CARB
38	0H1610	4	ANTI-CRUSH 10.8OD 9ID 7.8LG
39	0H1411	4	RUBBER MOUNT, 10.8 ID X 9 TALL
40	0H0958	1	ASSY GAS CAP SEALED - CHROME
41	0H1326	1	FILTER, FUEL
42	0H9005A	1	FUEL GAUGE 150LG
43	0J0974	1	VALVE FUEL SHUTOFF
44	048031G	3	CLAMP HOSE BAND .41
45	0G9757E	1	FUEL HOSE 4 ID X 8 OD X 250MM
46	0G9449	1	BATTERY 12V10AH SEALED
47	0H3535	2	NUT FLANGE M5-0.8 NYLOCK
48	052618	4	SCREW HHC M5-0.8 X 12 C8.8
49	0742600198	1	WIRE ASSY 8GA 11" RED
50	0G6392	2	BOOT, VINYL STARTER-SOLENOID
51	0742600199	1	WIRE ASSY 8GA 17" BLACK
52	0H9763B	1	ASSY MUFFLER GP 7.5KW
53	G039253	4	SCREW HHC M8-1.25 X 20 C8.8
54	0G8542	1	BRACKET, MUFFLER 389CC
55	0K0755	1	ALT 7500W ALUMINUM BRUSH TYPE
56	G049815	3	SCREW HHC M5-0.8 X 16 G8.8
57	G049226	2	WASHER LOCK M5
58	0H0919	1	ASSEMBLY, BRUSH VISION
59	048031C	1	CLAMP HOSE BAND .50
60	G022129	6	WASHER LOCK M8-5/16
61	G022145	4	WASHER FLAT 5/16-M8 ZINC
62	0G9028	1	GASKET, EXHAUST, 389CC
63	G042909	2	SCREW HHC M8-1.25 X 30 C8.8
64	0H2579B	1	AVR 5.5-7.5KW ALT
65	G051713	3	WASHER FLAT M5

**EXPLODED VIEW: EV GP7500E**

**DRAWING #:0L0600**

# **GROUP EV**

<b>ITEM</b>	<b>PART#</b>	<b>QTY.</b>	<b>DESCRIPTION</b>
66	0G0919	1	SCREW HHFCS M6-1 X 12 G8.8
67	0K3857	1	SPARK ARRESTOR ASSY USFS



**EXPLODED VIEW: EV GP7500E CONTROL PANEL****DRAWING #: 0L1692****GROUP EV**

<b>ITEM</b>	<b>PART#</b>	<b>QTY.</b>	<b>DESCRIPTION</b>
1	0K8861	1	WLDMNT FACE PLATE GP7500E CSA
2	0K3130	4	SCREW PPPH M5-0.8 X 16 BZC
3	0G8758	1	OUTLET 30A 120/250V SPCGR
4	077043U	2.2FT	CONDUIT FLEX 1/2"
5	0E6480	6	NUT HEX LOCK M4-0.7 NY INS
6	0J0251	1	SW START-RUN-STOP GP
7	0G9392	2	COVER, 20A 120V GFCI/DUPLEX
8	0G9756A	1	RECPTACLE PANEL STORM-GEN ES
9	0H0265C	2	CB 20A 1P CUL/CSA
10	0A5489	2	SNAP BUSHING.75 OPEN
11	0G9391	1	COVER,30A 120/240V
12	081797	4	WASHER LOCK #6 SS
13	0G9023C	1	CB 0030A 2P 240V C AA2 QT
14	036900	4	SCREW PPHM #6-32 X 1/4
15	0J4959	1	ASSY 12VDC CHARGER INPUT GP
16	0F5883A	4	WASHER FLAT M3.5 BLACK
17	0D4966	2	OUTLET 20A 120V GFCI GF20BK
18	043180	6	WASHER FLAT M4
19	0G8321	1	HOUR METER W/ALERTS AC/DC