



SERVICE PARTS LIST

BUL. 54-08-1075

1/2" ELECTRIC DRILL

REVISED BUL 54-08-1075 DATE Feb. '70

Catalog No. 1000-1

Starting Serial No. **126-20101**

WIRING INSTR. **58-01-0210**

Both Model and Serial No. must be furnished to obtain correct parts.

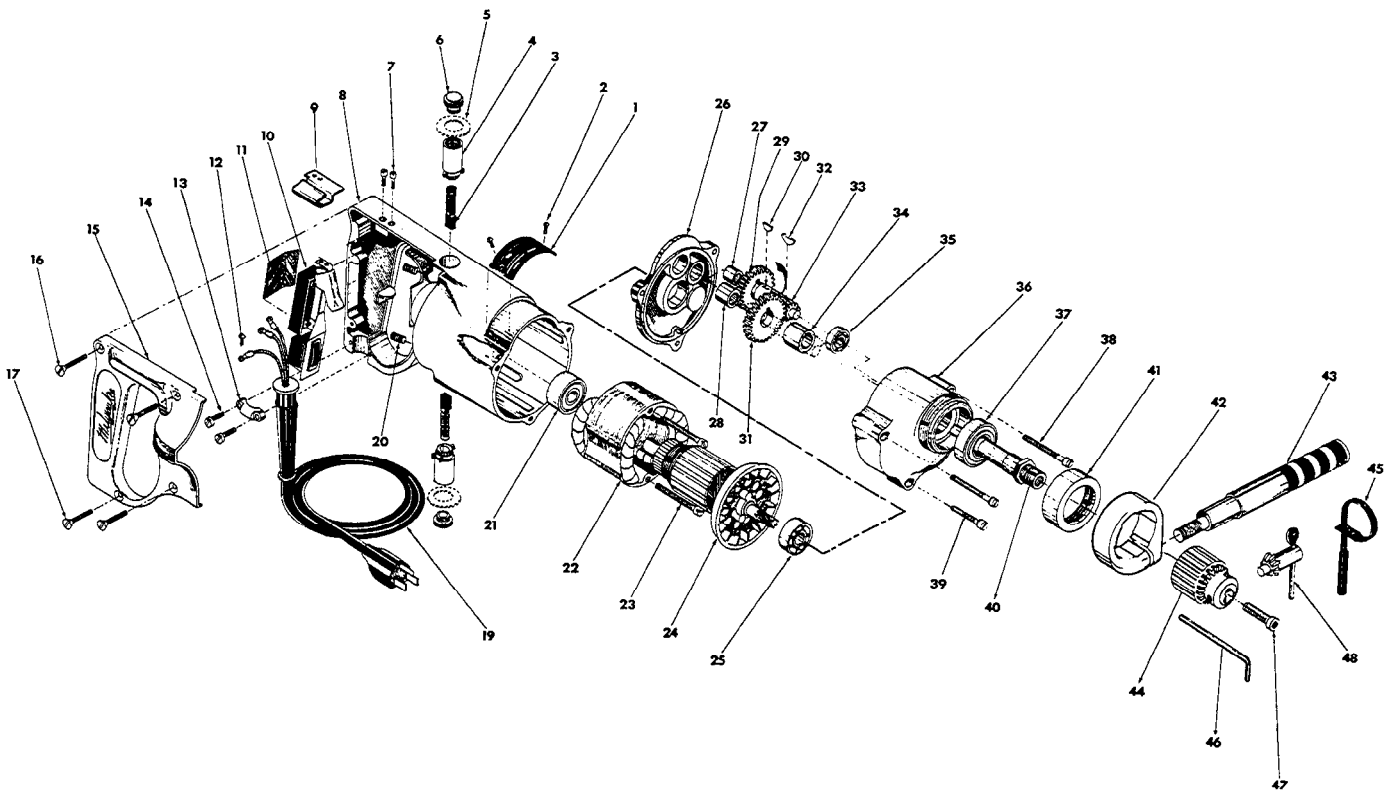


FIG.	PART NO.	DESCRIPTION OF PART	NO.REQ.	FIG.	PART NO.	DESCRIPTION OF PART	NO.REQ.
	1	12-98-0800 Name Plate		25	02-04-0940	Ball Bearing (Pinion End)	
★	2	06-77-0625 6x1/4 Rd. Driv-In Screw	(2)	26	28-28-0581	Diaphragm	
	3	22-18-0100 Carbon Brush Assy.	(2)	27	02-50-1640	Needle Bearing	
	4	22-22-0080 Brush Holder Assy.	(2)	28	02-50-2110	Needle Bearing	
	5	23-86-0110 Brush Holder Insul. Washer	(2)	29	32-40-1241	Intermediate Gear	
	6	23-44-0060 Brush Retaining Screw	(2)	30	06-42-0800	Woodruff Key	
	7	06-81-5800 6-32x5/16 Fil. Hd. Sem Sw. Mtg. Scrs.	(2)	31	32-75-1601	Spindle Gear	
	8	28-50-4488 Motor Housing Assy. (Incl. Items 15, 16&17)		32	06-42-1600	Woodruff Key	
★	9	42-68-0225 Wire Clamp		33	36-66-2001	Intermediate Pinion Shaft	
	10	23-66-0485 Switch		34	45-36-0210	Spindle Gear Spacer	
	11	23-16-0340 Switch Insulator		35	02-04-0640	Ball Bearing	
	12	06-81-8625 6-32x1/4 Rd. Hd. Sem (Brass) Ground Scr.		36	28-14-0681	Gear Case	
	13	28-17-0400 Cord Clamp		37	02-04-1560	Ball Bearing	
	14	06-81-6150 8-32x1/2 Fil. Hd. Sem Cord Clamp Scr.	(2)	38	06-81-6650	8-32x1-3/4 Fil. Hd. Sem Gear Case Scrs.	(2)
	15	28-20-3601 Handle Cover		39	06-81-6350	8-32x1 Fil. Hd. Sem Gear Case Scr.	
	16	06-81-3750 8-32x1 Oval Hd. Handle Cover Scrs.	(2)	40	38-50-3651	Spindle	
	17	06-81-3700 8-32x7/8 Oval Hd. Handle Cover Scrs.	(2)	41	42-52-0071	Bearing Cap	
	19	22-64-0380 Cord Set		★	42	28-82-0130 Handle Ring	
	20	06-83-2650 1/4-20x3/8 Hd'less Brush Holder Set Scrs.	(2)	43	43-62-0160	Handle	
	21	02-04-0970 Ball Bearing (Comm. End)		44	48-66-1360	Chuck	
	22	18-42-1141 Field Assy.		45	48-66-4040	Key Holder	
	23	06-81-6600 8-32x1-3/4 Fil. Hd. Sem Field Scrs.	(2)	46	49-96-0080	Socket Wrench	
★	24	16-42-1040 Armature Assy.		47	06-75-3150	1/4-20x1 L.H. Allen Hd. Chuck Scr.	
				48	48-66-3280	Chuck Key	

NOTE
To Order Replacement Jaw and Nut Unit For Chuck, Order Part No. 43-90-0160