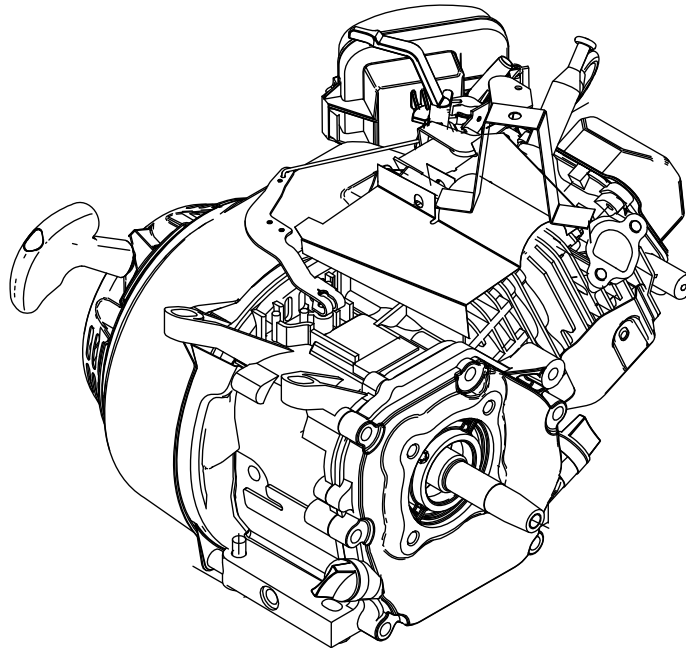


208cc Gasoline Engine EPA (G24)

Parts Manual



NOTICE!

The information in this manual is known to be accurate as of the date of release shown on the cover. However, engineering changes can occur without notice. To obtain the proper parts, please be sure to use the serial number of the unit being serviced when ordering from this manual. Always refer to any parts notes and changes before ordering. All other parts not shown in this manual can be found on Generac's exploded view drawings online on GENservice at www.generac.com.

www.generac.com or 1-888-GENERAC (1-888-436-3722)



000845

Item	Part No.	Description	Qty.
1	0H33750125	BOLT (M8X33.5)	6
2	0H33750112	OIL SEAL (B2541)	2
3	0K95520123	CRANKCASE COVER	1
4	0H33750120	OIL DIPSTICK ASSEMBLY	2
5	0H33750122	CRANKCASE GASKET	1
6	0H33750124	DOWEL PIN (M8X14)	2
7	0K95520124	BEARING (6205)	2
8	0H33750154	CAMSHAFT ASSEMBLY	1
9	0H33750153	CRANKSHAFT ASSEMBLY	1
10	0H33750117	REGULATING SHAFT	1
11	0H33750118	SNAP RING	1
12	0H33750279	SPEED GOVERNING GEAR	1
13	0H33750280	GOVERNOR ARM SHAFT WASHER	2
14	0H33750281	GOVERNOR SPOOL	1
15	0H33750149	PISTON PIN CIRCLIP	2
16	0H33750152	CONNECTING ROD ASSEMBLY	1
17	0H33750151	PISTON PIN	1
18	0K95520125	PISTON	1
19	0K95520111	PISTON RING SET	1
20	0H33750165	LOW OIL SENSOR	1
21	0H33750167	BOLT (M6X22)	3
22	0H33750110	OIL DRAIN BOLT (M10X15)	2
23	0H33750111	OIL DRAIN BOLT GASKET	2
24	0K95520112	CRANKCASE	1
25	0H33750142	VALVE TAPPET	2
26	0H33750143	PUSHROD	2
27	0H33750136	STUD (M8X34)	2
28	0H33750126	BOLT (M6X12)	16
29	0K95520113	SHROUD	1
30	0H33750130	PUSH GUIDE ASSEMBLY	1
31	0H33750129	VALVE ROCKER ASSEMBLY	2
32	0H33750128	CYLINDER HEAD COVER GASKET	1
33	0H33750127	CYLINDER HEAD COVER	1
34	0H33750131	CAP	1

Item	Part No.	Description	Qty.
35	0H33750133	INTAKE SPRING SEAT	1
36	0H33750132	EXHAUST SPRING SEAT	1
37	0H33750134	VALVE SPRING	2
38	0H33750146	PIPE OIL SEAL	1
39	0H3375A123	BOLT (M8X60)	4
40	0H33750169	SPARK PLUG	1
41	0K95520114	CYLINDER HEAD	1
42	0J08180132	EXHAUST VALVE	1
43	0J08180133	INTAKE VALVE	1
44	0J5628H111	CYLINDER HEAD GASKET	1
45	0H33750139	DOWEL PIN (10X16)	2
46	0H33750155	FLYWHEEL	1
47	0H33750156	FLYWHEEL FAN	1
48	0H33750168	IGNITION COIL	1
49	0J9480A111	STARTING FLANGE	1
50	0H33750158	NUT (M14X1.5)	1
51	0J9480A112	BLOWER HOUSING	1
52	0K95520120	AIR CLEANER BRAKE	1
53	0K68130112	RECOIL STARTER	1
54	0K95520118	STUD (M6X91)	2
55	0H33750175	INTAKE GASKET	1
56	0H33750176	CARBURETOR CUSHION BLOCK	1
57	0H33750177	CARBURETOR GASKET	1
58	0K95520119	CARBURETOR ASSEMBLY	1
59	0H33750179	AIR CLEANER GASKET	1
60	0K95840114	AIR CLEANER ASSEMBLY	1
61	0H33750163	SHROUD	1
62	0H33750283	OIL LEVEL SWITCH ASSEMBLY	1
63	0H3375A124	BOLT (M6X8)	5
64	0H33750114	GOVERNOR ARM SHAFT	1
65	0H33750115	WASHER	1
66	0H33750116	SPLIT PIN	1
67	0H33750185	REGULATING ARM	1
68	0H33750184	LOCK BOLT	1
69	0H33750171	NUT (M6)	3
70	0H33750181	BACK SPRING	1
71	0H33750182	REGULATING SPRING	1

Item	Part No.	Description	Qty.
72	0H33750183	REGULATING PULLING ROD	1
73	0H33750275	BOLT (M5X30)	1
74	0J08180121	CONTROL SHROUD	1
75	0H33750172	BREATHER TUBE	1
76	0H33750180	REGULATOR ASSEMBLY	1
77	0H33750278	NUT (M5)	1
N/S	0K68130110A	AIR FILTER ELEMENT (NOT SHOWN)	1



Part No. 0K68130PMNL Rev C 09/01/2015 Printed in
USA © Generac Power Systems, Inc. All rights reserved
Specifications are subject to change without notice.
No reproduction allowed in any form without prior written
consent from Generac Power Systems, Inc.

Generac Power Systems, Inc.
S45 W29290 Hwy. 59
Waukesha, WI 53189
1-888-GENERAC (1-888-436-3722)
generac.com