



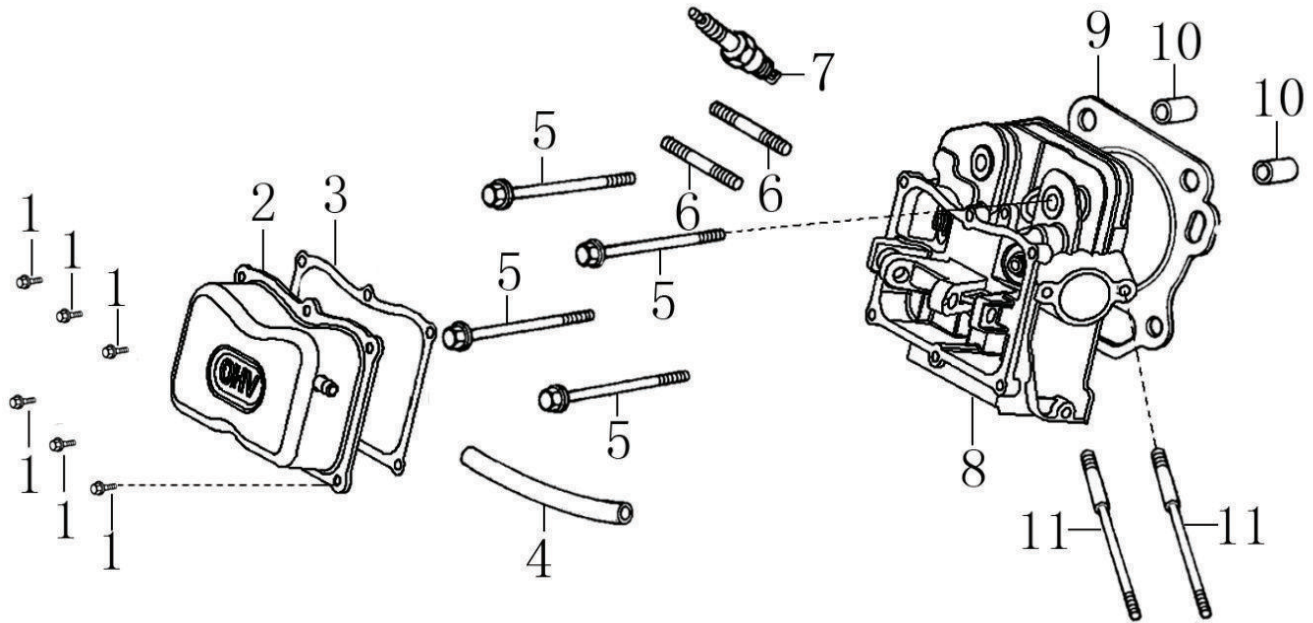
# Engine Parts Manual

## 302cc

### **NOTICE!**

The information in this manual is known to be accurate as of the date of release shown on the cover. However, engineering changes can occur without notice. To obtain the proper parts, please be sure to use the serial number of the unit being serviced when ordering from this manual. Always refer to any parts notes and changes before ordering. All other parts not shown in this manual can be found on Generac's exploded view drawings online on GENservice at [www.generac.com](http://www.generac.com).

Cylinder Head

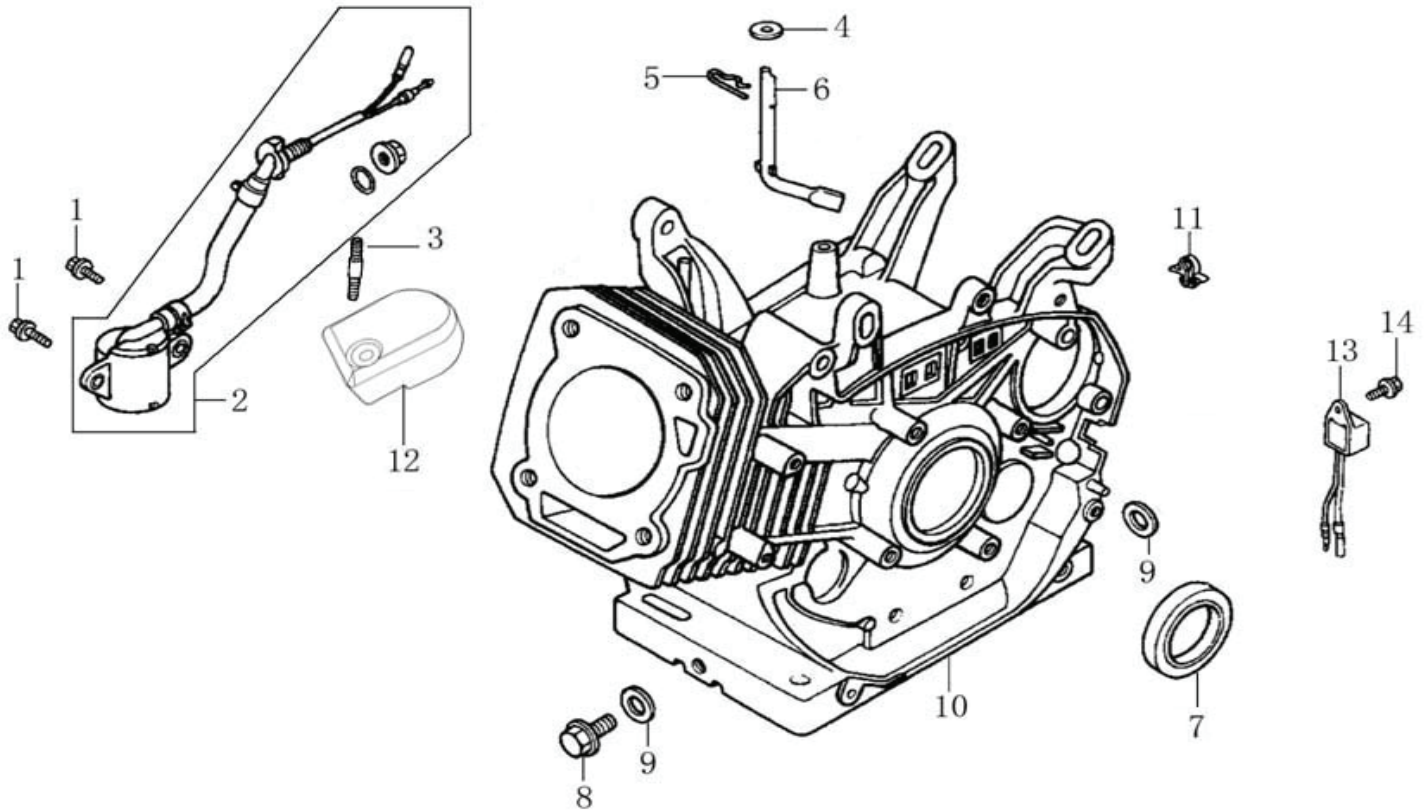


ITEM	PART NO.	QTY.	DESCRIPTION
1	0J35240147	6	BOLT, FLANGE
2	0J39340112	1	COVER, VALVE
3	0J39340113	1	GASKET, VALVE COVER
4	0K22930128	1	TUBE, BREATHER
5	0G84420211	4	BOLT, FLANGE, 10x80
6	0K10450110	2	BOLT, STUD, EXHAUST
7	0J00620106	1	SPARK PLUG
8	0K10450111	1	HEAD, CYLINDER
9	0J35240111	1	GASKET, CYLINDER HEAD
10	0G84420212	2	PIN, DOWEL
11	0K10450112	2	BOLT, STUD, INTAKE

# 302cc ENGINE

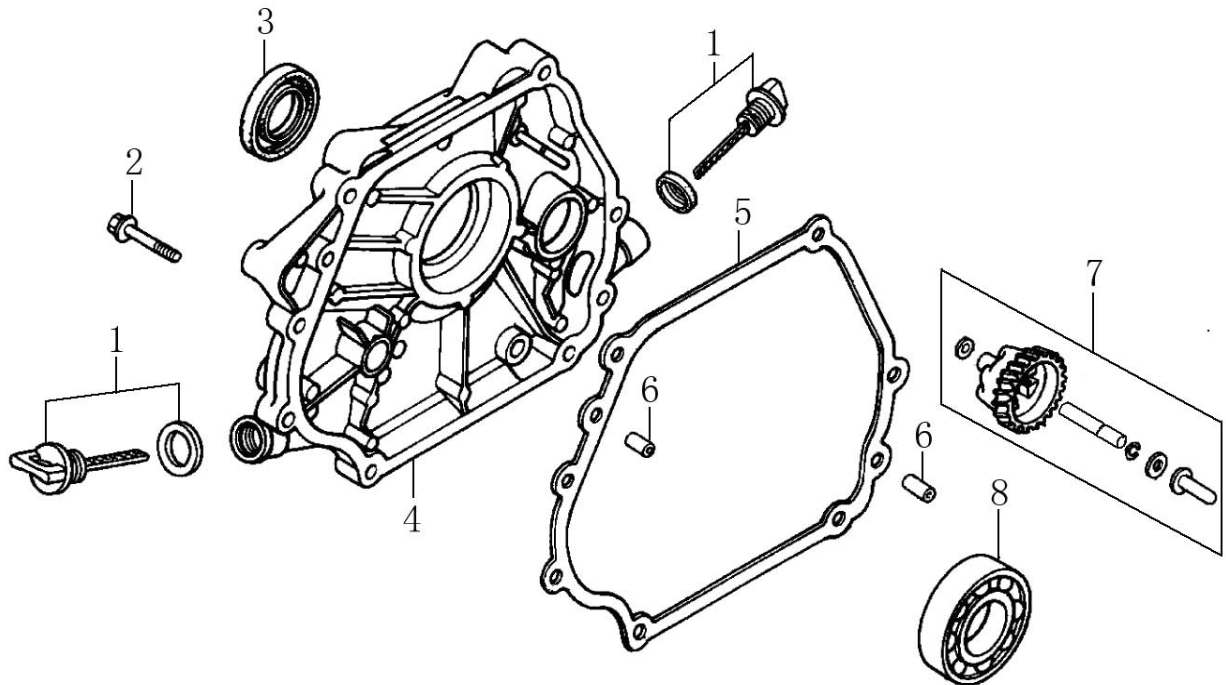


## Crankcase



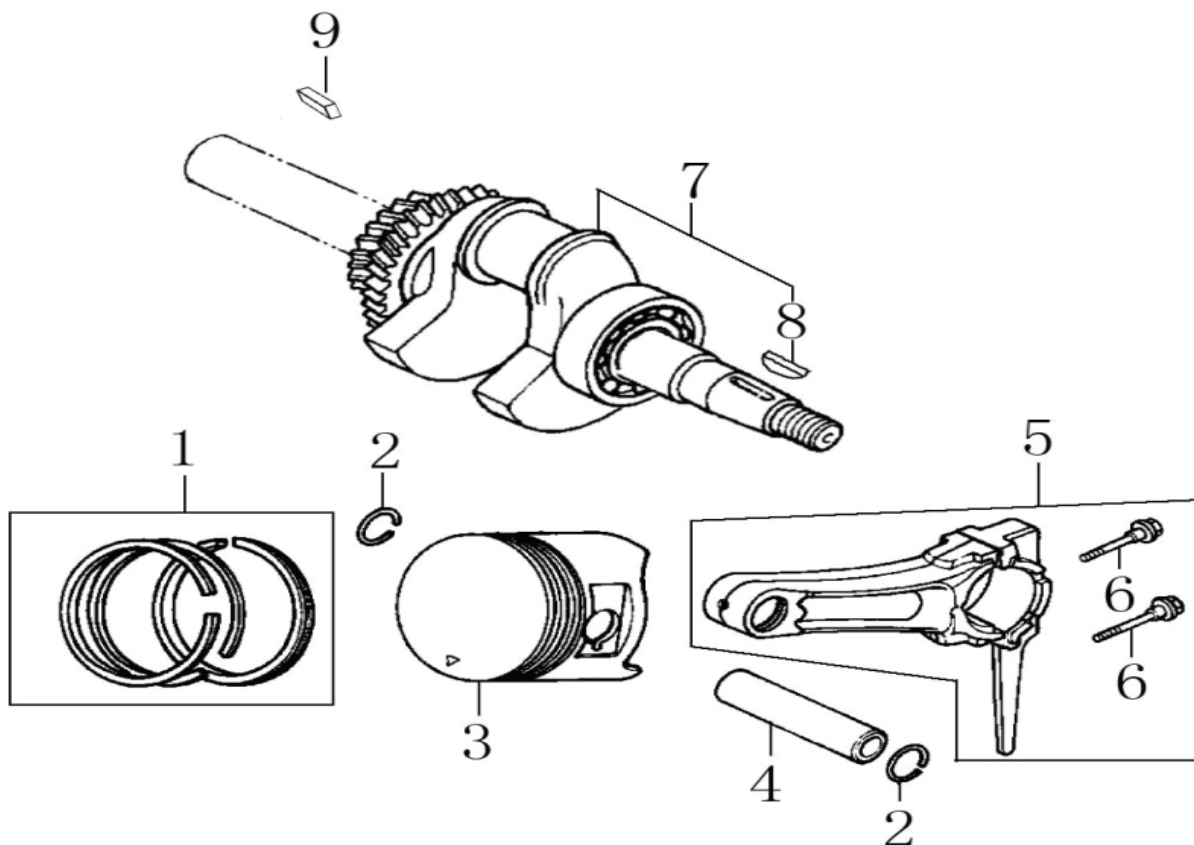
ITEM	PART NO.	QTY.	DESCRIPTION
1	0G84420217	2	BOLT, FLANGE
2	0G84420105	1	SWITCH ASSY., OIL LEVEL
3	0J35220160	1	BOLT, STUD, EXHAUST
4	0G84420218	1	WASHER, 8*16*1.2
5	0G84420219	1	PIN, LOCK, 10MM
6	0K10450113	1	SHAFT, GOVERNOR ARM
7	0J35240155	1	OIL SEAL 30×46×8
8	0G84420110	2	BOLT, DRAIN PLUG
9	0G84420109	2	WASHER, DRAIN PLUG, 12MM
10	0K10450114	1	CRANKCASE
11	0K22930129	1	HOLDER, STOP SWITCH
12	0K10450115	1	COVER, WIRE
13	0G84420112	1	ALERT UNIT, OIL
14	0G84420194	1	BOLT, FLANGE, 6×12

Crankcase Cover



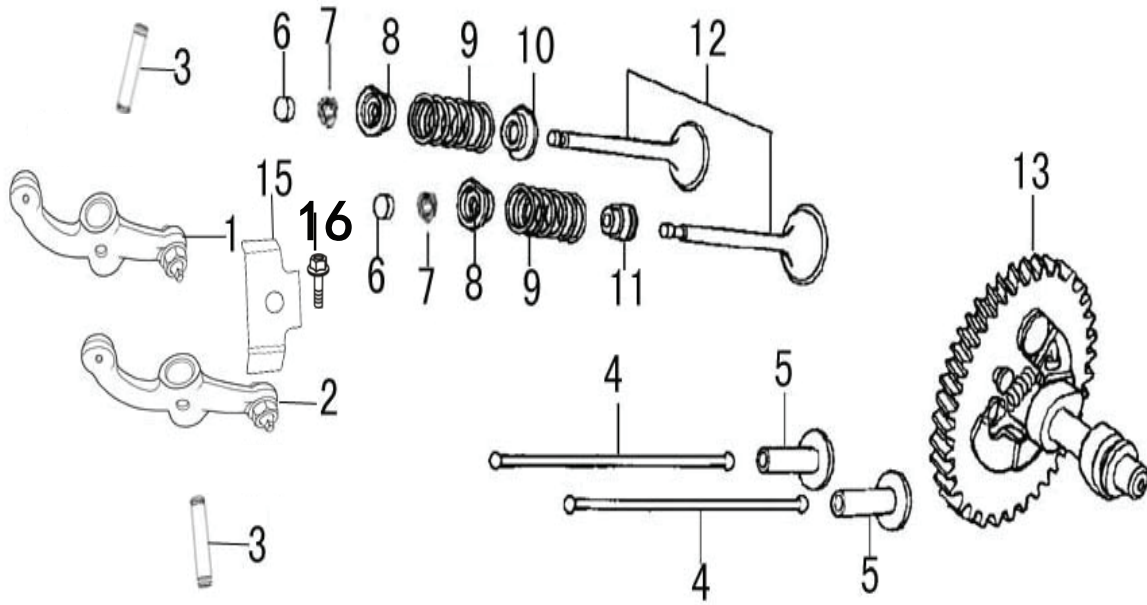
ITEM	PART NO.	QTY.	DESCRIPTION
1	0J35250110	2	CAP ASSY., DIP STICK/WASHER
2	0H98380103	7	BOLT, FLANGE 8X35
3	0J35240155	1	OIL SEAL 30x46x8
4	0K10450116	1	CRANKCASE COVER
5	0K10450117	1	GASKET, CRANKCASE COVER
6	0G84420228	2	DOWEL PIN 8x12
7	0K10450118	1	GOVERNOR KIT
8	0K10450119	1	BALL BEARING 6206

## Crankshaft and Piston



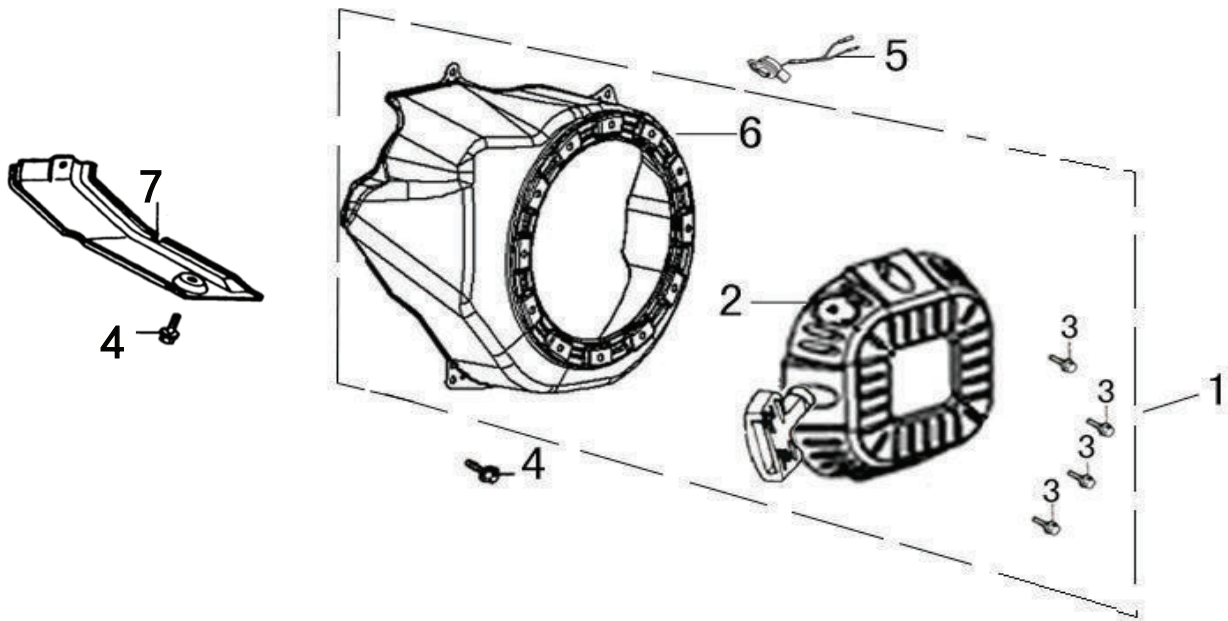
ITEM	PART NO.	QTY.	DESCRIPTION
1	OK10450120	1	RING SET, PISTON
2	OJ47870127	2	CLIP, PISTON PIN
3	OK10450121	1	PISTON
4	OK10450122	1	PIN, PISTON
5	OK10450123	1	ROD ASSY., CONNECTING
6	OG84420236	2	BOLT, CONNECTING ROD
7	OK10450124	1	CRANKSHAFT ASSY
8	OG84420119	1	KEY, SPECIAL WOODRUFF
9	OK22930117	1	KEY, CRANKSHAFT

Rocker and Camshaft



ITEM	PART NO.	QTY.	DESCRIPTION
1	0J39430124	1	ROCKER ARM ASSY.
2	0J39430125	1	ROCKER ARM ASSY.
3	0K10450125	2	VALVE ROCKER SHAFT
4	0K10450126	2	PUSH ROD
5	0G84420174	2	LIFTER, VALVE
6	0G84420122	2	ROTATOR, VALVE
7	0G84420239	4	KEEPER, VALVE
8	0G84420123	2	RETAINER, VALVE SPRING
9	0G84420124	2	SPRING, VALVE
10	0G84420125	1	SEAT, VALVE SPRING
11	0G84420128	1	SEAL, VALVE STEM
12	0K10450127	1	VALVE ASSY.
13	0K10450128	1	CAMSHAFT ASSY
15	0K10450129	1	RETAINER, ROCKER ARM SHAFT
16	0G84420194	1	BOLT, FLANGE 6x12

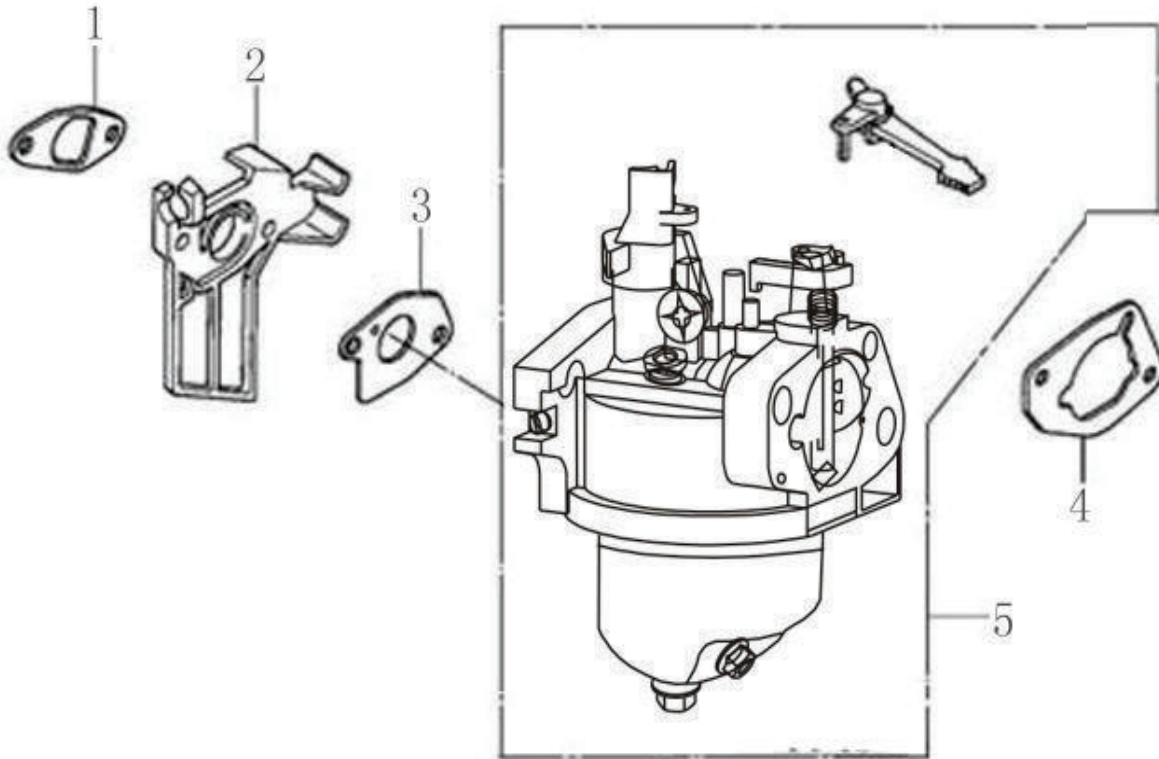
## Starter



ITEM	PART NO.	QTY.	DESCRIPTION
1	0K10450130	1	STARTER, RECOIL W/HOUSING
2	0K10450145	1	STARTER ASSY., RECOIL
3	0G84420241	4	BOLT,FLANGE 6x8
4	0G84420194	5	BOLT,FLANGE 6x12
5	0G9911	1	SWITCH ASSY.,ENGINE STOP
6	0K10450132	1	HOUSING, FAN BLOWER
7	0K10450133	1	SHROUD



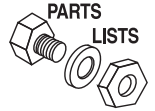
Carburetor



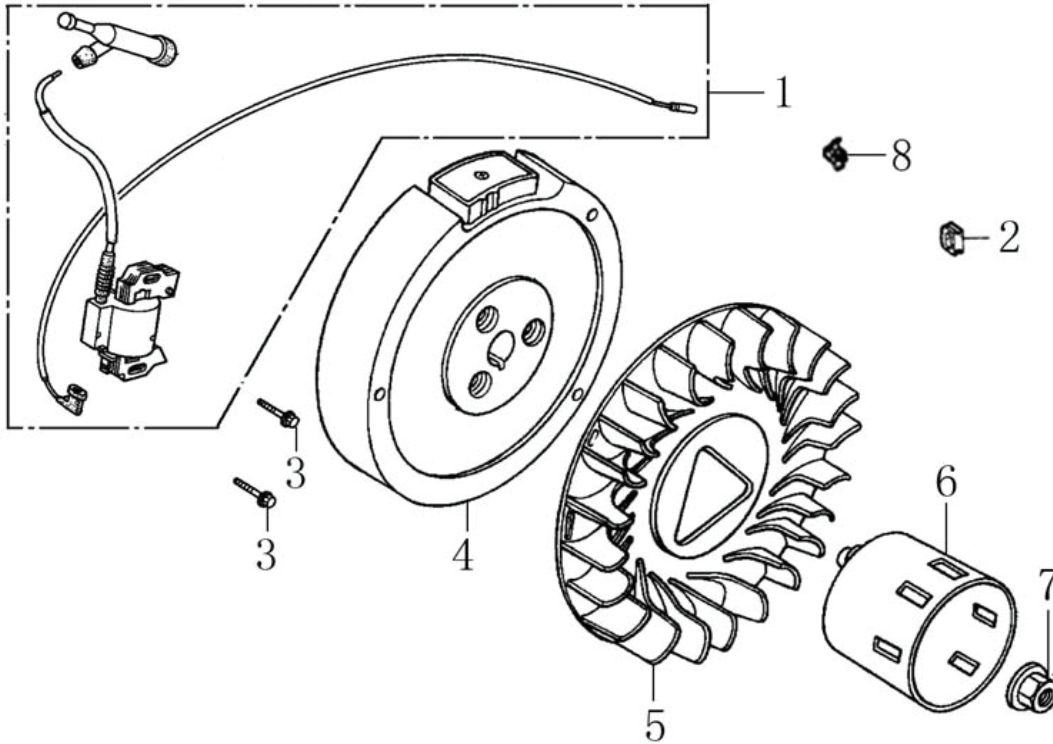
ITEM	PART NO.	QTY.	DESCRIPTION
1	0J35240120	1	GASKET, CARBURETOR
2	0K10450134	1	INSULATOR, CARBURETOR
3	0K10450135	1	GASKET, INSULATOR
4	0G84420156	1	GASKET, AIR CLEANER
5	0K10450136	1	CARBURETOR



# 302cc ENGINE

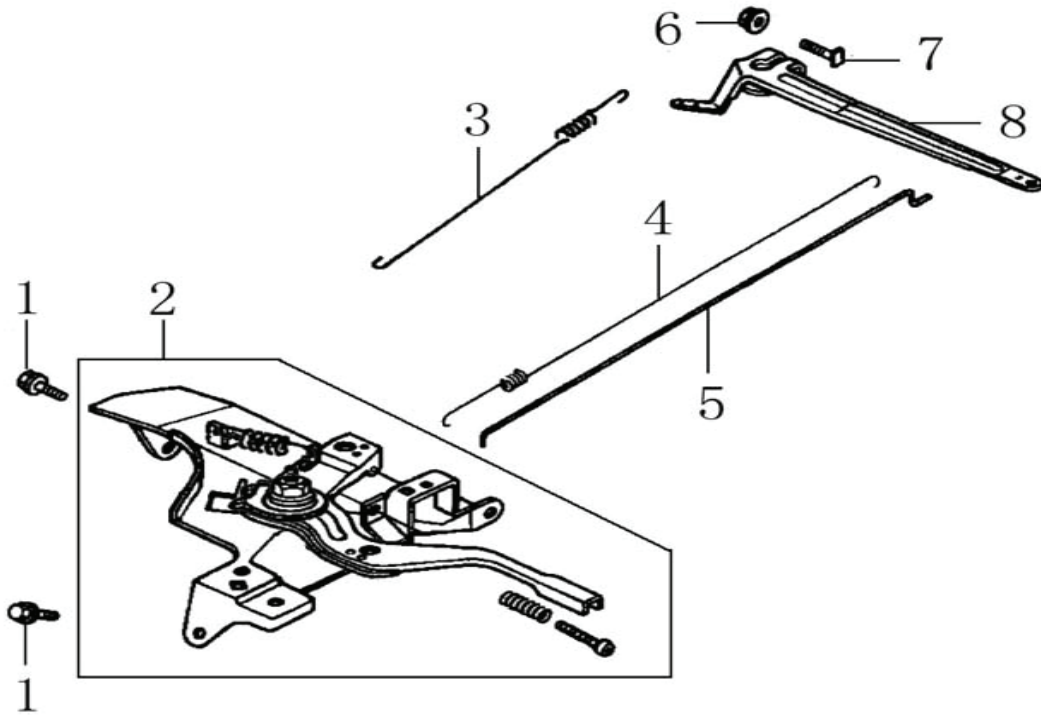


## Flywheel and Ignition



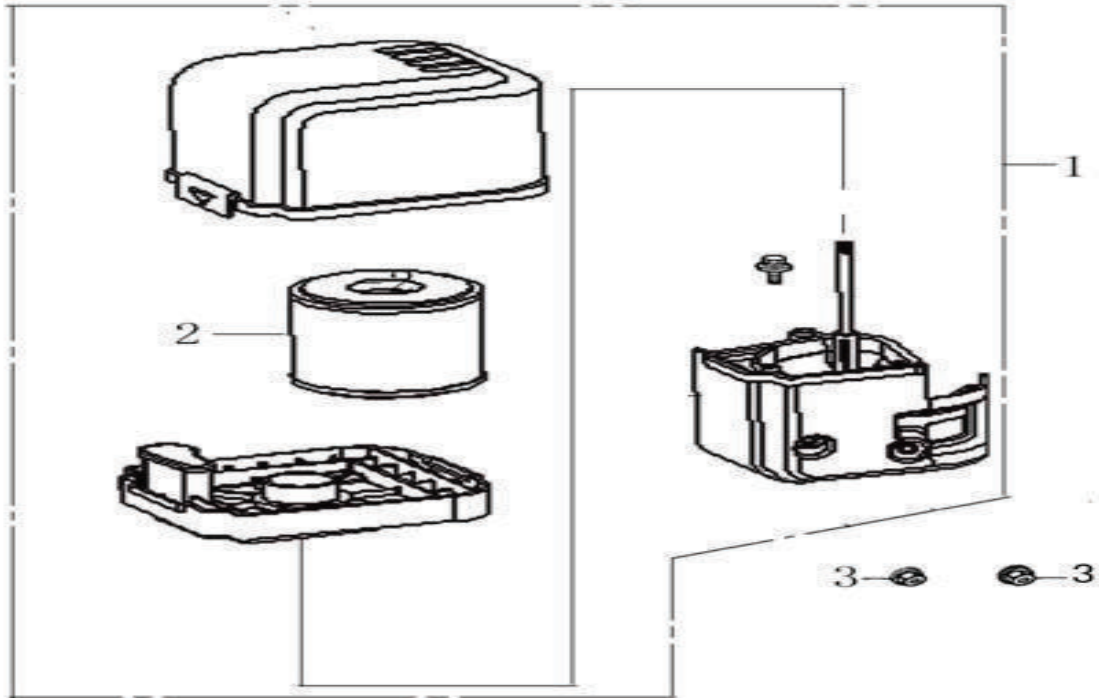
ITEM	PART NO.	QTY.	DESCRIPTION
1	0J35240143	1	COIL ASSY., IGNITION
2	0G84420267	1	GROMMET, CORD
3	0G84420268	2	BOLT, FLANGE, M6X25
4	0J35240142	1	FLYWHEEL
5	0J35240116	1	FAN, COOLING
6	0J35240141	1	PULLEY, STARTER
7	0G84420149	1	NUT, SPECIAL, 16MM
8	0J35220172	1	HOLDER, STOP SWITCH

Control



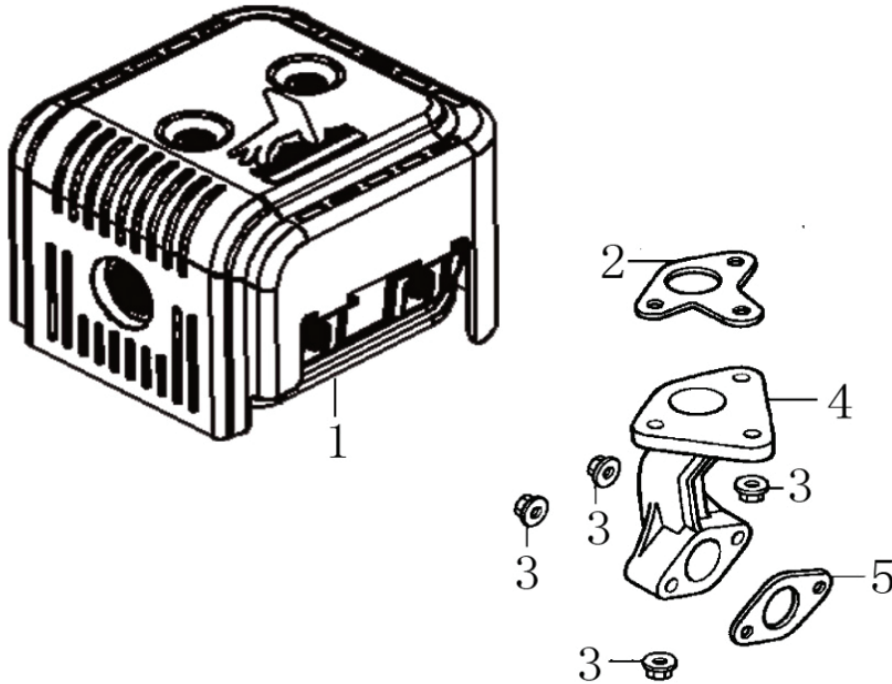
ITEM	PART NO.	QTY.	DESCRIPTION
1	0G84420194	2	BOLT, FLANGE 6 X 12
2	0K10450137	1	CONTROL ASSY.
3	0K10450138	1	SPRING, CABLE RETURN
4	0J39430132	1	SPRING, THROTTLE RETURN
5	0K45100110	1	ROD, GOVERNOR
6	0H58410171	1	NUT, FLANGE M6
7	0G84420197	1	BOLT, QUADRATE HEAD
8	0J35240127	1	ARM, GOVERNOR

## Air Cleaner



ITEM	PART NO.	QTY.	DESCRIPTION
1	0K10450140	1	AIR CLEANER ASSY
2	0K10450141	1	ELEMENT, AIR CLEANER
3	0G84420272	2	NUT, FLANGE, M6

Muffler

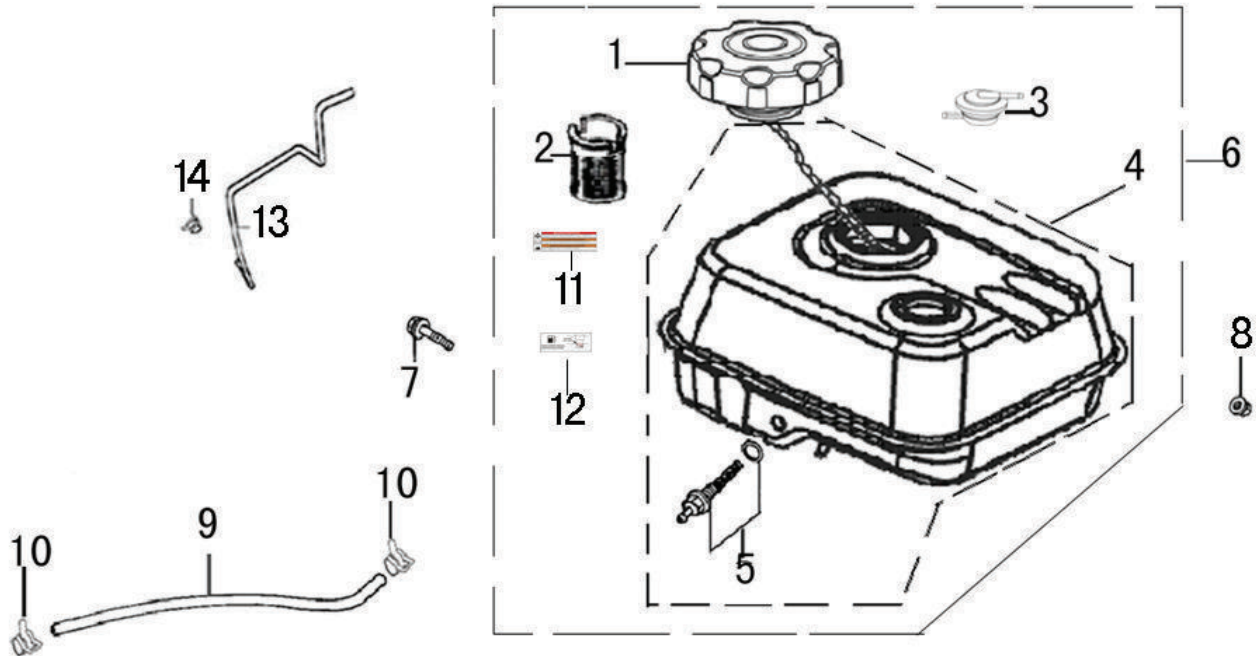


ITEM	PART NO.	QTY.	DESCRIPTION
1	0K10450142	1	MUFFLER ASSY.
2	0K22930123	1	GASKET, EXH. PIPE
3	0J35220161	5	NUT, HEX ., M8
4	0K22930122	1	MANIFOLD, EXHAUST
5	0G9028	1	GASKET, MUFFLER

# 302cc ENGINE



## Fuel Tank



ITEM	PART NO.	QTY.	DESCRIPTION
1	0J88870127	1	CAP COMP., FUEL FILLER
2	0J35220133	1	FILTER, FUEL
3	0J88870128	1	GAS VALVE, FUEL TANK
4	0K31330116	1	TANK COMP., FUEL
5	0J35220132	1	JOINT ASSY., FUEL TANK
6	0K22930130	1	TANK ASSY., FUEL
7	0G84420201	2	BOLT, FLANGE , 8x25
8	0K22930127	2	NUT, FLANGE
9	0G9757D	1	TUBE, FUEL
10	0J88870130	2	CLAMP
11	NA	1	WARNING MARK
12	NA	1	REMINDER MARK
13	0K10450144	1	HOSE, FUEL
14	0J88870132	1	CLAMP