



SERVICE PARTS LIST

BUL. 54-08-9031

3/8" ELECTRIC DRILL

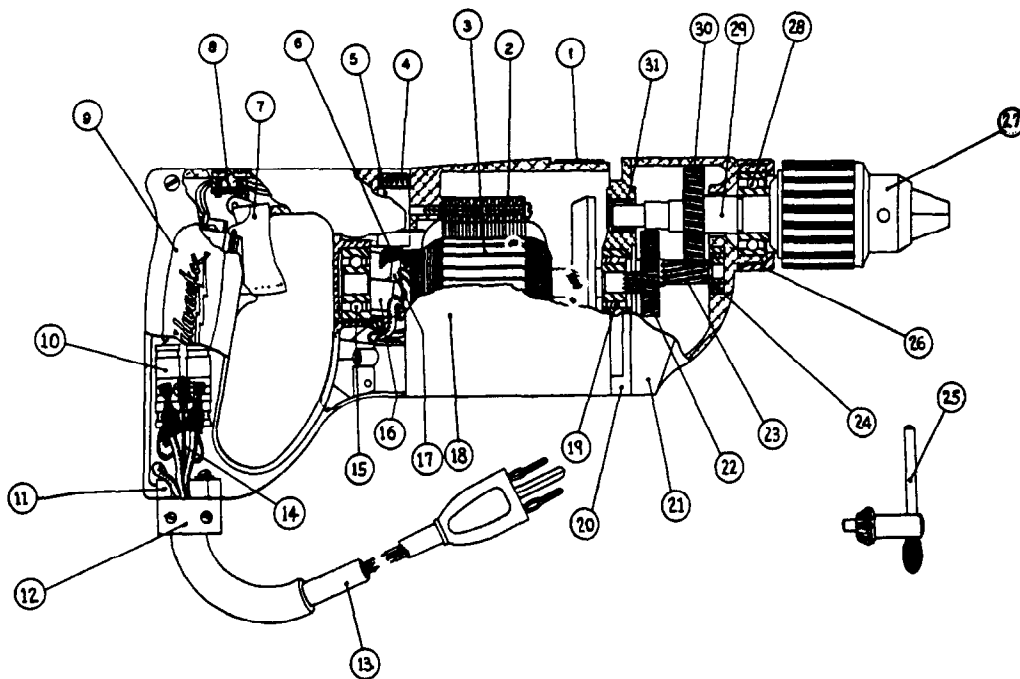
REVISED BUL. 6331-2 DATE FEB. '68

Catalog No. 0890-8

Starting Serial No. 331-1285

WIRING INSTR.

Both Model and Serial No. must be furnished to obtain correct parts.



ILLUSTRATED PARTS

FIG.	PART NO.	DESCRIPTION OF PART
1	12-15-5375	Name Plate (Dwg. No. 2)
2	18-42-1050	Field Assembly
3	16-42-1196	Armature Assembly
4	23-44-0060	Brush Retaining Screw (2)
5	22-22-0080	Brush Holder Assembly (2)
6	22-18-0100	Carbon Brush Assembly (2)
7	23-66-0230	Switch
8	45-36-0110	Switch Spacer
9	28-20-3141	Handle Cover
10	22-33-6460	Capacitors (.01 MFD) (2)
11	42-30-0060	Cord Clamp Body
12	42-68-0100	Cord Clamp
13	22-64-0240	Cord Set
14	42-36-0390	Mtg. Bracket
15	02-04-0970	Ball Bearing (Comm. End)
16	22-33-3450	R.H. Capacitor (.1 MFD)

FIG.	PART NO.	DESCRIPTION OF PART
17	22-33-3460	L.H. Capacitor (.1 MFD)
18	28-50-4491	Motor Housing
19	02-04-0940	Ball Bearing (Pinion End)
20	28-28-0581	Diaphragm
21	28-14-0681	Gear Case
22	32-40-1241	Intermediate Gear
23	36-66-2701	Intermediate Pinion Shaft
24	02-04-0640	Ball Bearing
25	48-66-3280	Chuck Key
26	42-52-0071	Bearing Cap
27	48-66-0840	Chuck (1/2-20 thread)
28	02-04-1560	Ball Bearing
29	38-50-2551	Spindle
30	32-75-2001	Spindle Gear
31	02-50-2110	Needle Bearing

MISCELLANEOUS PARTS NOT SHOWN

PART NO.	DESCRIPTION OF PART
02-50-1640	Needle Bearing
43-62-0161	Handle
44-90-0130	Handle Ring
06-42-0800	Woodruff Keys (3)
06-81-8400	4-40x1/4 Rd.Hd. Name Plate Screws (2)
06-81-5800	6-32x5/16 Fil.Hd. Switch Mtg. Screws (2)
23-86-0110	Brush Holder Insulator Washer (2)
23-16-0085	Switch Insulator
06-81-8650	6-32x1/4 Rd. Hd. Screw
06-97-1800	Washers (6)
16-81-0110	6-32x5/16 Bind.Hd. Screw (3)

PART NO.	DESCRIPTION OF PART
42-36-0400	Mtg. Bracket
06-81-8625	6-32x1/4 Rd.Hd. Ground Screw (Brass)
06-81-6350	8-32x1 Fil.Hd. Gear Case Screws
06-81-6650	8-32x1-3/4 Fil.Hd. Gear Case Screws (2)
06-81-6600	8-32x1-3/4 Fil.Hd. Field Screws (2)
06-83-2650	1/4-20x3/8 Hd'less Brush Holder Set Scs. (2)
06-81-3700	8-32x7/8 Oval Hd. Handle Cover Screws (4)
48-03-0010	Attachment Plug Adaptor
06-81-0700	6-32x3/4 Fil.Hd. Screw (2)
06-81-3400	6-32x1/4 Oval Hd. Screw (2)
12-98-5100	Warning Plate