



# SERVICE PARTS LIST

**BULLETIN NO.**  
**54-49-0880**

SPECIFY CATALOG NO. AND SERIAL NO. WHEN ORDERING PARTS		REVISED BULLETIN	DATE
<b>M18™ JOBSITE FAN</b>			Jan. 2015
<b>CATALOG NO. 0886-20</b>	<b>SERIAL NUMBER G47A</b>	WIRING INSTRUCTION	

00  
0

**EXAMPLE:**  
Component Parts (Small #) Are Included  
When Ordering The Assembly (Large #).

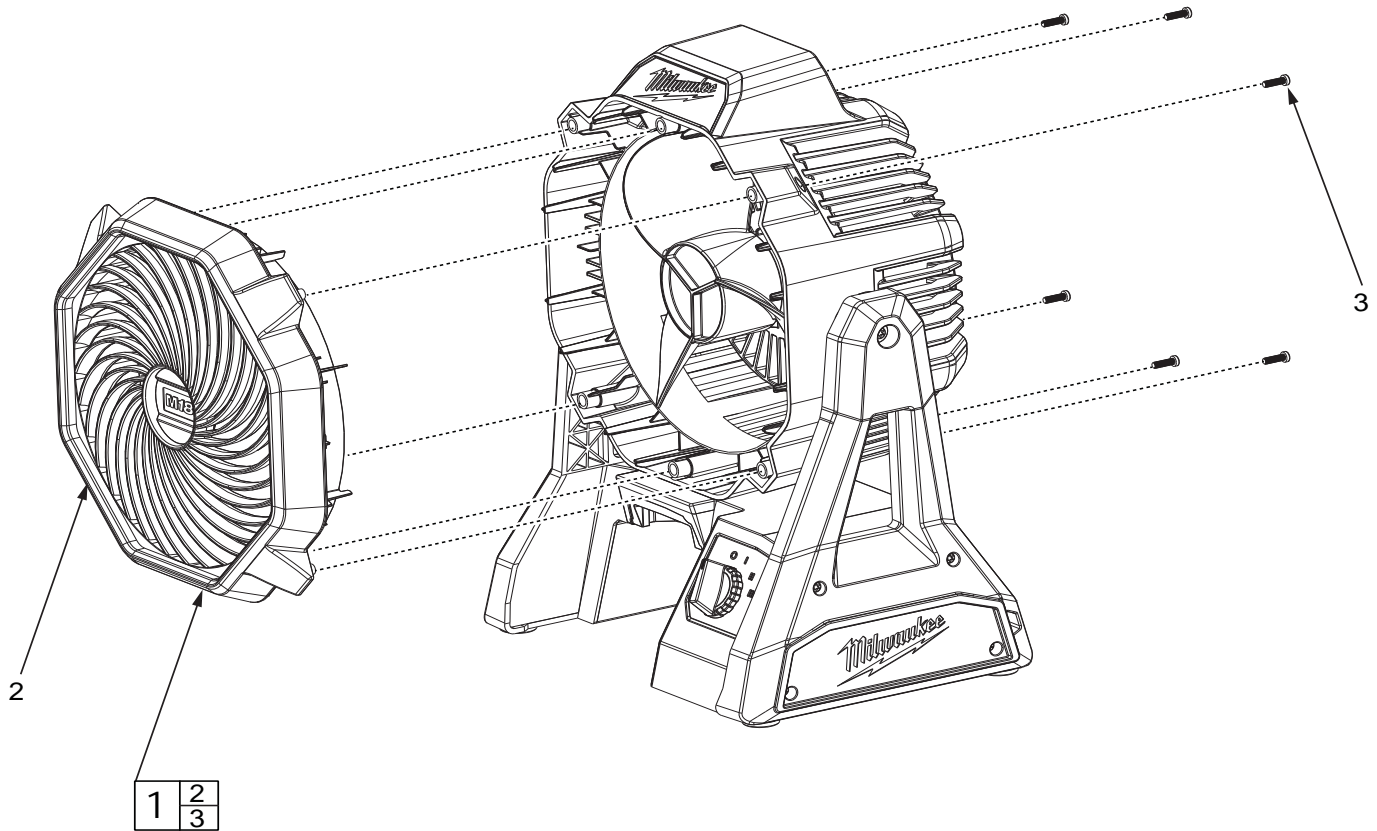


FIG.	PART NO.	DESCRIPTION OF PART
1	43-52-0886	Front Grill with Screws Kit
2	-----	Front Grill
3	-----	M3.5 x 12mm Hex Socket Screw
4	23-81-0701	AC/DC Adapter (Not Shown)
5	12-20-0886	Service Nameplate (Not Shown)

NO. REQ.
(1)
(1)
(6)
(1)
(1)

FIG.	NOTES
3	Hand tighten. Do not use excessive force when installing screws.
5	A clean, dry surface is essential for proper performance for any adhesive system. The area intended for application of any adhesive label or nameplate must be prepared by cleaning with isopropyl alcohol. The solvent is to be applied with a clean, lint free applicator and the surface allowed to dry before applying the label or nameplate.