



# SERVICE PARTS LIST

**BULLETIN NO.**  
**54-26-0880**

SPECIFY CATALOG NO. AND SERIAL NO. WHEN ORDERING PARTS		REVISED BULLETIN	DATE
<b>1/4" Hex Impact Driver</b>			June 2007
CATALOG NO. <b>0881-20</b>	STARTING SERIAL NO. <b>B23A</b>	WIRING INSTRUCTION <b>SEE REVERSE SIDE</b>	

00 0

**EXAMPLE:**  
Component Parts (Small #)  
Are Included When Ordering  
The Assembly (Large #).

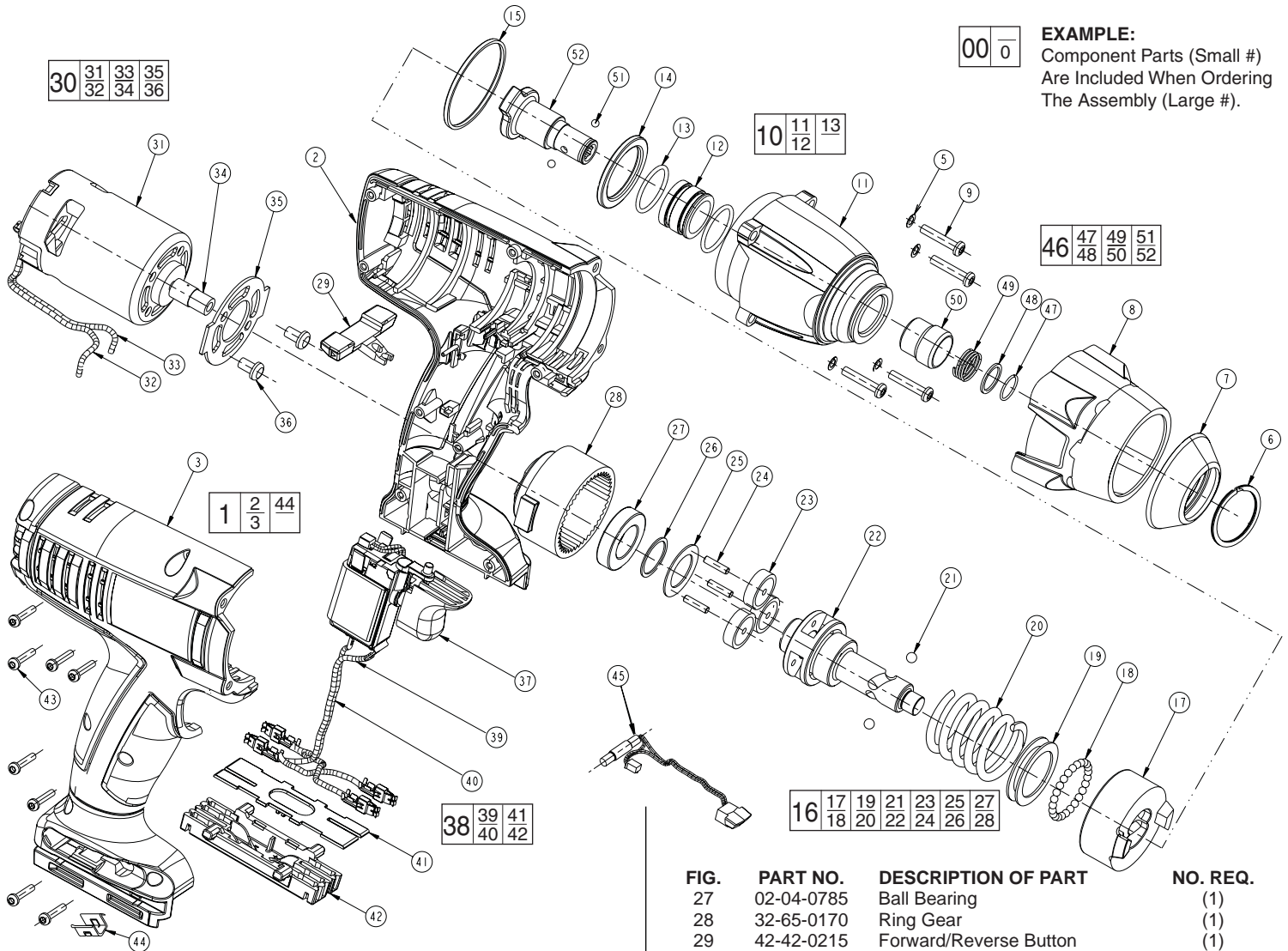
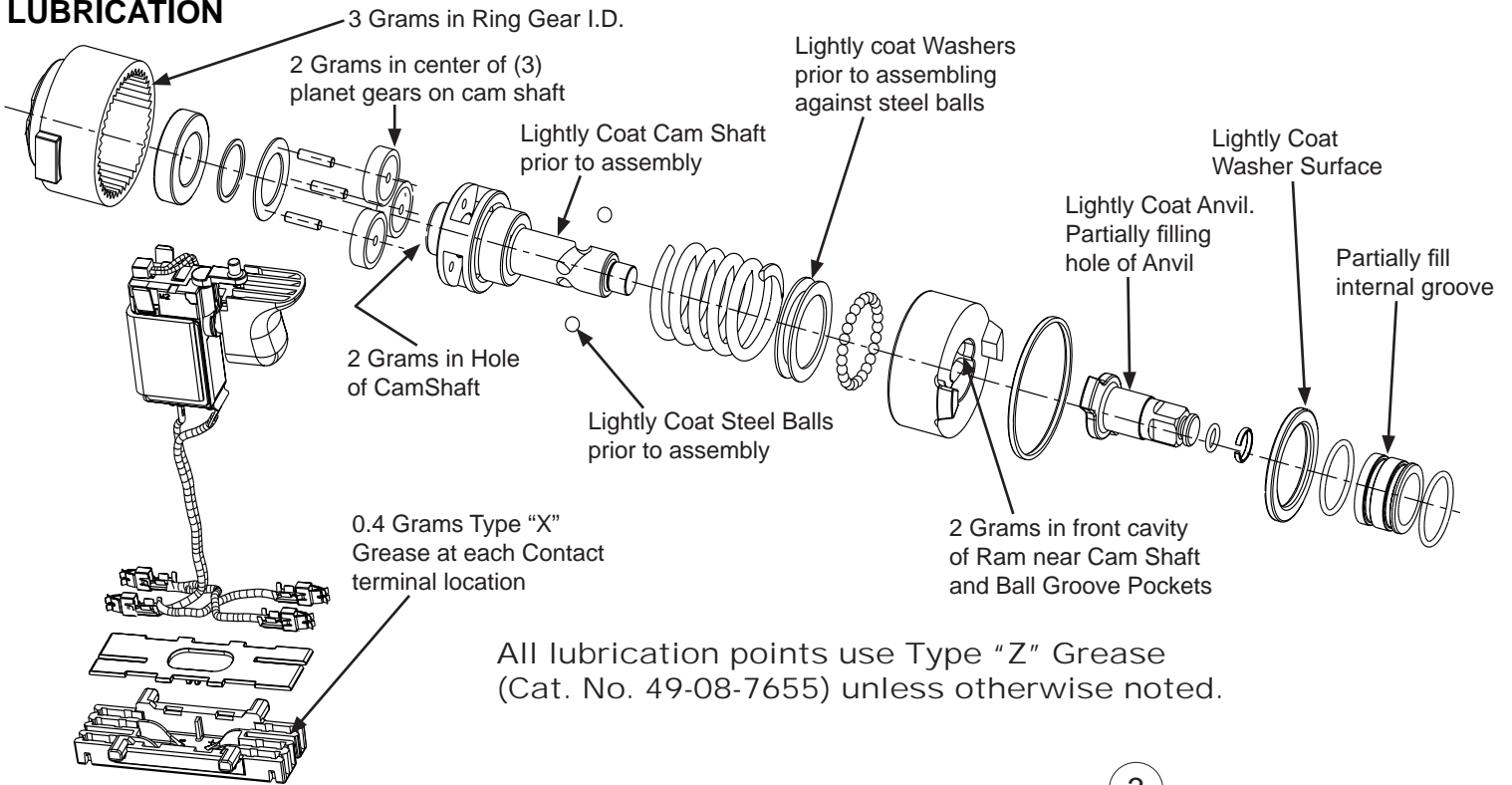


FIG.	PART NO.	DESCRIPTION OF PART	NO. REQ.
1	31-44-1896	Handle Assembly	(1)
2	-----	Left Handle Half	(1)
3	-----	Right Handle Half	(1)
* 5	45-88-1195	Split Lock Washer	(4)
6	34-60-0740	Retaining Ring	(1)
7	31-12-0400	Boot Nut	(1)
8	31-15-0710	Front Housing Cover	(1)
9	06-82-1030	Screw (#8 - 18 x 24 mm)	(4)
10	28-50-0625	Front Housing Assembly	(1)
11	-----	Front Housing	(1)
12	-----	Bushing	(1)
13	-----	O-Ring	(2)
14	45-88-1930	Washer	(1)
15	44-90-0870	O-Ring	(1)
16	14-30-0900	Gear Box Assembly	(1)
17	44-82-0250	Ram	(1)
18	02-02-0170	Ball (3.5 mm Dia.)	(25)
* 19	45-88-1910	Washer	(2)
20	40-50-1460	Compression Spring	(1)
21	02-02-2050	Ball (3/16 "Dia.)	(2)
22	42-50-0400	Cam Shaft	(1)
23	32-62-0350	Planet Gear	(3)
24	44-60-1100	Planet Gear Pin	(3)
25	45-88-1870	Washer	(1)
26	45-88-1920	Washer	(1)

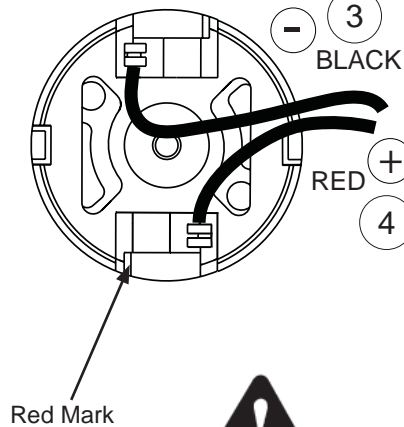
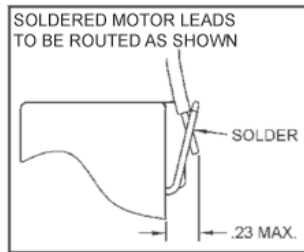
FIG.	PART NO.	DESCRIPTION OF PART	NO. REQ.
27	02-04-0785	Ball Bearing	(1)
28	32-65-0170	Ring Gear	(1)
29	42-42-0215	Forward/Reverse Button	(1)
30	14-50-0825	Motor Assembly	(1)
31	-----	Motor	(1)
32	-----	Leadwire Assembly (Red)	(1)
33	-----	Leadwire Assembly (Black)	(1)
34	32-60-1350	Motor Pinion	(1)
35	44-34-0380	Motor Mount	(1)
36	06-82-1000	Screw (M5x6)	(2)
37	23-66-1080	Switch Assembly	(1)
38	22-56-1210	Connector Block Assembly	(1)
39	-----	Leadwire Assembly (Red)	(1)
40	-----	Leadwire Assembly (Black)	(1)
41	-----	Connector Block Cover	(1)
42	-----	Connector Block	(1)
43	06-82-2630	Screw	(8)
44	-----	Bit Holder	(2)
45	23-94-0450	LED Assembly	(1)
46	14-46-1875	1/4" Hex Drive Assembly	(1)
47	34-60-0725	Retaining Ring	(1)
48	45-88-1880	Washer	(1)
49	40-50-1470	Spring	(1)
50	45-22-0750	Sleeve	(1)
51	02-02-0170	Ball (3.5 mm Dia.)	(2)
52	42-06-0490	1/4" Anvil	(1)
57	12-20-3460	Service Nameplate (not shown)	(1)

**MILWAUKEE ELECTRIC TOOL CORPORATION**  
13135 W. Lisbon Road, Brookfield, WI 53005  
Dwg. 2

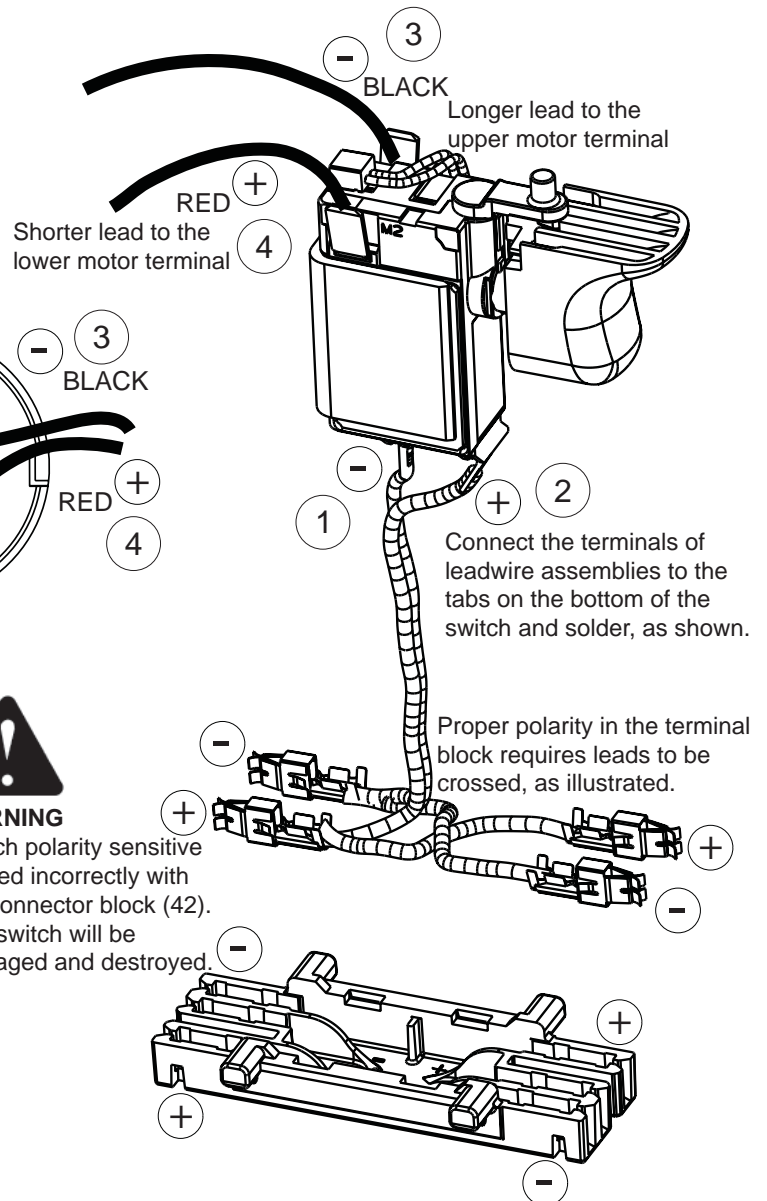
## LUBRICATION



## WIRING INSTRUCTIONS



**WARNING**  
Switch polarity sensitive if wired incorrectly with the connector block (42). The switch will be damaged and destroyed.



### WIRING SPECIFICATIONS

Wire No.	Wire Color	Origin or Gauge	Length	Terminals, Connectors and 1 or 2 End Wire Preparation
1	Black	-----	----	Component of Connector Block Assembly
2	Red	-----	----	Component of Connector Block Assembly
3	Black	-----	----	Component of Motor Assembly
4	Red	-----	----	Component of Motor Assembly

BULK LEAD WIRE - BULLETIN NO. 58-01-0003