



SERVICE PARTS LIST

BULLETIN NO.
54-08-0615

SPECIFY CATALOG NO. AND SERIAL NO. WHEN ORDERING PARTS		REVISED BULLETIN	DATE
3/8" DRILL		54-08-0614	May '84
CATALOG NO. 0871	STARTING SERIAL NO. 486-13000	WIRING INSTRUCTION	
		58-01-0182	
CAT. NO.	START SER. NO.	BILINGUAL LABEL	

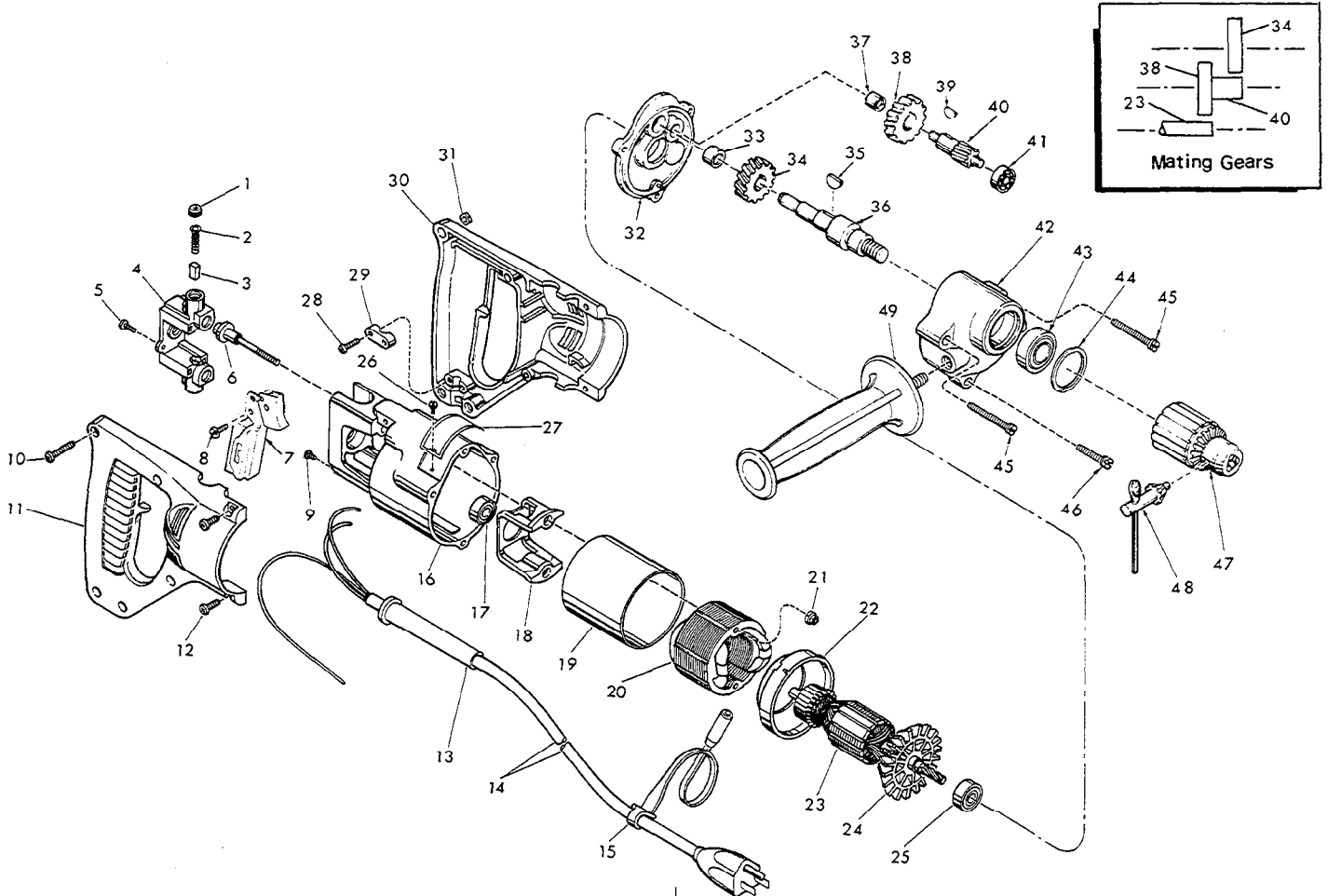


FIG.	PART NO.	DESCRIPTION OF PART	NO. REQ.	FIG.	PART NO.	DESCRIPTION OF PART	NO. REQ.
★	1	23-44-0190 Brush Retaining Screw	(2)	★	28	06-95-0216 8-16 x 5/8" Plastite Screw	(3)
	2	23-52-0160 Brush Spring	(2)	★	29	31-17-0156 Cord Clamp	(1)
★	3	22-16-0275 Carbon Brush	(2)	★	30	31-44-1375 L.H. Half D Handle	(1)
★	4	22-22-1330 Brush Holder Assembly	(1)	★	31	06-55-0835 8-32 Hex Nut	(5)
★	5	06-95-0075 6-32 x 3/8 Trus Hd. Taptite Screw	(2)	★	32	28-28-0585 Diaphragm (Incl. 06-65-0825 Groove Pin)	(1)
★	6	06-81-1058 Insulated Field Bolt	(2)	33	02-50-2110 Needle Bearing	(1)	
	7	23-66-0505 Switch	(1)	34	32-75-1941 Spindle Gear	(1)	
	8	06-95-0215 8-18 x 1/2 Thread Form. Screw	(1)	35	06-42-1200 Woodruff Key	(1)	
	9	06-95-5150 6-32 x 1/4 Ground Screw	(1)	36	38-50-2551 Spindle	(1)	
	10	06-81-0473 8-32 x 1 Pan Hd. Screw	(5)	37	02-50-1640 Needle Bearing	(1)	
★	11	31-44-1380 R.H. Half D Handle	(1)	38	32-40-1241 Intermediate Gear	(1)	
	12	06-95-0700 8-32 x 1/2 Pan Hd. Screw	(4)	39	06-42-0800 Woodruff Key	(1)	
★	13	44-76-0150 Cord Protector	(1)	40	36-66-2551 Intermediate Shaft	(1)	
★	14	22-64-0155 Cord Set	(1)	41	02-04-0640 Ball Bearing	(1)	
	15	48-66-4040 Key Holder	(1)	42	28-14-0686 Gear Case	(1)	
★	16	28-50-6201 Motor Housing	(1)	43	02-04-1560 Ball Bearing	(1)	
★	17	02-04-0845 Ball Bearing	(1)	44	34-80-2500 Retaining Ring	(1)	
	18	31-55-0030 Coil Shield	(1)	★	45	06-95-5270 8-32 x 1-7/8 Fil. Hd. Sem	(2)
	19	23-16-0456 Field Insulator	(1)	★	46	06-95-5250 8-32 x 1-1/8 Fil. Hd. Sem	(1)
	20	18-30-0100 120 V. Field	(1)	★	47	48-66-0224 3/8" Chuck (Includes Fig. 48)	(1)
	21	06-57-2975 8-32 Flexlock Hex Nut	(2)	48	48-66-3280 Chuck Key	(1)	
	22	31-05-0050 Baffle	(1)	★	49	43-62-0875 Side Handle	(1)
★	23	16-30-0225 120 V. Armature (Incl. Fig. No. 24)	(1)	50	10-98-5987 Warning Label	(1)	
	24	22-84-0530 Fan Assembly	(1)				
★	25	02-04-0911 Ball Bearing	(1)				
	26	06-85-0200 6 x 1/4 Rd. Hd. Type Z Screw	(2)				
	27	12-99-0030 Nameplate	(1)				