



SERVICE PARTS LIST

**BULLETIN NO.
55-40-0840**

SPECIFY CATALOG NO. AND SERIAL NO. WHEN ORDERING PARTS

REVISED BULLETIN

DATE
Jan. 2008

CORDLESS SAWZALL®

CATALOG NUMBER **0819-50 (V 18 SX)**

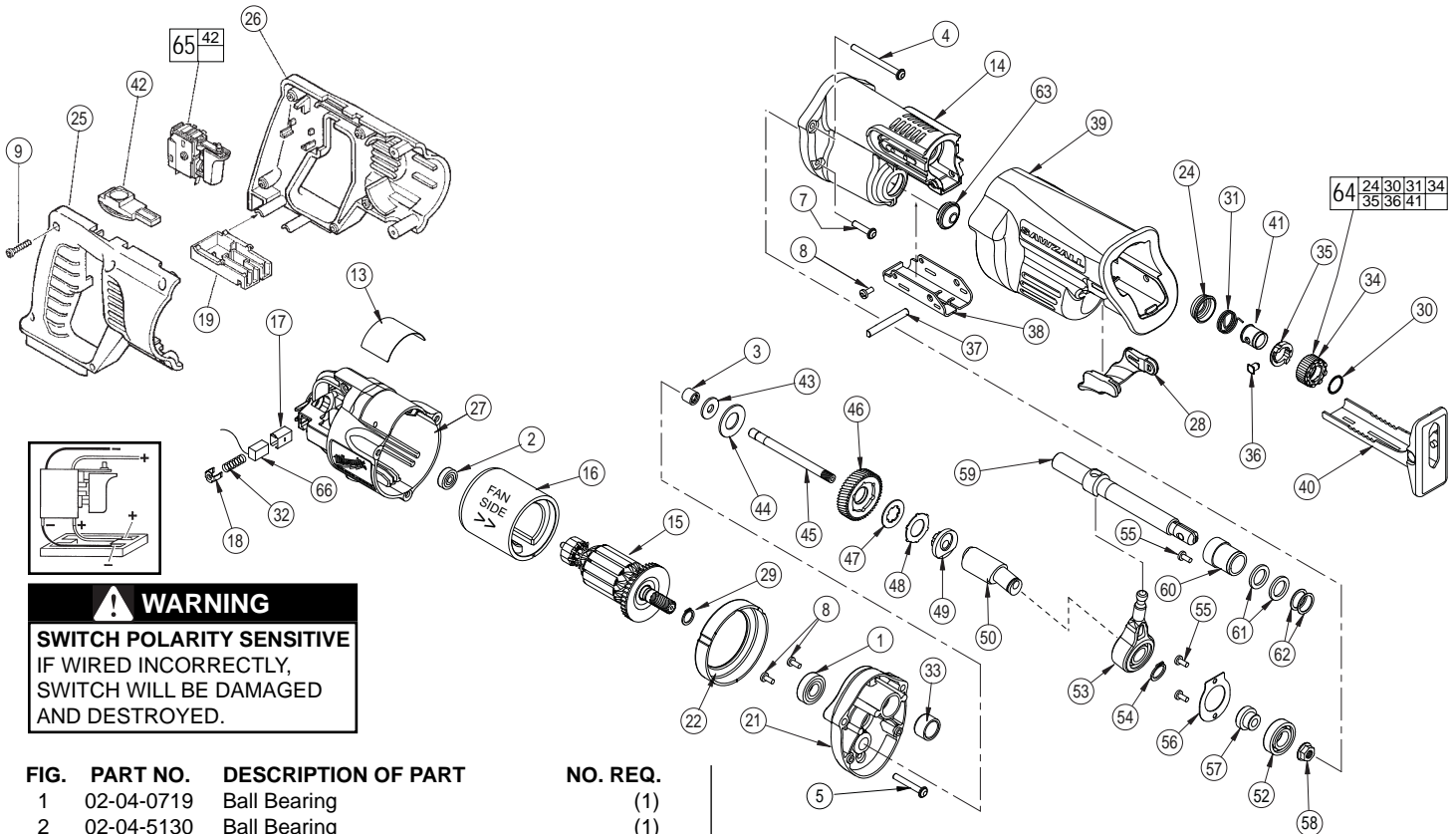
STARTING SERIAL NO. **B09A**

WIRING INSTRUCTION
58-01-0791

EXAMPLE:

00 | 0
Component Parts (Small #) Are Included
When Ordering The Assembly (Large #).

PRODUCT NUMBER **4000 4014 13**



⚠ WARNING
SWITCH POLARITY SENSITIVE
IF WIRED INCORRECTLY,
SWITCH WILL BE DAMAGED
AND DESTROYED.

FIG.	PART NO.	DESCRIPTION OF PART	NO. REQ.
1	02-04-0719	Ball Bearing	(1)
2	02-04-5130	Ball Bearing	(1)
3	02-50-2150	Needle Bearing	(1)
4	05-88-0302	K50 x 60mm Washer Hd. PT Screw	(2)
5	05-88-8309	K50 x 35mm Washer Hd. PT Screw	(1)
7	06-82-5363	8-32 x 1 Washer Hd. Taptite T-20 Screw	(2)
8	06-82-7253	8-32 x .38 Taptite T-20 Screw	(3)
9	06-82-7261	6-19 x .687 Slotted Plastite T-15 Screw	(6)
13	12-20-3420	Service Nameplate Kit	(1)
14	28-14-0999	Gearcase	(1)
15	16-01-2135	Service Armature	(1)
16	18-01-2120	Service Field	(1)
17	22-20-0860	Brush Tube	(2)
18	22-32-0400	Brush Spring Clip	(2)
19	22-56-0230	Connector Block	(1)
21	28-28-0719	Diaphragm	(1)
22	31-05-0719	Baffle	(1)
24	31-15-0511	Spring Cover	(1)
25	31-44-0750	Right Handle Half	(1)
26	31-44-0755	Left Handle Half	(1)
27	31-50-0019	Motor Housing	(1)
28	31-52-0090	Shoe Release Lever	(1)
29	34-60-0920	External Retaining Ring	(1)
30	34-60-3680	Retaining Ring	(1)
31	40-50-0161	Torsion Spring	(1)
32	40-50-8840	Brush Spring	(2)
33	42-24-0620	Rear Spindle Bearing	(1)
34	42-50-0076	Front Cam	(1)
35	42-50-0077	Rear Cam	(1)
36	44-60-0626	Lock Pin	(1)
37	44-60-1635	Shoe Pin	(1)
38	44-66-0880	Shoe Retainer	(1)
39	45-12-0999	Gearcase Insulator	(1)
40	45-16-0645	Shoe Assembly	(1)
41	45-22-0081	Sleeve	(1)

FIG.	PART NO.	DESCRIPTION OF PART	NO. REQ.
42	-----	Lock Off Slide	(1)
43	45-88-1555	Washer	(1)
44	40-50-8850	Disc Spring	(1)
45	42-12-0155	Wobble Shaft Axel	(1)
46	32-40-0719	Intermediate Gear	(1)
47	43-06-0685	Metal Plate	(1)
48	43-06-0676	Bronz Plate	(1)
49	43-78-0525	Drive Hub	(1)
★ 50	36-92-0501	Wobble Shaft	(1)
52	02-04-1510	Ball Bearing	(1)
53	14-67-0135	Wobble Plate Assembly	(1)
54	34-60-1315	Retaining Ring	(1)
55	06-82-7253	8-32 x 3/8" Pan Hd. Sl. Taptite T-20	(3)
56	44-86-0055	Bearing Retainer	(1)
57	45-36-1445	Spacer	(1)
58	06-55-3790	5/16-24 Spinlok Hex Nut	(1)
59	38-50-0680	Reciprocating Spindle	(1)
60	42-24-0610	Front Spindle Bearing	(1)
61	45-06-0501	Felt Seal	(2)
62	45-88-8577	Washer	(2)
63	42-52-0380	Bearing Cap	(1)
64	14-46-1011	Steel Quik-Lok Blade Clamp Kit	(1)
★ 65	23-66-2484	Switch Assembly Kit	(1)
66	22-18-0976	Carbon Brush Assembly - White (Right)	(1)
66A	22-18-0971	Carbon Brush Assy.- Black (Left) (Not Shown)	(1)
	23-94-5890	Leadwire Assembly - Black	(1)
	23-94-5895	Leadwire Assembly - White	(1)

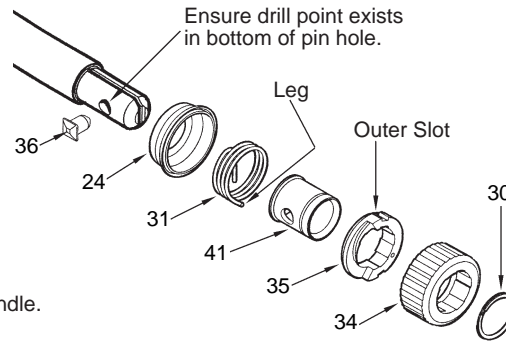
MILWAUKEE ELECTRIC TOOL CORPORATION
13135 W. LISBON RD., BROOKFIELD, WI 53005

REMOVING THE STEEL QUIK-LOK® BLADE CLAMP

- Remove external retaining ring (30) and pull front cam (34) off.
- Pull lock pin (36) out and remove remainder of parts and discard.

REASSEMBLY OF THE STEEL QUIK-LOK® BLADE CLAMP

- Coat new lock pin with powdered graphite.
- Hold tool in a vertical position.
- Place spring cover (24) onto spindle.
- Slide torsion spring (31) onto spindle with spring leg on hole side of spindle.
- Slide sleeve (41) onto spindle aligning hole on sleeve with hole in spindle.
- Slide rear cam (35) over sleeve until it bottoms on sleeve shoulder, ensure spring leg inserts into hole in rear cam.
- Rotate rear cam in the direction of the arrows located on spring cover until there is clearance for lock pin (36) to be inserted into sleeve/spindle holes. Insert lock pin.
- Align front cam (34) inner ribs with rear cam outer slots and slide front cam onto sleeve until it bottoms.
- Retaining ring (30) groove should be completely visible.
- Attach retaining ring by separating coils and inserting end of ring into groove, then wind remainder of ring into groove. Ensure ring is seated in groove.
- Blade clamp should rotate freely. During normal usage, debris may not allow blade clamp to rotate freely. The use of spray lubricant can help free blade clamp. In extreme conditions, follow these instructions to remove, clean and reassemble blade clamp.



LUBRICATION:

Place 1/2 oz. of type "Y" grease, No. 49-08-5270, in (21) diaphragm cavity near the needle bearing.

Place 2-1/2 oz. of type "L" grease, No. 49-08-4175, in cavity in front of bearing plate in the gearcase (14).

Saturate felt seals (61) with bushing oil before assembly.

NOTES:

Press rear spindle bearing (33) flush to -.030 from front exterior face in diaphragm boss (21).

Torque spinlok hex nut (58) to 180 in./lbs. to 210 in./ lbs.

Needle bearing (3) is to be pressed from the open end flush to ± 0.005 to face of bearing boss of diaphragm (21).

Remove brush tubes (17) prior to removing armature assembly (15) from motor housing (27).

Install brush tubes (17) into motor housing (27) only after armature assembly (15) has been secured into motor housing (27).

Seal side of bearing (2) to face armature (15).

Stamped arrows (>>) on field casing (16) to face armature fan.