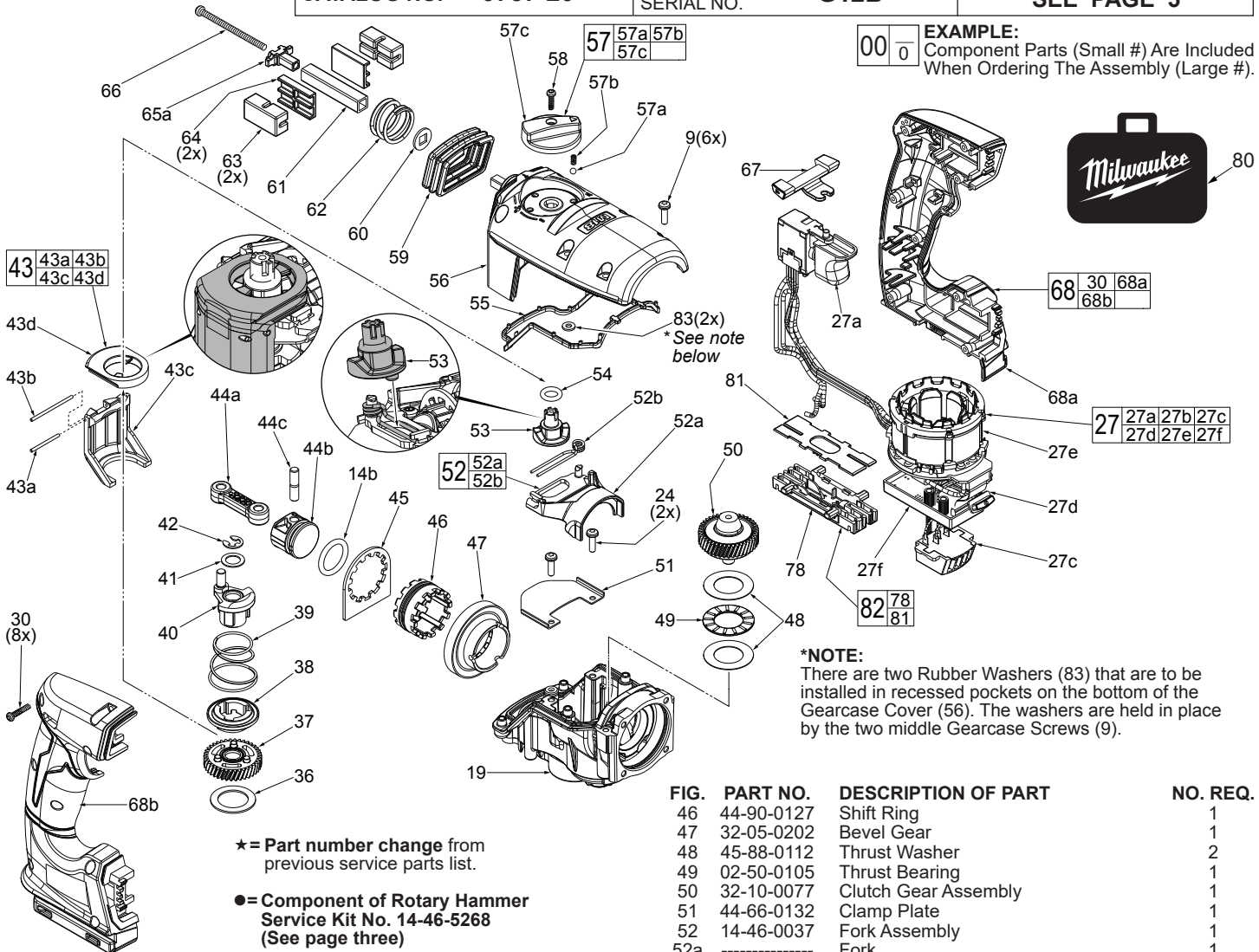




SERVICE PARTS LIST

BULLETIN NO.
54-24-2711

SPECIFY CATALOG NO. AND SERIAL NO. WHEN ORDERING PARTS		REVISED BULLETIN 54-24-2710	DATE Aug. 2020
M28 FUEL™ 1-1/8" (3kg) Rotary Hammer			
CATALOG NO.	0757-20	STARTING SERIAL NO.	G12B
		WIRING INSTRUCTION SEE PAGE 5	



EXAMPLE:
Component Parts (Small #) Are Included When Ordering The Assembly (Large #).

★ = Part number change from previous service parts list.
● = Component of Rotary Hammer Service Kit No. 14-46-5268 (See page three)

FIG.	PART NO.	DESCRIPTION OF PART	NO. REQ.
9	06-75-2408	M4 x 17mm Pan Hd. Taptite T-20 w/Nylok	6
14b	34-40-0068	O-Ring (1 on Piston #42b, 1 on Ram #14a)	2
19	14-30-0037	Gearbox Assembly	1
24	05-78-0105	M4 x 10mm Pan Hd. Taptite Screw (2 of 4)	2
27	14-20-0757	Electronics Assembly	1
27a	-----	On-Off Switch	1
27b	-----	Battery Terminal Connector Block	1
27c	-----	Connector Assembly	1
27d	-----	LED Assembly	1
27e	-----	Stator Assembly	1
27f	-----	PCB Assembly	1
30	06-82-2025	M3.5 x 16mm Pan Hd. Plast. T-10 (8 of 23)	23
36	45-88-0106	Washer	1
37	32-60-0112	Crank Gear Assembly with Needle Bearing	1
38	44-90-0152	Crank Shift Ring	1
39	40-50-0107	Crank Spring	1
40	14-09-0110	Crank Assembly	1
41	44-66-0122	Crank Shim	1
42	42-70-5268	● Retaining E-Ring	1
43	14-46-0117	Chisel Shifter Assembly	1
43a	-----	M2 x 27mm Dowel Pin	1
43b	-----	M2 x 40mm Dowel Pin	1
43c	-----	Chisel Bracket	1
43d	-----	Chisel Shift Driver	1
44a	44-94-0022	Connecting Rod	1
44b	44-62-0302	Piston	1
44c	44-60-0147	Wrist Pin	1
45	44-66-0303	Locking Plate	1

FIG.	PART NO.	DESCRIPTION OF PART	NO. REQ.
46	44-90-0127	Shift Ring	1
47	32-05-0202	Bevel Gear	1
48	45-88-0112	Thrust Washer	2
49	02-50-0105	Thrust Bearing	1
50	32-10-0077	Clutch Gear Assembly	1
51	44-66-0132	Clamp Plate	1
52	14-46-0037	Fork Assembly	1
52a	-----	Fork	1
52b	-----	Fork Spring	1
53	42-90-0022	Shifting Coupler	1
54	34-40-0093	● O-Ring	1
★ 55	42-92-0053	● Gearcase Gasket (See page three)	1
★ 56	28-14-0103	Gearcase Cover	1
57	44-10-0057	Selector Knob Assembly	1
57a	-----	Selector Ball	1
57b	-----	Selector Spring	1
57c	-----	Selector Knob	1
58	06-82-2025	M3.5 x 16mm Pan Hd. Plastite T-10 Screw	1
59	22-90-0132	Top Bellow	1
60	45-88-0153	Vibration Washer (1 each for top & bottom AVS)	2
61	44-20-0141	Top AVS Square Guide Pipe	1
62	40-50-0211	Top AVS Spring	1
63	42-38-0077	Vibration Bumper (2 each for top & bottom AVS)	4
64	42-38-0137	Bumper Holder (2 each for top & bottom AVS)	4
65a	44-66-0132	Retaining Plate	1
66	05-78-0012	M4 x 52mm Scr. (1 each for top & bottom AVS)	2
67	42-42-2715	Forward/Reverse Button	1
68	31-44-0757	Handle Assembly	1
68a	-----	Left Handle Half	1
68b	-----	Right Handle Half	1
78	-----	Connector Block	1
80	42-55-0757	Blow Molded Carrying Case	1
81	-----	Connector Block Cover	1
82	22-56-0977	Connector Block Assembly	1
83	45-88-0014	● Rubber Washer	2

● = Component of Rotary Hammer
Service Kit No. 14-46-5268

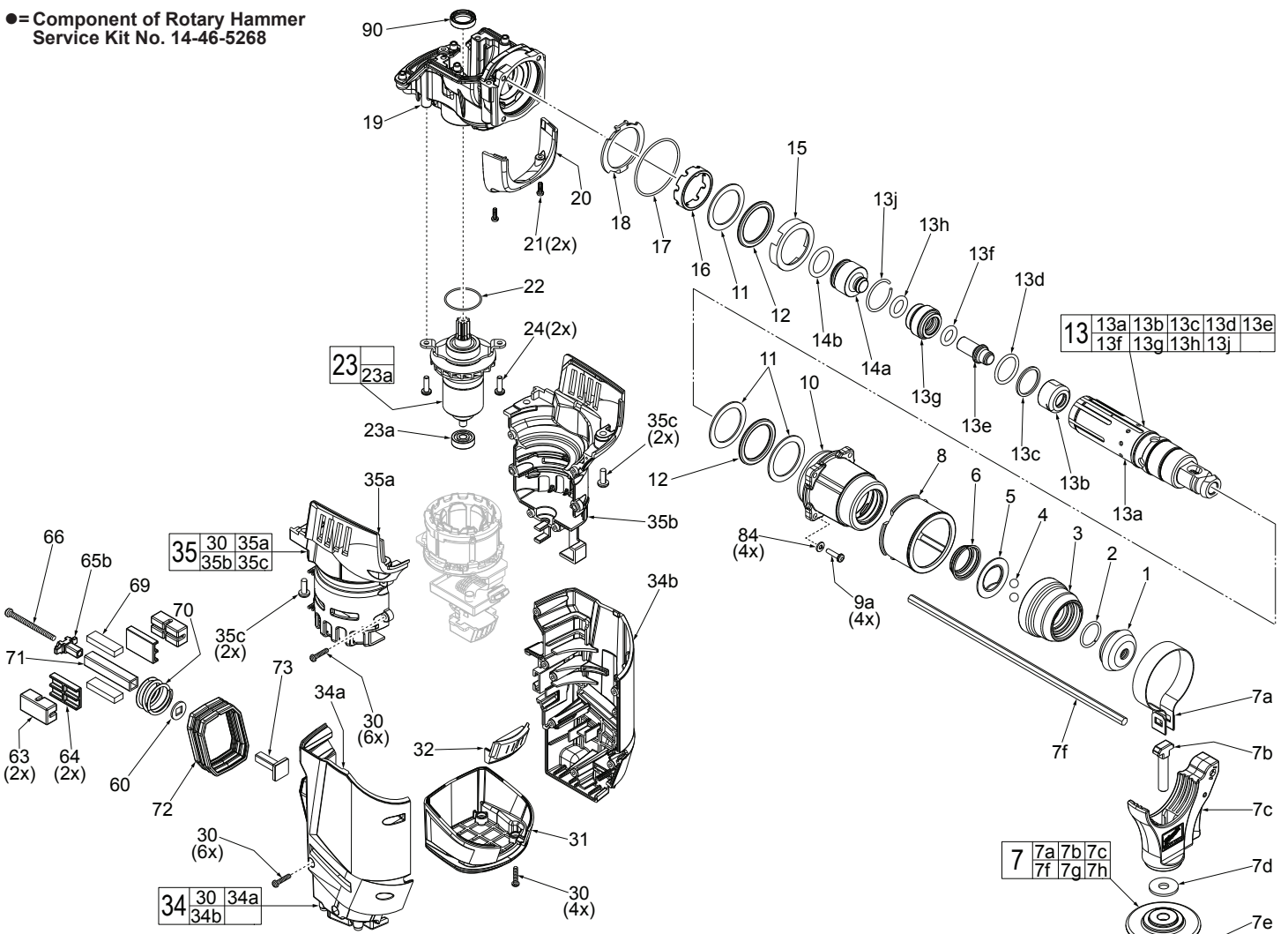


FIG.	PART NO.	DESCRIPTION OF PART	NO. REQ.
1	45-12-0045	● Dust Shield	1
2	44-90-5262	● Retaining Ring	1
3	45-22-0062	Collar with Steel Insert	1
4	02-02-0275	● 7mm Steel Ball	2
5	42-36-0017	● Ball Support Plate	1
6	40-50-0082	Conical Spring	1
7	14-34-0015	Side Handle Assembly	1
7a	44-66-0072	Clamp Collar	1
7b	05-81-5376	M8 x 53mm Screw	1
7c	-----	Side Handle Carrier Assembly	1
7d	45-88-5377	Washer	1
7e	31-05-5383	Side Handle	1
7f	44-94-5381	Depth Rod	1
8	45-22-0045	Side Handle Sleeve	1
9a	05-78-5316	M4 x 14mm Pan Hd. Taptite T-20 Screw	4
10	42-40-0127	Bushing Sleeve Assembly with Seals	1
11	45-88-0157	Washer	3
12	45-38-0127	● Bumper	2
13	14-46-0197	Spindle Assembly	1
13a	38-50-0052	Spindle	1
13b	43-06-0060	Brake Ring	1
13c	44-66-0203	Anvil Ring	1
13d	34-40-0032	● Square O-Ring	1
13e	42-06-0027	Anvil/Striker	1
13f	34-40-0052	● Anvil O-Ring	1
13g	42-06-0067	Ram Catcher	1
13h	44-90-0032	● Back Pressure Ring	1
13j	34-60-0027	● Anvil Retaining Ring	1
14a	45-56-0065	Ram	1
14b	34-40-0068	● O-Ring (1 on Ram #14a, 1 on Piston #42b)	2
15	45-88-0042	Bumper/Washer Holder	1
16	42-76-0037	Spindle Collar	1
17	34-40-0082	● O-Ring	1
18	44-60-0119	Retaining Plate	1
19	14-30-0037	Gearbox Assembly	1
20	31-15-0033	Shroud	1
21	05-86-1000	M3 x 9.5mm Pan Hd. Taptite T-10 Screw	2
22	34-40-5320	O-Ring	1
23	16-07-2715	● Rotor Assembly	1
23a	02-04-5382	Ball Bearing	1
24	05-78-0105	M4 x 10mm Pan Hd. Taptite Screw	2
30	06-82-2025	M3.5 x 16mm Pan Hd. Plast. T-10 (15 of 23)	23
31	23-44-0055	Bottom Cap	1
32	42-28-0077	Bottom Cap/Connector Rubber	1
34	31-44-0042	Housing Assembly	1
34a	-----	Housing Cover (Right Housing)	1
34b	-----	Housing Support (Left Housing)	1
35	31-50-2715	Motor Housing Assembly	1
35a	-----	Motor Housing Cover (Right Motor Housing)	1
35b	-----	Motor Housing Support (Left Motor Housing)	1
35c	05-74-0990	M5 x 15mm Taptite T-25 Screw	4
60	45-88-0153	Vibration Washer (1 of 2)	2
63	42-38-0077	Vibration Bumper (2 of 4)	4
64	42-38-0137	Bumper Holder (2 of 4)	4
65b	44-66-0131	Retaining Plate	1
66	05-78-0012	M4 x 52mm Scr. (1 each for top & bottom AVS)	2
69	44-52-0052	Foam Block	2
70	40-50-0138	Bottom AVS Spring	1
71	44-68-0155	Bottom AVS Square Guide Pipe	1
72	22-90-0153	Bottom Bellow	1
73	42-36-2715	T-Bracket	1
79	12-20-0043	Service Nameplate (Not Shown)	1
84	05-90-0225	Lock Washer	4
90	45-06-0148	Motor Seal	1

FIG.	PART NO.	DESCRIPTION	NO. REQ.
1	45-12-0045	● Dust Shield	1
2	44-90-5262	● Retaining Ring	1
3	45-22-0062	Collar with Steel Insert	1
4	02-02-0275	● 7mm Steel Ball	2
5	42-36-0017	● Ball Support Plate	1
6	40-50-0082	Conical Spring	1
7	14-34-0015	Side Handle Assembly	1
7a	44-66-0072	Clamp Collar	1
7b	05-81-5376	M8 x 53mm Screw	1
7c	-----	Side Handle Carrier Assembly	1
7d	45-88-5377	Washer	1
7e	31-05-5383	Side Handle	1
7f	44-94-5381	Depth Rod	1
8	45-22-0045	Side Handle Sleeve	1
9a	05-78-5316	M4 x 14mm Pan Hd. Taptite T-20 Screw	4
10	42-40-0127	Bushing Sleeve Assembly with Seals	1
11	45-88-0157	Washer	3
12	45-38-0127	● Bumper	2
13	14-46-0197	Spindle Assembly	1
13a	38-50-0052	Spindle	1
13b	43-06-0060	Brake Ring	1
13c	44-66-0203	Anvil Ring	1
13d	34-40-0032	● Square O-Ring	1
13e	42-06-0027	Anvil/Striker	1
13f	34-40-0052	● Anvil O-Ring	1
13g	42-06-0067	Ram Catcher	1
13h	44-90-0032	● Back Pressure Ring	1
13j	34-60-0027	● Anvil Retaining Ring	1
14a	45-56-0065	Ram	1
14b	34-40-0068	● O-Ring (1 on Ram #14a, 1 on Piston #42b)	2
15	45-88-0042	Bumper/Washer Holder	1
16	42-76-0037	Spindle Collar	1
17	34-40-0082	● O-Ring	1
18	44-60-0119	Retaining Plate	1
19	14-30-0037	Gearbox Assembly	1
20	31-15-0033	Shroud	1
21	05-86-1000	M3 x 9.5mm Pan Hd. Taptite T-10 Screw	2
22	34-40-5320	O-Ring	1
23	16-07-2715	● Rotor Assembly	1
23a	02-04-5382	Ball Bearing	1
24	05-78-0105	M4 x 10mm Pan Hd. Taptite Screw	2
30	06-82-2025	M3.5 x 16mm Pan Hd. Plast. T-10 (15 of 23)	23
31	23-44-0055	Bottom Cap	1
32	42-28-0077	Bottom Cap/Connector Rubber	1
34	31-44-0042	Housing Assembly	1
34a	-----	Housing Cover (Right Housing)	1
34b	-----	Housing Support (Left Housing)	1
35	31-50-2715	Motor Housing Assembly	1
35a	-----	Motor Housing Cover (Right Motor Housing)	1
35b	-----	Motor Housing Support (Left Motor Housing)	1
35c	05-74-0990	M5 x 15mm Taptite T-25 Screw	4
60	45-88-0153	Vibration Washer (1 of 2)	2
63	42-38-0077	Vibration Bumper (2 of 4)	4
64	42-38-0137	Bumper Holder (2 of 4)	4
65b	44-66-0131	Retaining Plate	1
66	05-78-0012	M4 x 52mm Scr. (1 each for top & bottom AVS)	2
69	44-52-0052	Foam Block	2
70	40-50-0138	Bottom AVS Spring	1
71	44-68-0155	Bottom AVS Square Guide Pipe	1
72	22-90-0153	Bottom Bellow	1
73	42-36-2715	T-Bracket	1
79	12-20-0043	Service Nameplate (Not Shown)	1
84	05-90-0225	Lock Washer	4
90	45-06-0148	Motor Seal	1