



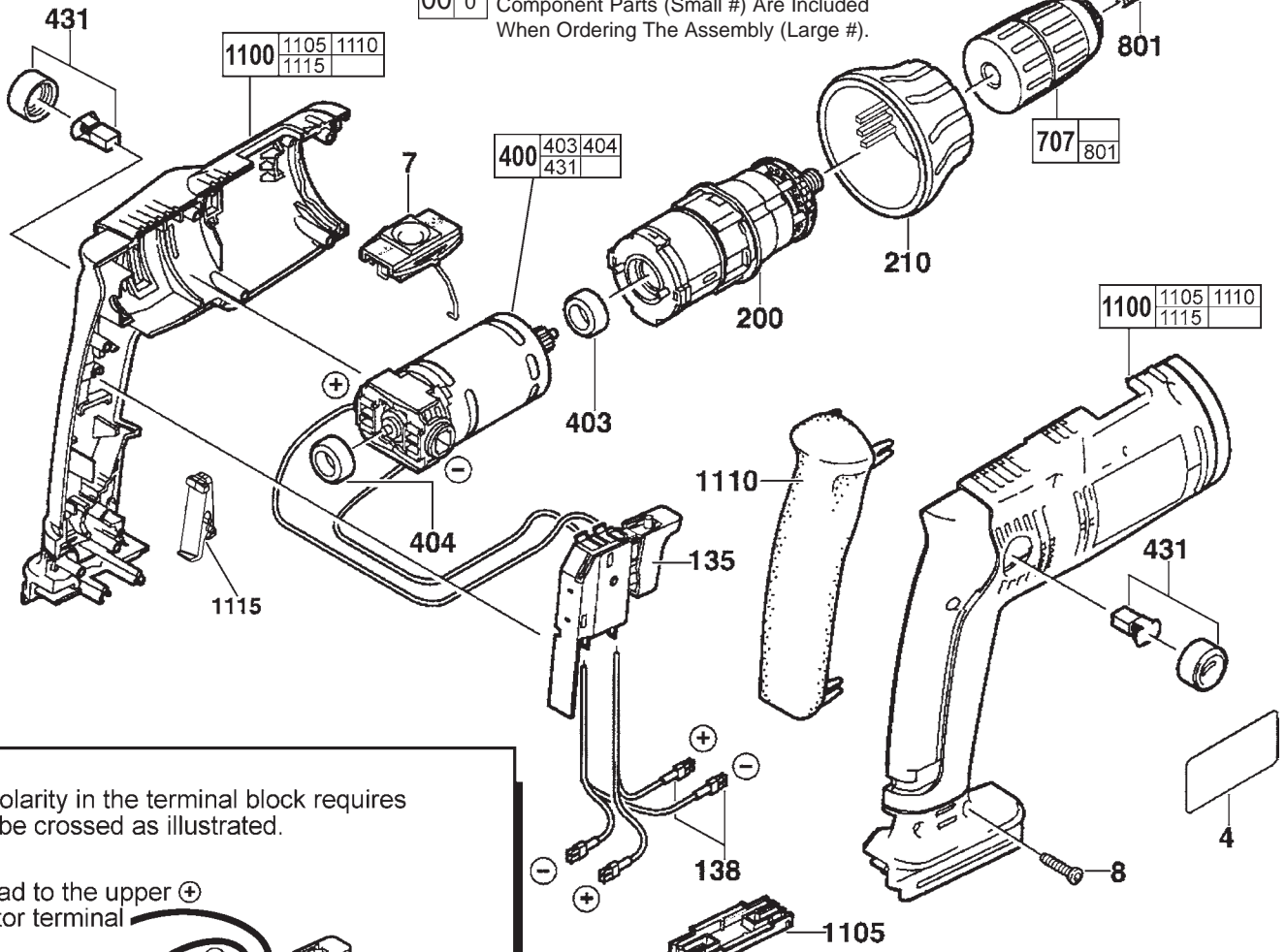
SERVICE PARTS LIST

BULLETIN NO.
54-24-4000

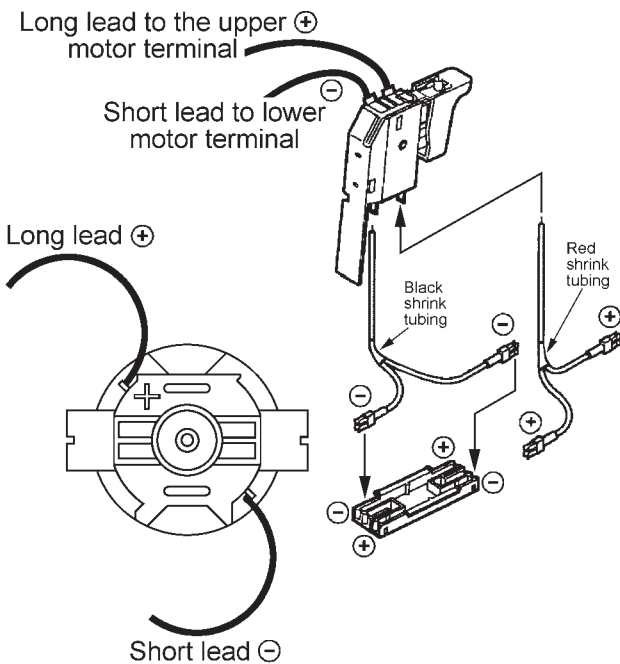
SPECIFY CATALOG NO. AND SERIAL NO. WHEN ORDERING PARTS		REVISED BULLETIN	DATE
14.4 Volt 1/2" Lok-Tor™ Hammer Driver Drill			May 2003
CATALOG NO. 0613-20	STARTING SERIAL NO. 313A	WIRING INSTRUCTION SEE INSERT	

00 0

EXAMPLE:
Component Parts (Small #) Are Included
When Ordering The Assembly (Large #).



NOTE:
Proper polarity in the terminal block requires leads to be crossed as illustrated.



WARNING!
Switch polarity sensitive if wired incorrectly with the terminal block (1105). The switch will be damaged and destroyed.

FIG.	PART NO.	DESCRIPTION OF PART	QTY.
4	12-20-1070	Service Nameplate	(1)
7	45-24-0090	Slide High / Low	(1)
8	06-82-7236	4-20 x 5/8" Pan Hd. Plastite T-10	(7)
135	23-66-1265	Switch	(1)
138	23-94-3050	Lead Wire Assembly (Set of 2)	(1)
200	14-29-0140	Gearbox Assembly	(1)
210	43-76-0730	Clutch Ring	(1)
400	23-30-0460	Motor Assembly	(1)
403	45-22-0340	Front Rubber Sleeve	(1)
404	45-22-0560	Rear Rubber Sleeve	(1)
431	22-18-1150	Brush Assembly	(1)
707	48-66-1575	Keyless Chuck	(1)
----	-----	Battery Pack (Not Shown)	(1)
801	05-80-0450	Chuck Screw	(1)
1100	31-50-1626	Handle Kit	(1)
1105	22-56-0195	Connector Block	(1)
1110	44-52-0730	Soft Grip	(1)
1115	31-53-0225	Finger Grip	(1)
	49-15-0400	Side Handle (Not Shown)	(1)

**22-18-1150 BRUSH ASSEMBLY
THIS ASSEMBLY INCLUDES:**

- 2 ----- Carbon Brush
- 2 ----- Brush Cap

MILWAUKEE ELECTRIC TOOL CORPORATION

13135 W. Lisbon Road, Brookfield, WI 53005

Drwg. 4