



BOSCH

Drill Screwdriver

---- | 0 601 413 034

Table of Content

Spare parts list.....	2
Illustration - Type.....	4

Spare parts list

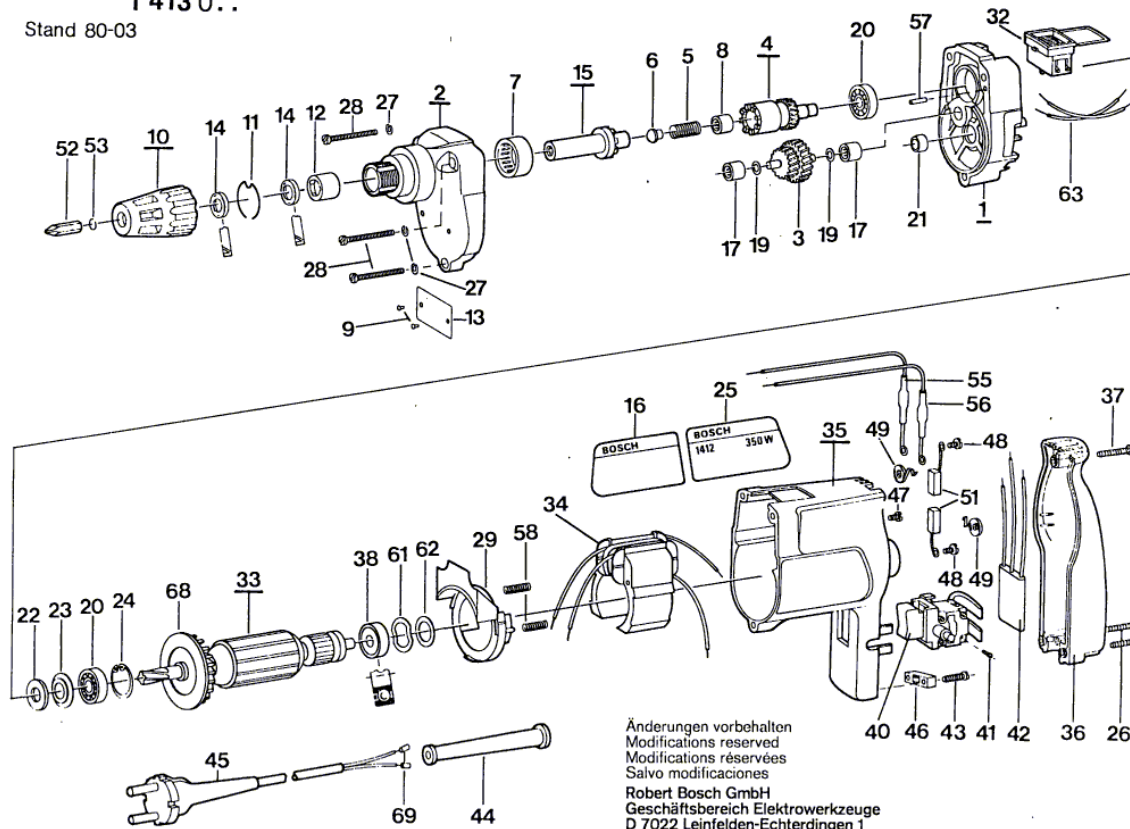
Item	Part Number	Description	Illustration
1	2 605 700 925	Intermediate Flange	1
2	2 605 806 957	Gear Housing	1
3	2 606 311 901	Toothed Shaft Z=25/41	1
4	2 606 490 904	Coupling Half Z= 24	1
5	2 604 611 037	Compression Spring	1
6	2 603 126 006	Pressure Spindle	1
7	2 600 914 013	Needle bearing	1
8	2 600 910 001	Needle-Roller Bearing Ø14 MM	1
9	2 917 724 032	Grooved Nail 2x4 DIN 1476-ST	1
10	2 600 460 007	Depth-Gauge	1
10	2 600 460 008	Depth-Gauge	1
10	2 600 460 009	Depth-Gauge	1
10	2 600 460 014	Depth-Gauge	1
11	2 604 601 012	Stop Spring	1
12	2 600 499 002	Bushing	1
13	1 601 11A 3H3	Nameplate	1
14	2 600 283 012	Seal Ring	1
15	2 606 490 905	Coupling Half	1
15	2 606 490 907	Coupling Half	1
16	2 601 110 099	Sticker	1
17	2 600 914 010	Needle-Roller Bearing Ø6 MM	1
19	2 600 100 607	Shim 0,3 MM	1
20	1 900 905 029	Ball Bearing 8x22x7	1
21	2 600 300 049	Seal Bushing	1
22	2 600 108 000	Felt Washer	1
23	2 600 500 030	Cupped Washer	1
24	2 600 119 000	Spring retaining ring	1
25	2 601 110 111	Sticker	1
26	2 910 211 021	Tapping Screw DIN 7971-ST3,9x22-F	1
27	2 916 690 003	Spring Lock Washer DIN 128-A4-FST	1
28	2 910 021 136	Socket head cap screw DIN 84-AM4x35-8.8	1
29	2 601 328 041	Cover Disc	1
32	2 607 200 114	Change-Over Switch	1
33	2 604 010 532	Armature 110-115V	1
34	2 600 409 013	Centering Sleeve	1

Spare parts list

Item	Part Number	Description	Illustration
34	2 604 222 301	Washer 110-115V	1
35	2 605 104 954	Motor Housing BLUE	1
36	2 605 132 017	Housing Cover BLUE	1
36	2 605 132 042	Housing Cover	1
37	2 910 211 020	Tapping Screw DIN 7971-BZ3,9x19	1
38	1 900 905 018	Ball Bearing 7x22x7	1
40	2 607 200 043	On-Off Switch	1
41	2 603 410 023	Socket head cap screw M3x10 MM	1
42	2 607 329 102	Suppression Filter	1
43	2 910 211 019	Tapping Screw DIN 7971-ST3,9x16-F	1
44	2 600 703 011	Grommet Ø8,3-Ø9,4x95 MM	1
44	2 600 703 012	Grommet Ø6,5-Ø6,9x95 MM	1
44	2 600 703 013	Grommet Ø7,6-Ø8,2x95 MM	1
45	2 604 460 056	Power supply cord	1
46	2 601 035 001	Cable Clip	1
47	2 910 211 004	Tapping Screw DIN 7971-BZ2,9x6,5	1
48	2 603 410 010	Socket head cap screw	1
49	2 604 652 003	Spiral Spring	1
51	2 604 320 902	Carbon-Brush Set	1
52	1 608 521 004	Screwdriver Blade NR.2,1/4"	1
53	2 604 601 004	Retaining ring	1
55	2 604 465 026	Suppressor Box	1
56	2 604 465 027	Suppressor Box	1
57	1 903 201 042	Needle Roller DIN 5402-A3x11,8-G2	1
58	2 604 611 026	Compression Spring	1
61	2 600 150 004	Shim	1
62	2 600 101 020	Shim 0,5 MM	1
62	2 600 101 022	Shim 0,2 MM	1
62	2 600 101 023	Shim 0,3 MM	1
63	2 604 411 524	Cable	1
68	2 606 610 021	Fan	1

Illustration - Type - E

Typ 0 601 412 0..
 1 413 0..
 Stand 80-03



Änderungen vorbehalten
 Modifications reserved
 Modifications réservées
 Salvo modificaciones
 Robert Bosch GmbH
 Geschäftsbereich Elektrowerzeuge
 D 7022 Leinfelden-Echterdingen 1