



**BOSCH**

# New Material

----- | 0 601 381 039

---

## Table of Content

Spare parts list.....	2
Illustration - Type.....	4

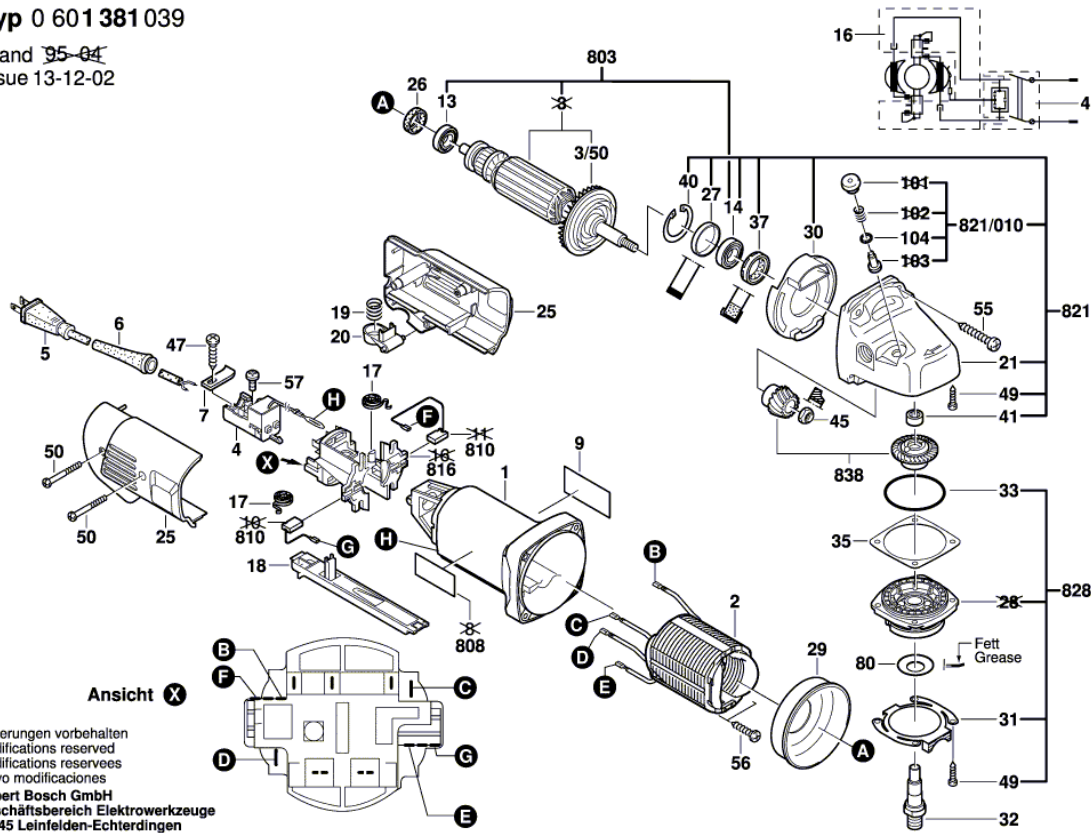
Spare parts list				
Item	Part Number	Description		Illustration
1	1 605 108 162	Motor Housing	BLUE	1
2	1 604 220 58C	Field		1
3/50	1 606 610 129	Fan		1
4	1 607 200 115	Switch		1
5	1 604 460 133	Power supply cord	USA/CDN 2,15m 2 x 2,08mm SJ 14/2	1
6	1 600 703 030	Grommet	Ø6,4-Ø7,2x67 MM	1
6	1 600 703 031	Grommet	Ø7,3-Ø8,6x67 MM	1
6	1 600 703 032	Grommet	Ø8,7-Ø9,5x67 MM	1
7	1 601 302 017	Fastening Clamp		1
9	1 601 118 148	Manufacturer's nameplate		1
13	2 600 905 032	Ball Bearing	7x19x6	1
14	1 600 905 011	groove ball bearing	8x22x7	1
16	1 604 336 030	Brush Holder		1
17	1 604 652 013	Spiral Spring		1
18	1 602 319 013	Switch-Pawl	BLACK	1
19	1 604 611 024	Compression Spring		1
20	1 602 319 007	Shift-Lever Knob	BLACK	1
25	1 605 500 169	Housing Cover	BLUE	1
26	1 600 206 036	Rubber Ring		1
27	1 600 206 025	Rubber Ring		1
29	1 600 591 013	Air-Deflector Ring		1
30	1 600 591 014	Air-Deflector Ring		1
31	1 601 290 007	Clamping Spring		1
32	1 607 000 D6A	Grinding Spindle		1
33	3 600 210 124	O-Ring	46,0x1,1 MM RED	1
35	1 600 136 013	Shim	0,1 MM THICK	1
35	1 600 136 014	Shim	0,2 MM THICK	1
35	1 600 136 015	Shim	0,3 MM THICK	1
35	1 600 136 020	Shim	0,15 MM THICK	1
37	1 600 290 016	Rotary shaft lip seal		1
40	1 600 119 011	Retaining clip		1
41	1 600 910 018	Needle bearing	Ø8xØ12x8 MM	1
45	1 603 300 016	Hex Nut	M7, SW10	1
47	1 603 435 042	Plastic-Cutting Screw	St3,9x12	1

Spare parts list				
Item	Part Number	Description		Illustration
49	1 603 435 026	Thread-forming tap. Screw		1
50	1 603 435 037	Plastic-Cutting Screw		1
55	1 603 415 005	Oval-Head Screw		1
56	1 603 435 044	Plastic-Cutting Screw		1
57	1 603 429 002	Socket head cap screw	M3,5x7 MM	1
80	1 619 P09 390	Cover Disc		1
104	1 600 210 044	O-Ring	4,5x1,0 MM BLUE	1
803	1 604 010 484	Armature	110-115V	1
808	1 601 11A 3H3	Nameplate		1
810	1 607 014 176	Carbon-Brush Set		1
821	1 605 806 451	Gear Housing		1
821/010	1 607 000 253	Push-Button	BLACK	1
828	1 605 805 079	Bearing Flange	BLACK	1
838	1 607 000 D4Y	Gear Unit		1
650/50/20	1 600 210 039	O-Ring	20,35x1,78 MM	2
700	2 607 001 188	Parts Set	Ø 125 MM	2
700/10	2 605 510 101	Protective Cover	Ø 125MM	2
700/20	1 608 135 004	Guide Block		2
700/20/30	2 910 281 158	Round-Head Bolt	DIN 603-M 5x16	2
700/20/40	2 915 191 105	Wing Nut	M 5 DIN 315-G-5	2
700/20/50	1 604 643 004	Compression Spring		2
750/10	1 602 025 09T	Auxiliary Handle		2
750/20	1 603 340 040	Clamping Nut	M14	2
750/30	1 607 950 043	Pin-Type Face-Wrench		2
750/50	1 605 703 099	Clamping-Flange	Ø22,2x42 MM	2
751	2 605 510 104	Protective Cover	Ø 125MM SILVER	2
752	1 600 A01 6PP	Fast Locking Flange		2
753	1 605 438 089	Carrying Case		2
767	2 605 510 107	Suction Hood	Ø115-125MM	2
767/703	2 605 730 036	Brush		2

Illustration - Type - E

Typ 0 601 381 039

Stand ~~95-04~~  
Issue 13-12-02



Ansicht X

Änderungen vorbehalten  
Modifications reserved  
Modificaciones reservadas  
Salvo modificaciones  
Robert Bosch GmbH  
Geschäftsbereich Elektrowerkzeuge  
70745 Leinfelden-Echterdingen

Illustration - Type - E

