



BOSCH

Angle Grinder

----- | 0 601 333 160

Table of Content

Spare parts list.....	2
Illustration - Type.....	4

Spare parts list					
Item	Part Number	Description			Illustration
1	1 605 108 103	Motor Housing			1
2	1 604 220 247	Field	115V		1
2/8	1 901 350 003	Terminal lug	1,5-4x4		1
3	1 604 012 055	Armature	110-115V		1
4	1 607 200 064	Switch			1
5	1 604 460 133	Power supply cord	USA/CDN 2,15m 2 x 2,08mm SJ 14/2		1
6	3 600 703 011	Grommet	Ø9,2-Ø12x120 MM		1
7	1 601 302 014	Fastening Clamp			1
8	1 601 11A 3H3	Nameplate			1
9	1 601 110 003	Manufacturer's nameplate			1
16	1 604 336 008	Brush Holder			1
20	1 605 808 054	Bearing cover			1
21	1 600 102 012	Cover Disc			1
22	1 603 523 091	Grinding Spindle	5/8"-UNC-2A		1
23	1 600 108 055	Sealing disk			1
24	1 607 000 229	Assembly Of Service Parts			1
27	1 600 910 010	Needle bearing	Ø22x11,3 MM		1
28	1 600 206 022	Rubber Ring			1
29	1 600 502 013	Guide Pulley			1
30	1 600 119 004	Spring retaining ring			1
31	1 604 652 015	Spiral Spring			1
32	1 600 290 008	Rotary shaft lip seal	WHITE		1
34	1 600 190 004	Shim	0,1 MM	THICK	1
34	1 600 190 005	Shim	0,2 MM	THICK	1
35	1 601 030 022	Tab Washer			1
36	1 600 206 015	Rubber Ring			1
39	1 601 110 358	Reference Plate	CAUTION		1
40	1 600 150 009	Spring Washer	Ø32,3xØ43,5x0,6 MM		1
41	1 605 500 089	Sealing cap	BLUE		1
42	1 605 132 083	Handle	BLUE		1
43	1 601 110 058	Reference Plate	DOUBLE INSULATION		1
44	1 600 120 070	Faceplate			1
45	1 601 331 032	Holding Bracket			1
50	1 900 905 227	groove ball bearing	6203-2 Z DIN 625		1

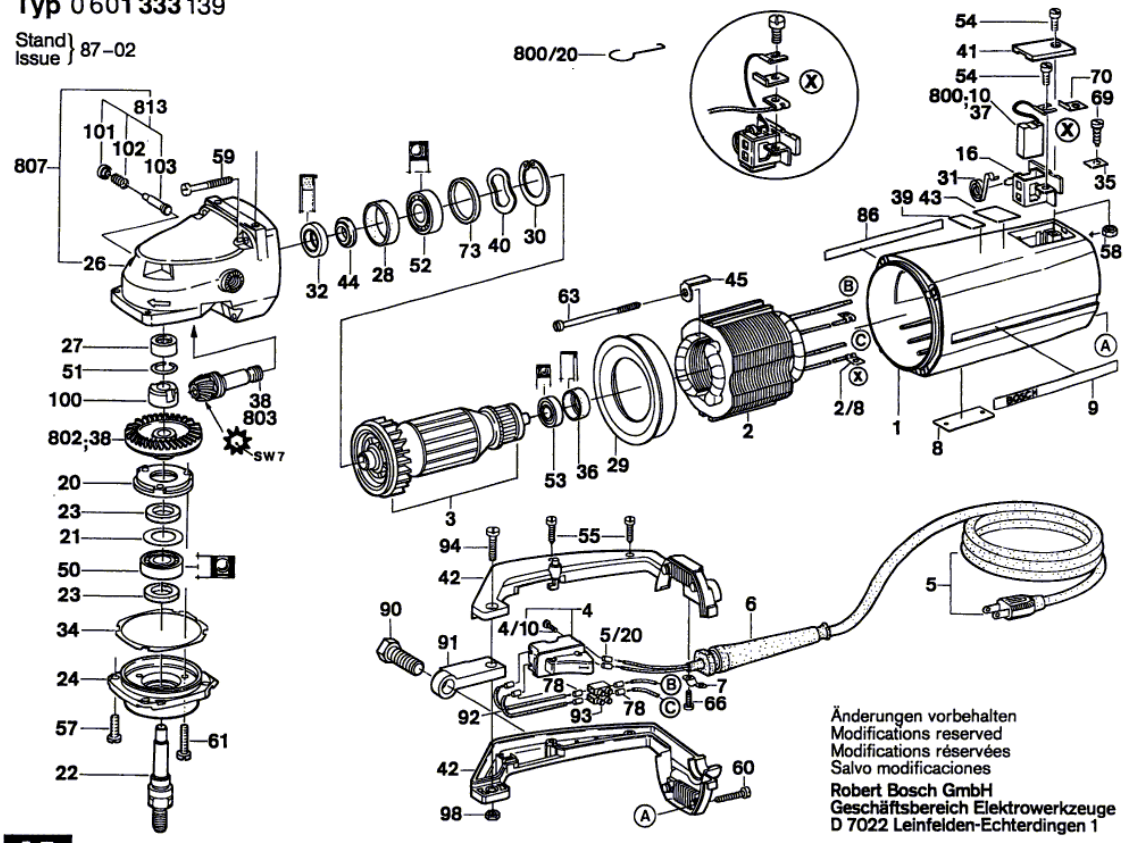
Spare parts list

Item	Part Number	Description	Illustration
51	2 916 620 011	Retaining ring Ø22 MM	1
52	1 900 900 413	groove ball bearing 6203-TH/C3 DIN 625	1
53	1 600 900 029	groove ball bearing	1
54	2 910 021 118	Socket head cap screw DIN 84-AM4x8-8.8	1
55	2 910 211 021	Tapping Screw DIN 7971-ST3,9x22-F	1
57	2 910 011 157	Socket head cap screw DIN 84-AM5x15-5.8	1
58	2 915 011 005	Hex Nut DIN 934 -M4-m-8	1
59	3 603 415 560	Screw B 4,8x45 MM	1
60	2 910 211 036	Tapping Screw DIN 7971-ST4,8x25-F	1
61	2 910 011 162	Socket head cap screw DIN 84-AM5x20-5.8	1
63	1 603 429 001	Tapping Screw B4,8x85 MM	1
69	2 910 211 011	Tapping Screw DIN 7971-BZ3,5x13	1
70	1 611 331 007	Tab Washer	1
73	1 600 200 022	Retaining snap ring	1
78	1 900 452 003	End Splice DIN 46 228-A2,5-7	1
86	1 601 110 073	Sticker DOUBLE INSULATION	1
100	1 600 390 010	Grooved Ring	1
101	1 603 231 008	Push-Button	1
102	1 604 611 024	Compression Spring	1
103	1 603 123 030	Detent Pin	1
800	1 607 014 103	Carbon-Brush Set	1
802	1 606 333 187	Crown Gear Z=62	1
803	1 606 333 185	Pinion Z=13, M12	1
807	1 607 000 904	Parts Set	1
813	1 607 000 161	Parts Set	1

Illustration - Type - E

Typ 0 601 333 139

Stand } 87-02
Issue }



Änderungen vorbehalten
 Modifications reserved
 Modifications réservées
 Salvo modificaciones
 Robert Bosch GmbH
 Geschäftsbereich Elektrowerkzeuge
 D 7022 Leinfelden-Echterdingen 1

A5