



BOSCH

Angle Grinder

----- | 0 601 332 039

Table of Content

Spare parts list.....	2
Illustration - Type.....	4

Spare parts list

Item	Part Number	Description	Illustration
2	1 604 220 247	Field 115V	1
5	1 604 460 092	Power supply cord 2,08mm SJ 14/2 USA/CDN 2,15m 2 x	1
6	3 600 703 011	Grommet Ø9,2-Ø12x120 MM	1
7	1 601 302 014	Fastening Clamp	1
15	1 600 113 002	Seal	1
16	1 604 336 008	Brush Holder	1
17	1 601 037 006	Cover Plate	1
18	1 601 014 005	Profile Strip 3,4x7x240 MM	1
19	1 602 026 041	Control Lever	1
20	1 605 808 054	Bearing cover	1
21	1 600 102 012	Cover Disc	1
22	1 603 523 091	Grinding Spindle 5/8"-UNC-2A	1
23	1 600 108 055	Sealing disk	1
25	1 600 306 001	Grommet	1
26	1 605 806 347	Gear Housing	1
27	1 600 910 010	Needle bearing Ø22x11,3 MM	1
28	1 600 206 022	Rubber Ring	1
29	1 600 502 013	Guide Pulley	1
30	1 600 119 004	Spring retaining ring	1
31	1 604 652 015	Spiral Spring	1
32	1 600 290 008	Rotary shaft lip seal WHITE	1
34	1 600 190 004	Shim 0,1 MM THICK	1
34	1 600 190 005	Shim 0,2 MM THICK	1
35	1 601 030 022	Tab Washer	1
36	1 600 502 006	Rubber Bushing	1
40	1 600 150 009	Spring Washer Ø32,3xØ43,5x0,6 MM	1
41	1 605 500 089	Sealing cap BLUE	1
42	1 605 132 083	Handle BLUE	1
44	1 600 120 070	Faceplate	1
45	1 601 331 032	Holding Bracket	1
50	1 900 905 227	groove ball bearing 6203-2 Z DIN 625	1
51	2 916 620 011	Retaining ring Ø22 MM	1
52	1 900 900 413	groove ball bearing 6203-TH/C3 DIN 625	1
53	1 600 900 029	groove ball bearing	1

Spare parts list

Item	Part Number	Description		Illustration
54	2 910 021 118	Socket head cap screw	DIN 84-AM4x8-8.8	1
55	2 910 211 021	Tapping Screw	DIN 7971-ST3,9x22-F	1
56	2 916 011 005	Plain Washer	DIN 433-3,2-ST 50	1
57	2 910 011 157	Socket head cap screw	DIN 84-AM5x15-5.8	1
58	2 915 011 005	Hex Nut	DIN 934 -M4-m-8	1
59	3 603 415 560	Screw	B 4,8x45 MM	1
60	2 910 211 036	Tapping Screw	DIN 7971-ST4,8x25-F	1
61	2 910 011 162	Socket head cap screw	DIN 84-AM5x20-5.8	1
62	1 603 300 009	Hex Nut	M12x1,5 MM	1
63	1 603 429 001	Tapping Screw	B4,8x85 MM	1
66	2 910 021 116	Socket head cap screw	DIN 84-AM4x6-8.8	1
650	1 602 025 09Z	Auxiliary Handle		1
650	1 602 025 0A1	Auxiliary Handle		1
800	1 607 014 103	Carbon-Brush Set		1
801	1 604 440 004	Connecting Cable		1
802	1 606 333 208	Crown Gear	Z=55	1
803	1 606 333 207	Bevel Gear	Z=15	1
804	1 607 000 034	Switch Kit		1
806	1 604 012 046	Armature	100-115V	1
4	1 607 200 064	Switch		2
39	1 601 110 358	Reference Plate	CAUTION	2
43	1 601 110 058	Reference Plate	DOUBLE INSULATION	2
78	3 604 477 009	End Splice		2
86	1 601 110 073	Sticker	DOUBLE INSULATION	2
657	1 608 039 008	Storage Ledge		2
658	2 910 021 196	Socket head cap screw	DIN 84-AM6x15-8.8	2
700	1 607 000 151	Parts Set		3

Illustration - Type - E

Typ 0 601 331 0...; 1 332 0...; 1 333 0...
 1 331 9...; 1 332 9...; 1 333 9...
 Stand 80-03

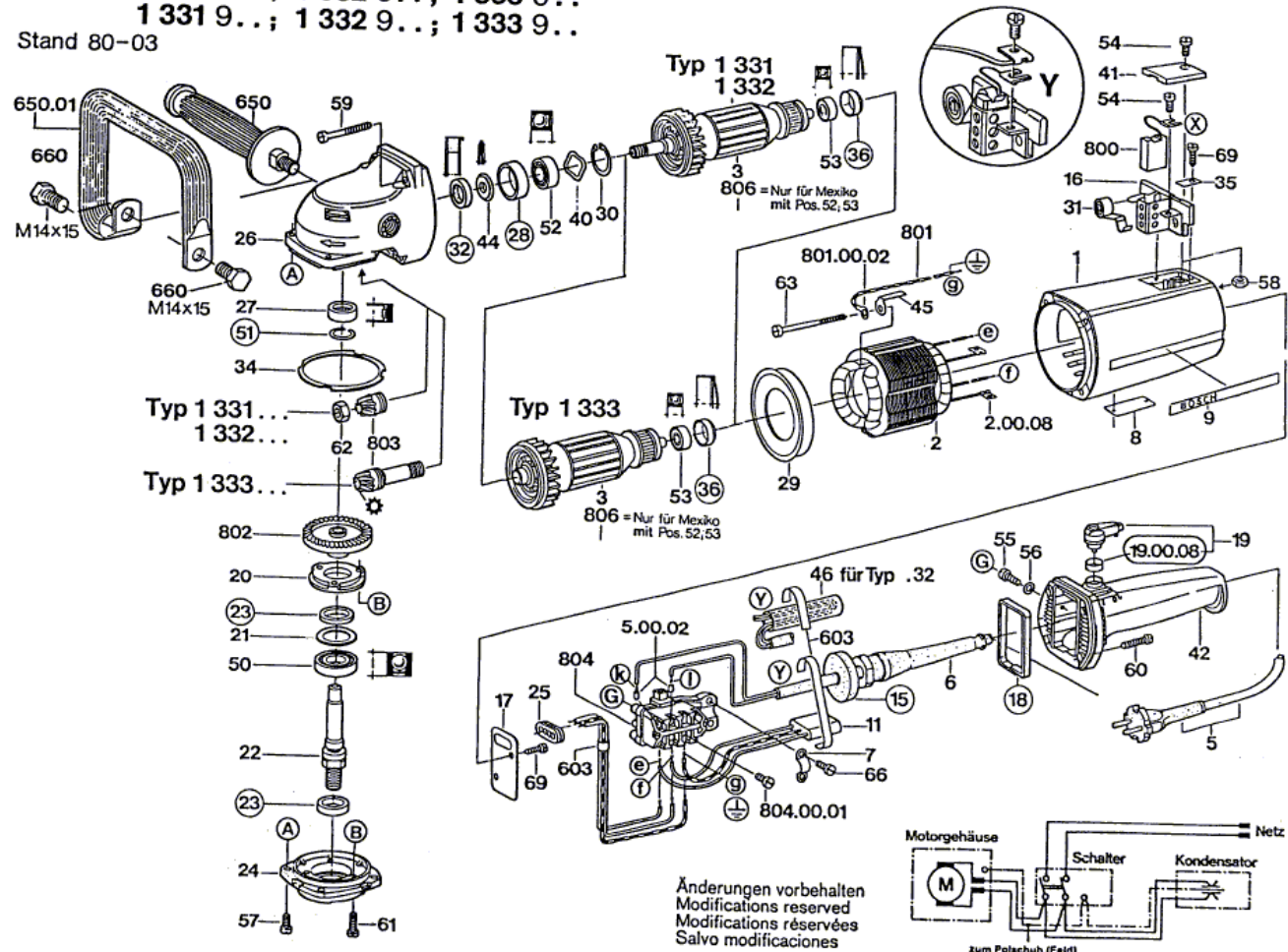
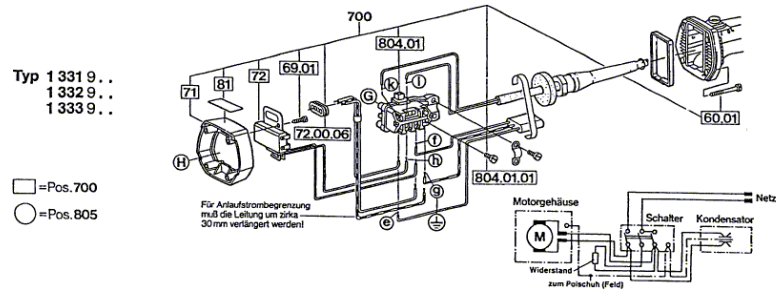


Illustration - Type - E

Typ 0 601 331 0.. ; 1 332 0.. ; 1 333 0..
 1 331 9.. ; 1 332 9.. ; 1 333 9..
 Stand 80-03



A4

Änderungen vorbehalten
 Modifications reserved
 Modifications réservées
 Salvo modificaciones
 Robert Bosch GmbH
 Geschäftsbereich Elektrowerkzeuge
 D 7022 Leinfelden-Echterdingen 1