



BOSCH

Angle Grinder

----- | 0 601 320 039

Table of Content

| | |
|--------------------------|---|
| Spare parts list..... | 2 |
| Illustration - Type..... | 4 |

Spare parts list

| Item | Part Number | Description | Illustration |
|-------|---------------|------------------------------|--------------|
| 1 | 1 605 108 065 | Motor Housing | 1 |
| 2 | 1 604 336 006 | Brush Holder | 1 |
| 3 | 1 604 220 099 | Field 115V | 1 |
| 4 | 1 604 011 222 | Armature 115V | 1 |
| 4/19 | 1 600 108 018 | Felt Disc | 1 |
| 4/22 | 1 603 344 029 | Threaded Ring | 1 |
| 4/23 | 1 600 101 635 | Shim 0,05 MM THICK | 1 |
| 4/26 | 1 600 501 024 | Cover Disc | 1 |
| 4/28 | 1 604 601 013 | Retaining ring | 1 |
| 4/29 | 1 600 900 015 | groove ball bearing | 1 |
| 4/31 | 2 910 511 122 | Countersunk-Head Screw | 1 |
| 4/80 | 1 605 820 901 | Intermediate Bearing | 1 |
| 6 | 1 604 652 015 | Spiral Spring | 1 |
| 8 | 1 605 500 059 | Sealing cap | 1 |
| 11 | 1 605 132 051 | Handle | 1 |
| 11/01 | 1 601 014 000 | Sealing Cord | 1 |
| 12 | 1 607 329 005 | Suppression Capacitor | 1 |
| 13 | 1 600 113 002 | Seal | 1 |
| 14 | 1 604 461 027 | Power supply cord | 1 |
| 15 | 1 600 703 009 | Grommet Ø11,5-Ø15,0x150 MM | 1 |
| 16 | 1 607 000 034 | Switch Kit | 1 |
| 19 | 1 601 302 013 | Fastening Clamp | 1 |
| 21 | 1 600 210 005 | O-Ring 66,0x3,0 MM | 1 |
| 22 | 1 600 209 008 | Air-Deflector Ring | 1 |
| 23 | 1 605 806 172 | Gear Housing | 1 |
| 24 | 1 605 805 038 | Flanged Bearing | 1 |
| 25 | 1 900 900 352 | groove ball bearing 17x47x14 | 1 |
| 26 | 1 600 521 013 | Conical Spring Washer | 1 |
| 27 | 1 603 523 032 | Grinding Spindle M14x1,5 MM | 1 |
| 27 | 1 603 523 091 | Grinding Spindle 5/8"-UNC-2A | 1 |
| 30 | 1 600 101 616 | Shim 0,1 MM THICK | 1 |
| 30 | 1 600 101 617 | Shim 0,2 MM THICK | 1 |
| 30 | 1 600 101 618 | Shim 0,3 MM THICK | 1 |
| 30 | 1 600 101 619 | Shim 0,05 MM THICK | 1 |
| 32 | 1 600 108 048 | Sealing disk | 1 |

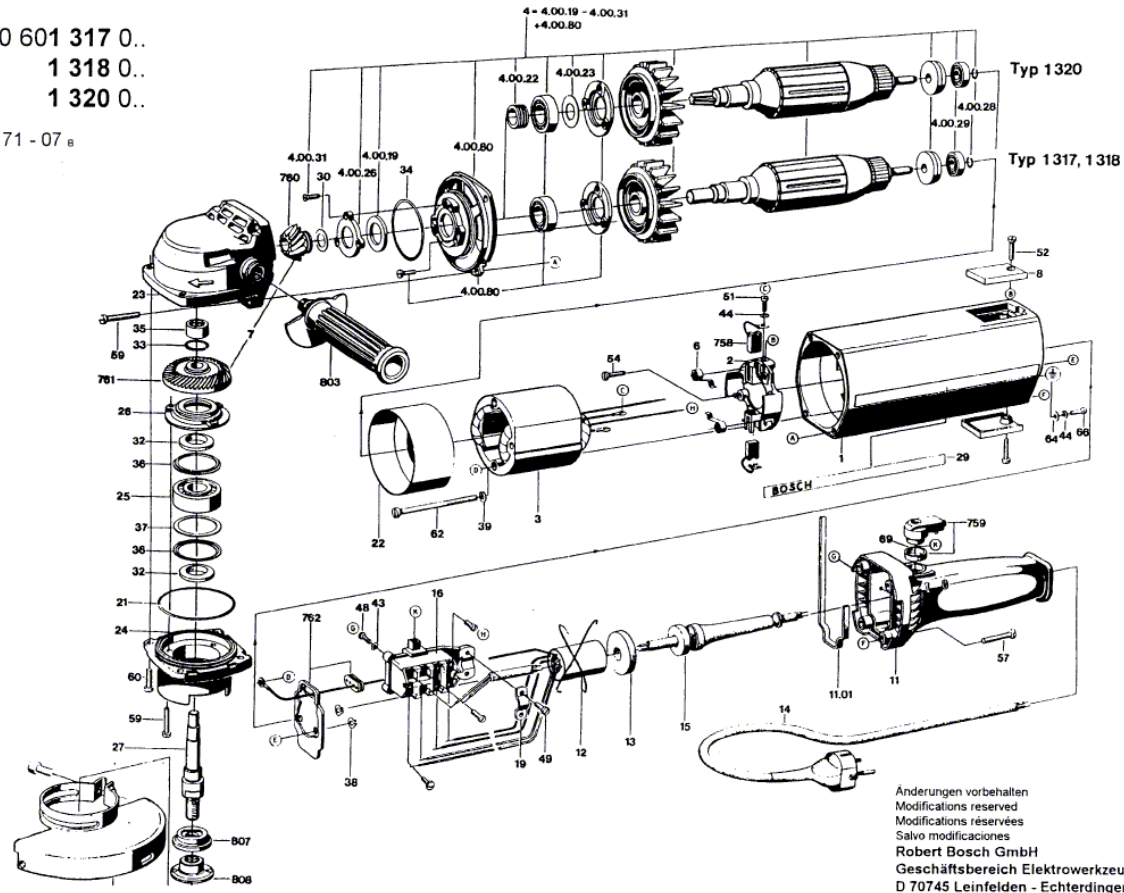
Spare parts list

| Item | Part Number | Description | Illustration |
|------|---------------|--|--------------|
| 33 | 2 916 620 011 | Retaining ring Ø22 MM | 1 |
| 34 | 1 600 210 004 | O-Ring 54,0x3,0 MM | 1 |
| 35 | 1 600 910 010 | Needle bearing Ø22x11,3 MM | 1 |
| 36 | 2 100 551 000 | Plain Washer | 1 |
| 37 | 1 600 102 638 | Shim 0,05 MM THICK | 1 |
| 37 | 1 600 102 639 | Shim 0,1 MM THICK | 1 |
| 37 | 1 600 102 640 | Shim 0,15 MM THICK | 1 |
| 38 | 1 600 118 001 | Spring retaining ring | 1 |
| 39 | 2 916 680 006 | Spring Lock Washer DIN 127-B 5 | 1 |
| 43 | 2 916 060 003 | Spring Washer A 3 DIN 137-ST | 1 |
| 44 | 1 600 150 006 | Spring Washer DIN 137-A4 | 1 |
| 48 | 2 910 021 050 | Socket head cap screw DIN 84-AM3x8-8.8 | 1 |
| 49 | 2 910 011 122 | Socket head cap screw DIN 84-AM4x12-5.8 | 1 |
| 51 | 2 910 011 120 | Socket head cap screw DIN 84-AM4x10-5.8 | 1 |
| 52 | 2 910 021 125 | Socket head cap screw DIN 84-AM4x15-8.8 | 1 |
| 54 | 2 910 211 019 | Tapping Screw DIN 7971-ST3,9x16-F | 1 |
| 57 | 2 910 011 166 | Socket head cap screw DIN 84-BM5x30-5.8 | 1 |
| 59 | 2 910 011 164 | Socket head cap screw DIN 84-AM5x25-5.8 | 1 |
| 60 | 2 910 011 157 | Socket head cap screw DIN 84-AM5x15-5.8 | 1 |
| 62 | 1 603 410 001 | Socket head cap screw DIN 84-BM5x82 | 1 |
| 64 | 2 916 010 410 | Plain Washer A 4,3 DIN 125-ST | 1 |
| 66 | 2 910 110 118 | Pan head screw DIN 85-AM4x8-MS | 1 |
| 69 | 1 600 205 008 | Felt Washer | 1 |
| 758 | 1 607 014 102 | Carbon-Brush Set | 1 |
| 759 | 1 602 026 030 | Control Lever | 1 |
| 760 | 1 606 333 123 | Bevel Gear Z=13 | 1 |
| 761 | 1 606 333 102 | Crown Gear Z=44 | 1 |
| 762 | 1 602 388 007 | Sealing Plate | 1 |
| 803 | 1 602 025 09Z | Auxiliary Handle | 1 |
| 803 | 1 602 025 0A1 | Auxiliary Handle | 1 |
| 807 | 2 600 501 006 | Clamping-Flange Ø45 MM | 1 |
| 808 | 2 603 345 004 | Round Nut M14 | 1 |

Illustration - Type - E

Typ 0 601 317 0..
 1 318 0..
 1 320 0..

Stand 71 - 07 a
 Issue



Anderungen vorbehalten
 Modifications reserved
 Modifications réservées
 Salvo modificaciones
 Robert Bosch GmbH
 Geschäftsbereich Elektrowerkzeuge
 D 70745 Leinfelden - Echterdingen