



**BOSCH**

# Drill

----- | 0 601 170 004

---

## Table of Content

Spare parts list.....	2
Illustration - Type.....	5

## Spare parts list

Item	Part Number	Description	Illustration
2	1 604 336 005	Brush Holder	1
3	1 604 652 001	Spiral Spring	1
4	1 604 220 206	Field 100-120V	1
5	1 600 209 002	Air-Deflector Ring	1
7	1 609 991 110	Armature 110-115V	1
8	2 600 905 032	Ball Bearing 7x19x6	1
12	3 605 500 057	Sealing cap BLUE	1
15	1 607 200 037	Switch	1
15	1 607 200 078	Switch	1
16	1 604 460 023	Power supply cord	1
17	3 600 703 011	Grommet Ø9,2-Ø12x120 MM	1
19	1 607 328 012	Suppression Filter	1
20	1 601 110 058	Reference Plate DOUBLE INSULATION	1
21	1 602 381 001	Insulating Strip 33x10x6 MM	1
25	1 601 110 004	Manufacturer's nameplate	1
27	1 600 210 006	O-Ring 74,0x3,0 MM	1
28	1 601 302 014	Fastening Clamp	1
30	2 910 211 019	Tapping Screw DIN 7971-ST3,9x16-F	1
31	2 910 021 154	Socket head cap screw DIN 84-AM5x12-8.8	1
33	1 603 435 006	Tapping Screw B4,8x90 MM	1
34	2 910 021 176	Dummy DIN 84-BM5x55-8.8	1
35	2 910 021 163	Dummy DIN 84-AM5x22-8.8	1
37	2 910 021 118	Socket head cap screw DIN 84-AM4x8-8.8	1
38	2 910 021 116	Socket head cap screw DIN 84-AM4x6-8.8	1
39	2 910 021 128	Socket head cap screw DIN 84-AM4x18-8.8	1
39	2 910 211 021	Tapping Screw DIN 7971-ST3,9x22-F	1
41	2 916 680 006	Spring Lock Washer DIN 127-B 5	1
42	1 600 150 006	Spring Washer DIN 137-A4	1
44	2 910 110 116	Pan head screw DIN 85 AM 4x6-MS	1
45	2 916 690 003	Spring Lock Washer DIN 128-A4-FST	1
46	2 916 010 410	Plain Washer A 4,3 DIN 125-ST	1
49	5 635 211 305	Insulating Tube	1
50	3 604 477 009	End Splice	1
60	1 605 806 276	Spindle Bearing	1
61	1 606 490 004	Locating Washer	1

## Spare parts list

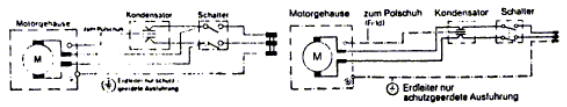
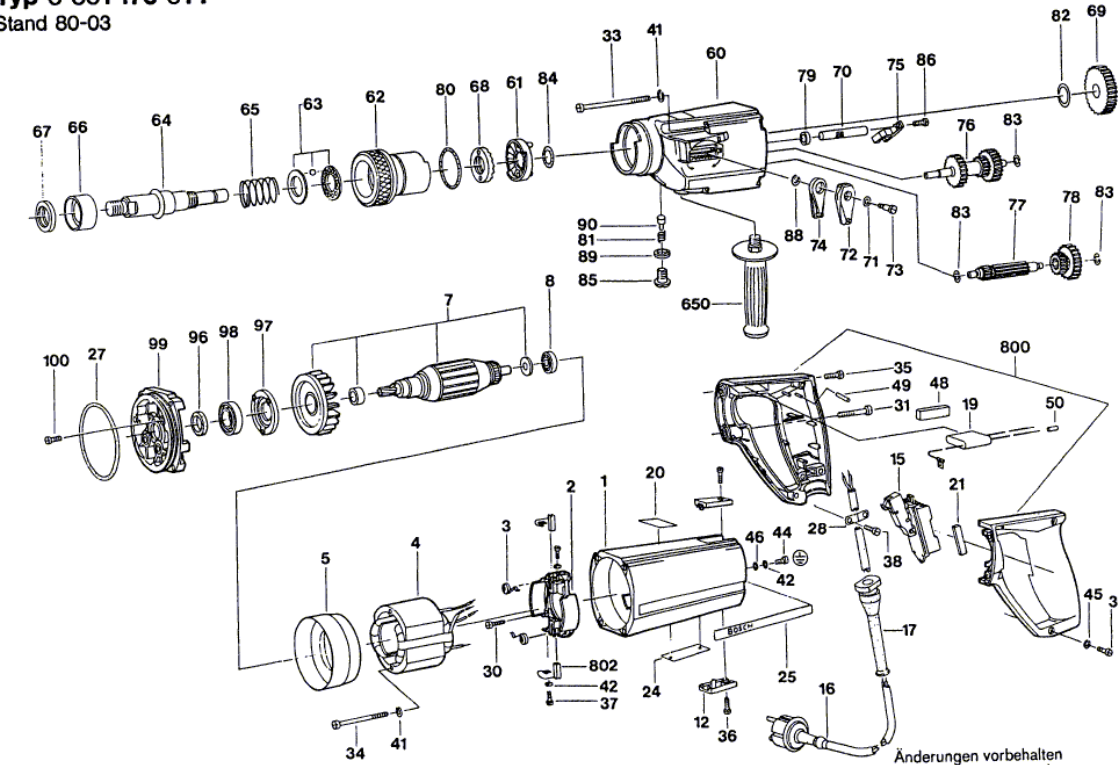
Item	Part Number	Description	Illustration
62	1 600 328 015	Guide Bushing	1
63	1 900 920 004	D-Groove Ball Thr Bearing	1
64	1 603 526 002	Drilling Spindle	1
65	1 604 616 001	Compression Spring	1
66	1 600 300 039	Bushing	1
67	1 600 281 004	Seal Ring	1
68	1 606 490 006	Locating Washer	1
69	1 603 317 045	Toothed Gear Z=50	1
70	1 603 104 005	Adjusting bolt	1
71	1 420 100 620	Shim 0,2 MM THICK	1
72	1 602 026 037	Control Lever	1
73	1 603 413 005	Socket head cap screw M3,5x5,5 MM	1
74	1 602 388 010	Rubber Profile	1
75	1 602 120 006	Control Lever	1
76	1 606 328 049	Toothed Gear Z=21	1
77	1 606 309 036	Spindle With Gear Z=12	1
78	1 606 328 063	Toothed Gear Z=26/35	1
79	1 600 283 003	Rotary shaft lip seal	1
80	1 900 210 143	O-Ring 40x3MM	1
81	1 234 611 000	Compression Spring	1
82	1 600 101 615	Shim	1
83	1 710 100 040	Shim	1
84	1 410 210 010	Seal Ring 16,0x3,0 MM	1
85	1 603 418 001	Hollow Bolt	1
86	2 910 021 122	Socket head cap screw DIN 84-AM4x12-8.8	1
88	2 916 680 004	Spring Lock Washer DIN 127-B3,5	1
89	2 916 680 010	Spring Lock Washer	1
90	1 603 203 007	Guiding bolt	1
96	1 600 108 003	Felt Disc	1
97	1 600 501 019	Bearing cover	1
98	1 600 900 001	groove ball bearing 17x35x10	1
99	1 605 820 038	Bearing Flange	1
100	2 910 021 125	Socket head cap screw DIN 84-AM4x15-8.8	1
650	1 602 025 09Z	Auxiliary Handle	1
650	1 602 025 0A1	Auxiliary Handle	1

**Spare parts list**

<b>Item</b>	<b>Part Number</b>	<b>Description</b>	<b>Illustration</b>
800	3 605 133 019	Handle BLACK	1
802	1 607 014 101	Carbon-Brush Set	1

Illustration - Type - E

Typ 0 601 170 0...  
Stand 80-03



Änderungen vorbehalten  
Modifications reserved  
Modifications réservées  
Salvo modificaciones  
Robert Bosch GmbH  
Geschäftsbereich Elektrowerkzeuge  
D 7022 Leinfelden-Echterdingen 1

