



SERVICE PARTS LIST

BUL. 54-05-0111

0-500 R.P.M. REVERSING DRAIN CLEANER

REVISED BUL 54-05-0110 DATE Dec. '72

Catalog No. 0565-1

Starting Serial No. **467-1876**

WIRING INSTR. **58-01-0645**

Both Model and Serial No. must be furnished to obtain correct parts.

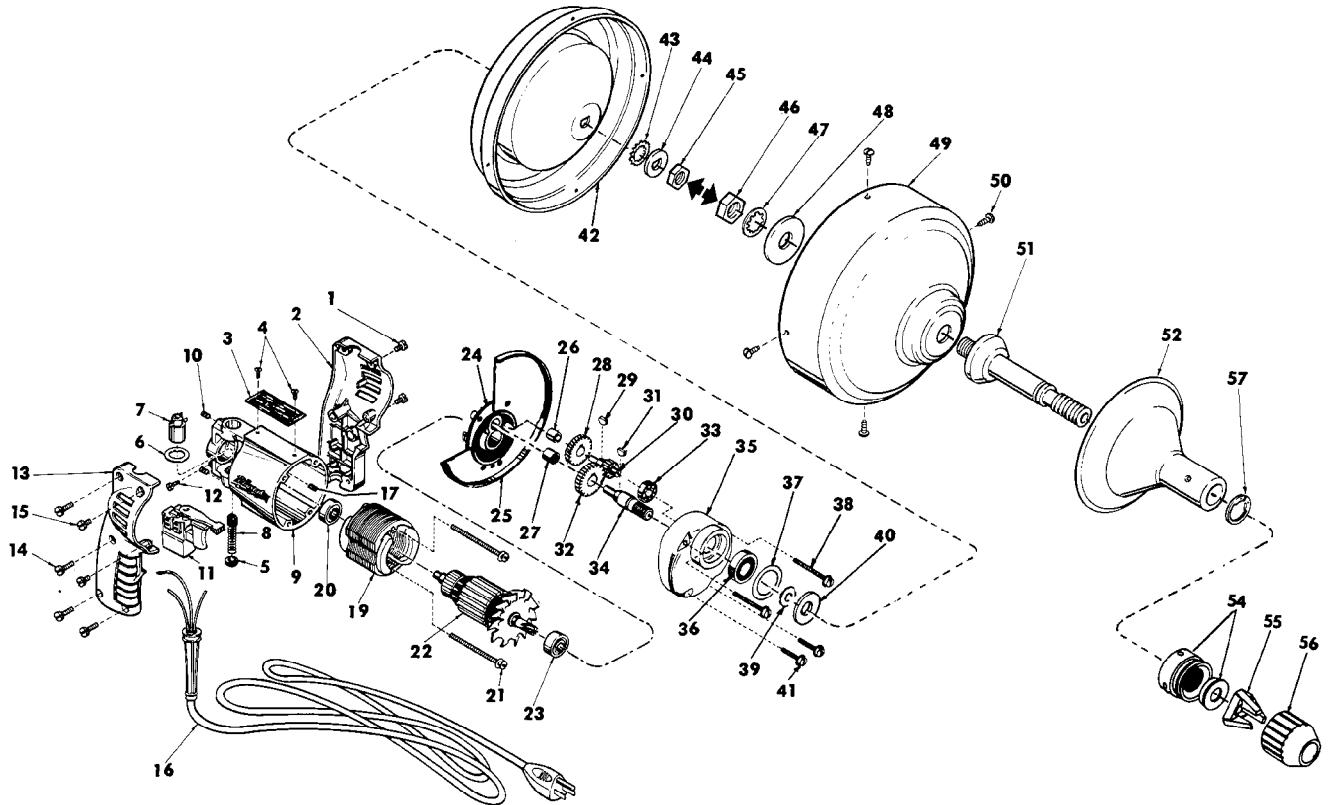


FIG.	PART NO.	DESCRIPTION OF PART	NO. REQ.
1	06-81-0450	8-32x3/8 Pan Hd. Handle Mtg. Scr.	(2)
★ 2	31-44-0290	L.H. Handle Half	
3	12-99-0022	Name Plate	
4	06-85-0200	Name Plate Screws	(2)
5	23-44-0020	Brush Retaining Cap	(2)
6	23-86-0105	Insulating Washer	(2)
7	22-22-0251	Brush Holder Assy.	(2)
8	22-18-0360	Carbon Brush Assy.	(2)
9	28-50-6091	Motor Housing (incl. fig. 17)	
10	06-83-2430	10-32 x 1/4 Hdls. Skt. Screw	(2)
★ 11	23-66-0797	Rev. Speed Control Switch	
★ 12	06-81-8625	6-32 x 1/4 Ground Screw	
★ 13	31-44-0280	R.H. Handle Half	
14	06-81-0400	8-32x3/4 Pan Hd. Handle Mtg. Scr.	(4)
15	06-81-0450	8-32x3/8 Pan Hd. Handle Mtg. Scr.	(2)
★ 16	22-64-0665	Cord Set	
17	45-30-0120	Ball Bearing Ret. Slug	
19	18-22-1060	Field	
20	02-04-0740	Ball Bearing	
21	06-81-5950	6-32x1-7/8 Fil.Hd. Sems Field Scrs.	(2)
22	16-22-1221	Armature Assy.	
23	02-04-0740	Ball Bearing	
24	28-28-0221	Diaphragm	
25	45-12-0210	Shield	
26	02-50-1210	Needle Bearing	
27	02-50-1640	Needle Bearing	
28	32-40-1121	Intermediate Gear	
29	06-42-0400	Woodruff Key	

FIG.	PART NO.	DESCRIPTION OF PART	NO. REQ.
30	36-66-0851	Intermediate Pinion Shaft	
31	06-42-0800	Woodruff Key	
32	32-75-1101	Spindle Gear	
33	02-04-0640	Ball Bearing	
34	38-50-4001	Spindle	
35	28-14-0363	Gear Case	
36	02-04-1020	Ball Bearing	
37	34-80-1400	Retaining Ring	
38	06-81-6575	8-32 x 1-5/8 Fil.HD. Sems	(2)
39	45-88-0080	Spacer	
40	45-36-0621	Spacer	
41	06-81-6350	8-32 x 1 Fil.Hd. Sems	(2)
42	43-11-0010	Upper Drum Section	
43	06-97-4130	Lock Washer	
44	45-88-7235	"D" Hole Washer	
45	06-55-2450	3/8-24 Hex Nut	
46	06-55-3760	Hex Nut	
47	06-97-3010	Internal Lockwasher	
48	45-88-7175	Wrought Washer	
49	43-11-0011	Lower Drum Section	
50	06-85-1800	Phillips Hd. Self Tap. Scrs.	(4)
51	38-50-5055	Spindle Assembly	
52	43-54-0220	Hand Guard Assembly	
53	48-66-0270	Chuck (fig. nos. 54 thru 56)	
54	42-30-0270	Chuck Body and Thrust Plug	
55	42-77-0010	Chuck Collet	
56	45-22-0310	Chuck Sleeve	
57	34-60-2310	Retaining Ring	