



SERVICE PARTS LIST

BUL.54-05-0101

DRAIN CLEANER

REVISED BUL
54-05-0100

DATE
Aug. '70

Catalog No. 0562-1

Starting
Serial No. **432-3487**

WIRING INSTR.
58-01-0650

Both Model and Serial No. must be furnished to obtain correct parts.

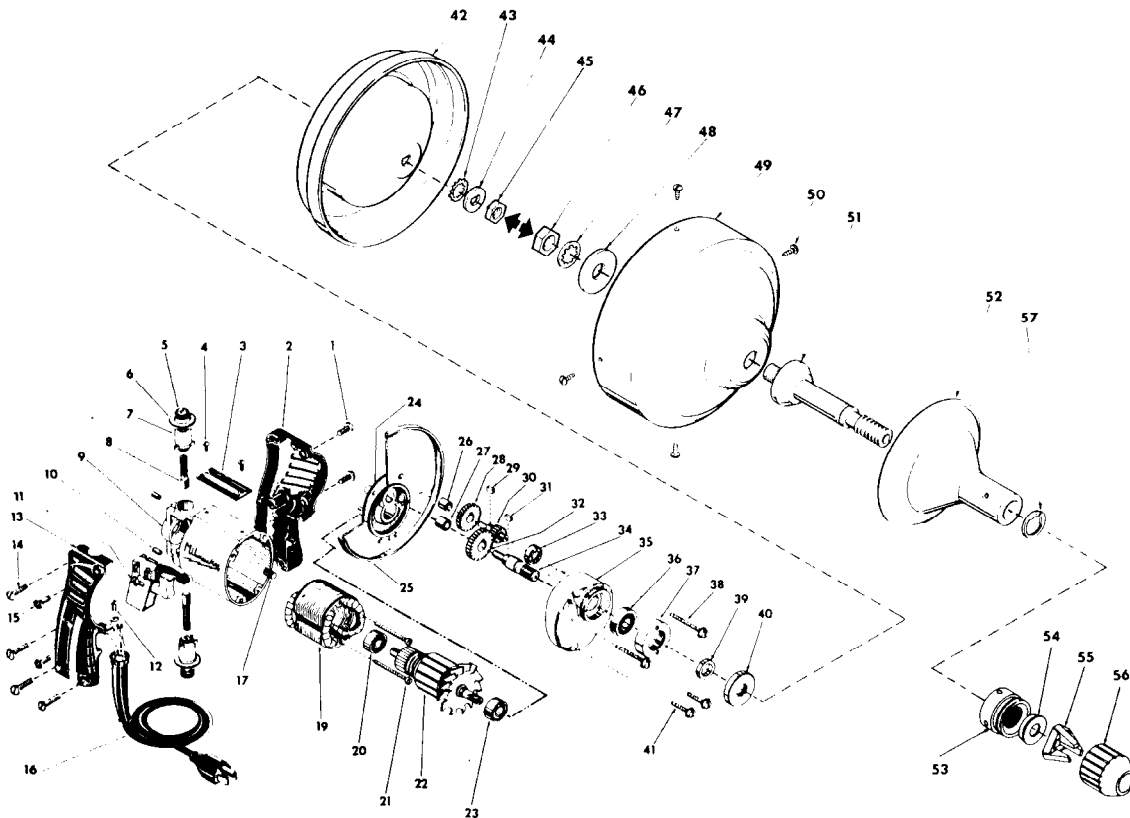


FIG.	PART NO.	DESCRIPTION OF PART	NO. REQ.
1	06-81-0450	8-32x3/8 Pan Hd, Handle Mtg. Scr.	(2)
2	31-44-0261	L,H, Handle Half	
3	12-98-0600	Name Plate	
★4	06-85-0200	Name Plate Screws	(2)
5	23-44-0020	Brush Retaining Cap	(2)
6	23-86-0070	Insulating Washer	(2)
7	22-22-0251	Brush Holder Assy.	(2)
8	22-18-0360	Carbon Brush Assy.	(2)
9	28-50-6091	Motor Housing	
10	06-83-2430	10-32x1/4 Socket Hd,Br.Hld, Set Scr.	(2)
11	23-66-0795	Rev. Speed Control Switch	
12	06-81-8625	6-32x1/4 Sems Ground Screw	
13	31-44-0250	R,H, Handle Half	
14	06-81-0400	8-32x3/4 Pan Hd, Handle Mtg. Scr.	(4)
15	06-81-0450	8-32x3/8 Pan Hd, Handle Mtg. Scr.	(2)
★16	22-64-0660	Cord Set	
17	45-30-0120	Ball Bearing Ret. Slug	
19	18-22-1060	Field	
20	02-04-0740	Ball Bearing	
21	06-81-5950	6-32x1-7/8 Fil,Hd, Sems Field Scr.	(2)
22	16-22-1160	Armature Assy.	
23	02-04-0740	Ball Bearing	
24	28-28-0221	Diaphragm	
25	45-12-0210	Shield	
26	02-50-1210	Needle Bearing	
27	02-50-1640	Needle Bearing	
28	32-40-1121	Intermediate Gear	
29	06-42-0400	Woodruff Key	

FIG.	PART NO.	DESCRIPTION OF PART	NO. REQ.
30	36-66-0851	Intermediate Pinion Shaft	
31	06-42-0800	Woodruff Key	
32	32-75-1101	Spindle Gear	
33	02-04-0640	Ball Bearing	
34	38-50-4001	Spindle	
35	28-14-0361	Gear Case	
36	02-04-1020	Ball Bearing	
37	42-52-0060	Bearing Cap	
38	06-81-6550	8-32x1 1/2 Fil,Hd, Sems Gear Case Scr.	(2)
★39	45-88-0080	Spacer	
★40	45-36-0620	Spacer	
41	06-81-6300	8-32x7/8 Fil,Hd, Sems Gear Case Scr.	(2)
42	43-11-0010	Upper Drum Section	
★43	06-97-4130	Lock Washer	
★44	45-88-7235	"D" Hole Washer	
★45	06-55-2450	Hex Nut	
46	06-55-3760	Hex Nut	
47	06-97-3010	Internal Lockwasher	
48	45-88-7175	Wrought Washer	
49	43-11-0011	Lower Drum Section	
50	06-85-1800	Phillips Hd, Self Tap. Scr.	(4)
51	38-50-5055	Spindle Assembly	
52	43-54-0220	Hand Guard Assembly	
53	42-30-0270	Chuck Body (Includes Item 54)	
54		Thrust Plug (See Item 53)	
55	42-77-0010	Chuck Collet	
56	45-22-0310	Chuck Sleeve	
57	34-60-2310	Retaining Ring	