



SERVICE PARTS LIST

BUL. 54-05-0100

DRAIN CLEANER

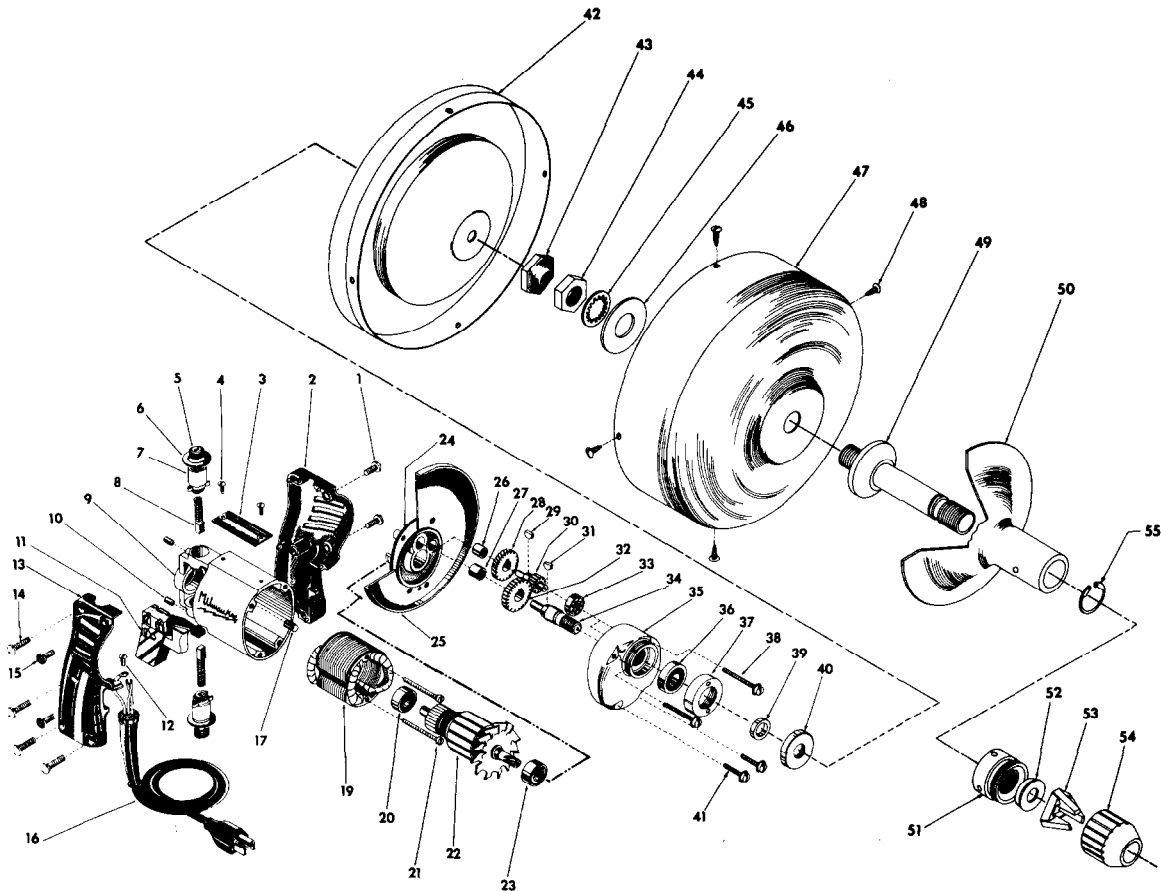
REVISED BUL DATE
May '69

Catalog No. **0562-1**

Starting Serial No. **432-1001**

WIRING INSTR. **58-01-0650**

Both Model and Serial No. must be furnished to obtain correct parts.



ILLUSTRATED PARTS

FIG.	PART NO.	DESCRIPTION OF PART	NO. REQ.	FIG.	PART NO.	DESCRIPTION OF PART	NO. REQ.
1	06-81-0450	8-32x3/8 Pan Hd. Handle Mtg.Scr.	(2)	30	36-66-0851	Intermediate Pinion Shaft	
2	31-44-0261	L.H. Handle Half		31	06-42-0800	Woodruff Key	
3	12-98-0600	Name Plate		32	32-75-1101	Spindle Gear	
4	06-77-0625	Name Plate Drive Screws	(2)	33	02-04-0640	Ball Bearing	
5	23-44-0020	Brush Retaining Cap	(2)	34	38-50-4001	Spindle	
6	23-86-0070	Insulating Washer	(2)	35	28-14-0361	Gear Case	
7	22-22-0251	Brush Holder Assy.	(2)	36	02-04-1020	Ball Bearing	
8	22-18-0360	Carbon Brush Assy.	(2)	37	42-52-0060	Bearing Cap	
9	28-50-6091	Motor Housing		38	06-81-6550	8-32x1 1/2 Fil.Hd. Sems Gear Case Scrs. (2)	
10	06-83-2430	10-32x 1/4 Socket Hd.Br.Hld. Set Scrs. (2)		39	45-36-0661	Spacer	
11	23-66-0795	Rev. Speed Control Switch		40	44-40-0305	Spindle Nut	
12	06-81-8625	6-32x 1/4 (Bronze) Rd.Hd. Sems Ground Scr.		41	06-81-6300	8-32x7/8 Fil.Hd. Sems Gear Case Scrs. (2)	
13	31-44-0250	R.H. Handle Half		42	43-11-0010	Upper Drum Section	
14	06-81-0400	8-32x 3/4 Pan Hd. Handle Mtg.Scr.	(4)	43	44-40-0306	End Nut	
15	06-81-0450	8-32x3/8 Pan Hd. Handle Mtg. Scr.	(2)	44	06-55-3760	Hex Nut	
16	22-64-0450	Cord Set		45	06-97-3010	Internal Lockwasher	
17	45-30-0120	Ball Bearing Ret. Slug		46	45-88-7175	Wrought Washer	
19	18-22-1060	Field		47	43-11-0011	Lower Drum Section	
20	02-04-0740	Ball Bearing		48	06-85-1800	Phillips Hd. Self Tap. Scrs. (4)	
21	06-81-5950	6-32x1-7/8 Fil.Hd. Sems Field Scrs. (2)		49	38-50-5055	Spindle Assembly	
22	16-22-1160	Armature Assy.		50	43-54-0220	Hand Guard Assembly	
23	02-04-0740	Ball Bearing		51	42-30-0270	Chuck Body (Includes Item 52)	
24	28-28-0221	Diaphragm		52		Thrust Plug (See Item 51)	
25	45-12-0210	Shield		53	42-77-0010	Chuck Collet	
26	02-50-1210	Needle Bearing		54	45-22-0310	Chuck Sleeve	
27	02-50-1640	Needle Bearing		55	34-60-2310	Retaining Ring	
28	32-40-1121	Intermediate Gear					
29	06-42-0400	Woodruff Key					