

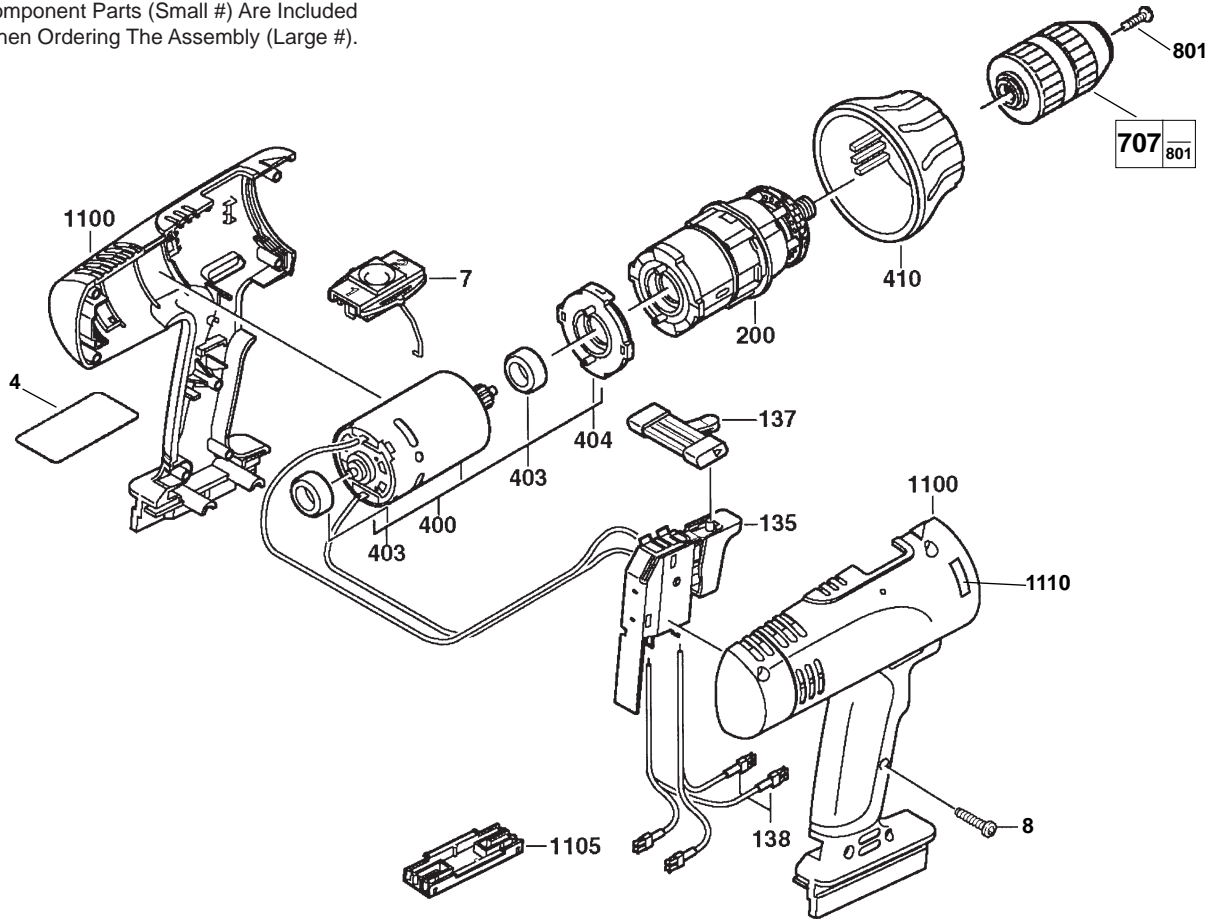


SERVICE PARTS LIST

BULLETIN NO.
54-24-2575

SPECIFY CATALOG NO. AND SERIAL NO. WHEN ORDERING PARTS		REVISED BULLETIN	DATE
18 VOLT 1/2" POWER PLUS HAMMER DRIVER DRILL			Feb. 2009
CATALOG NO.	0524-20	STARTING SERIAL NO.	980A
		WIRING INSTRUCTION See Inset	

EXAMPLE:
Component Parts (Small #) Are Included
When Ordering The Assembly (Large #).



NOTE:
Proper polarity in terminal block requires leads to be crossed as illustrated.

WARNING!
Switch polarity sensitive if wired incorrectly with terminal block (1105). Switch will be damaged and destroyed.

FIG.	PART NO.	DESCRIPTION OF PART	QTY.
4	12-20-1310	Service Nameplate	(1)
7	45-24-0090	Slide High / Low	(1)
8	06-82-7236	Screw	(7)
135	23-66-0605	Switch	(1)
137	45-24-0500	Reversing Shuttle	(1)
138	23-94-6390	Lead Wire Assembly	(2)
200	14-46-0514	Service Motor Gearcase Kit	(1)
400	23-30-0370	Motor	(1)
403	45-22-0340	Rubber Sleeve	(2)
404	44-66-5925	Motor Mount Plate	(1)
410	43-76-0680	Torque Selector Ring	(1)
707	48-66-1400	Keyless Chuck (Plastic)	(1)
707	48-66-1375	Keyless Chuck (All Metal)	(1)
---	---	Battery Pack (Not Shown)	(1)
801	06-82-1005	Chuck Screw	(1)
1100	31-50-0270	Housing Assembly	(1)
1105	22-56-0200	Terminal Block	(1)
1110	10-15-0190	Warning Label	(1)