



SERVICE PARTS LIST

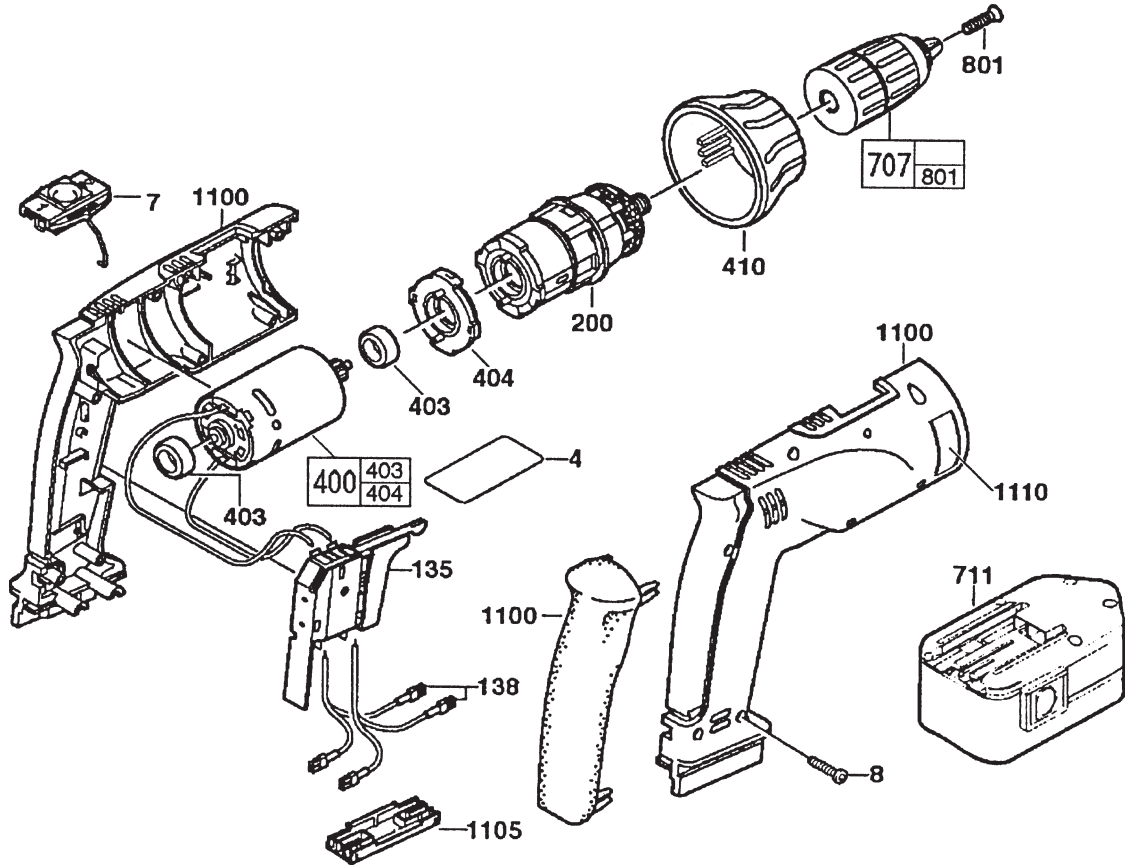
BULLETIN NO.
54-06-2225

SPECIFY CATALOG NO. AND SERIAL NO. WHEN ORDERING PARTS		REVISED BULLETIN	DATE
18 VOLT 1/2" POWER PLUS DRIVER DRILL			Feb. 2009
CATALOG NO.	0521-20	STARTING SERIAL NO.	951A
		WIRING INSTRUCTION See Inset	

EXAMPLE:

00	0
----	---

 Component Parts (Small #) Are Included When Ordering The Assembly (Large #).



NOTE:
Proper polarity in terminal block requires leads to be crossed as illustrated.

WARNING!
Switch polarity sensitive if wired incorrectly with terminal block (1105). Switch will be damaged and destroyed.

FIG.	PART NO.	DESCRIPTION OF PART	QTY
4	12-20-0720	Service Nameplate	(1)
7	45-24-0090	Slide High / Low	(1)
8	06-82-7236	Screw	(7)
135	23-66-0700	Switch	(1)
138	23-94-6390	Lead Wire Assembly	(2)
200	14-46-0524	Service Motor Gearcase Kit	(1)
400	23-30-0360	Motor	(1)
403	45-22-0340	Rubber Sleeve	(2)
404	44-66-5925	Motor Mount Plate	(1)
410	43-76-0670	Torque Selector Ring	(1)
707	48-66-0365	Keyless Chuck	(1)
711	-----	Battery Pack	(1)
801	06-81-2925	Chuck Screw-Left Hand Thread	(1)
1100	31-50-1630	Housing Assembly	(1)
1105	22-56-0200	Terminal Block	(1)
1110	10-15-0190	Warning Label	(1)