

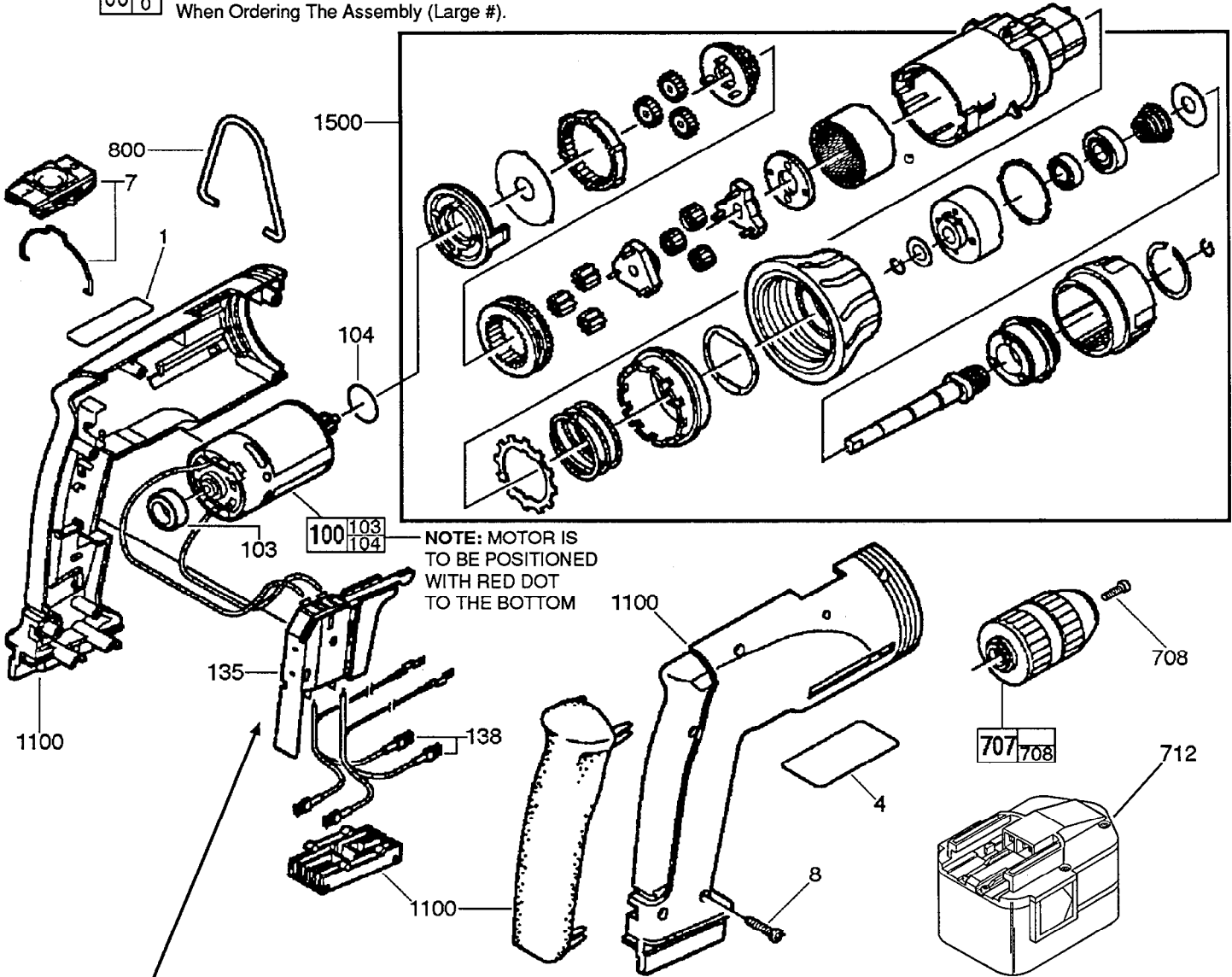


# SERVICE PARTS LIST

BULLETIN NO.  
54-24-2500

SPECIFY CATALOG NO. AND SERIAL NO. WHEN ORDERING PARTS		REVISED BULLETIN	DATE
14.4 VOLT 1/2" POWER PLUS HAMMER-DRILL			Feb. '97
CATALOG NO.	0513-21	SERIAL NUMBER	945A
			WIRING INSTRUCTION <b>SEE REVERSE SIDE</b>

EXAMPLE: 00<sub>0</sub> Component Parts (Small #) Are Included When Ordering The Assembly (Large #).



NOTE: MOTOR IS TO BE POSITIONED WITH RED DOT TO THE BOTTOM

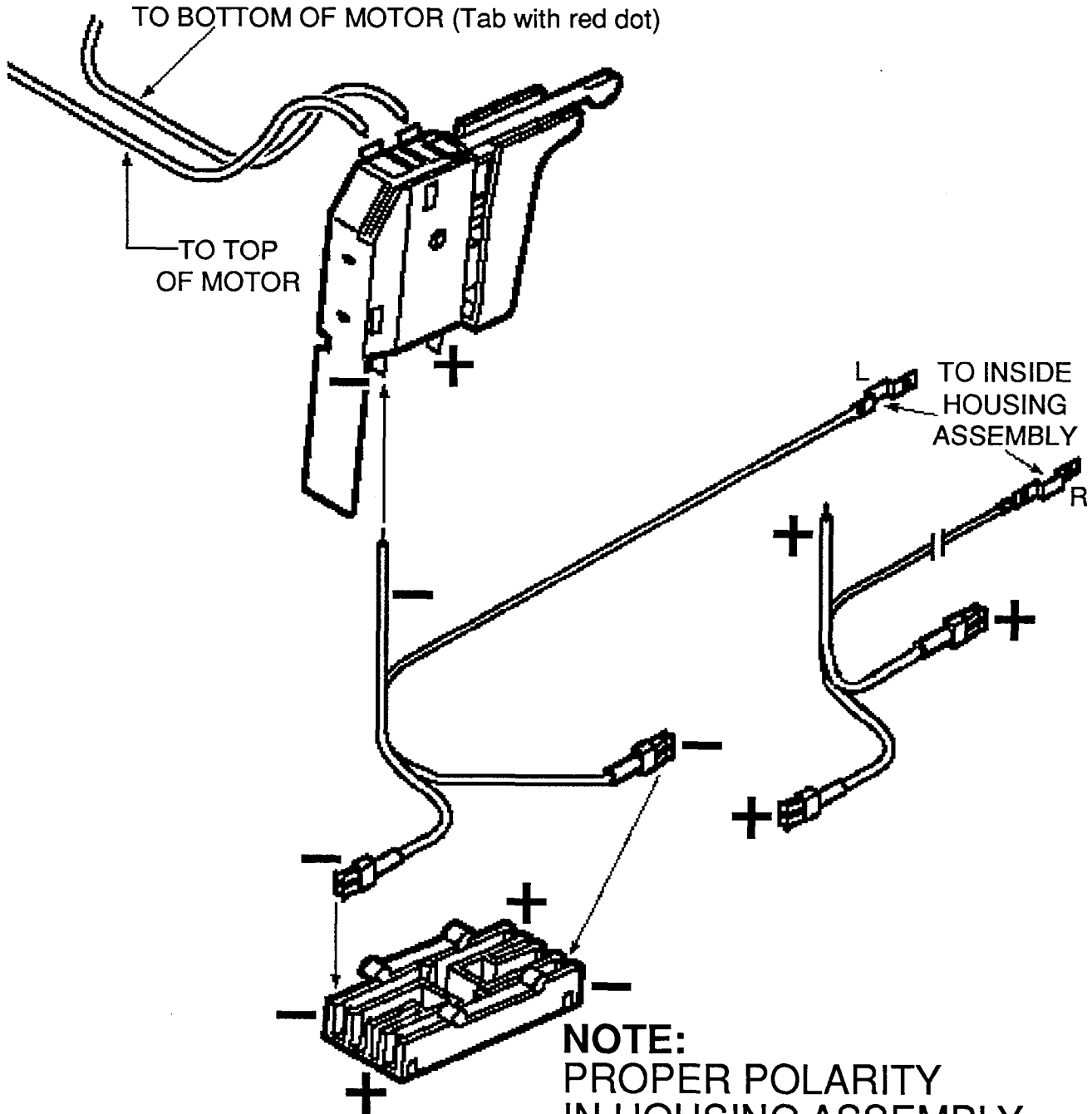
**⚠ WARNING**  
**SWITCH POLARITY SENSITIVE**  
If wired incorrectly with housing assembly, (fig. 1100), switch **will be** damaged and destroyed!  
*See reverse side of bulletin for switch wiring detail.*

FIG.	PART NO.	DESCRIPTION OF PART	NO. REQ.
1	10-15-0440	Warning Label	1
4	12-20-0870	Service Nameplate	1
7	45-24-1195	Slide High/Low	1
8	06-82-7236	Screw	6
100	23-30-0350	Motor	1
103	45-22-0570	Rubber Sleeve	1
104	34-40-2005	O-Ring	1
135	23-66-1265	Switch	1
138	23-94-9005	Lead Wire Assembly	1
707	48-66-0600	Keyless Chuck	1
708	06-75-3155	Chuck Screw-Left Hand Thread	1
712	-----	Battery Pack	1
800	43-74-0225	Bail Hook	1
1100	31-50-0210	Housing Assembly	1
1500	14-29-0100	Gear Box Assembly	1

MILWAUKEE ELECTRIC TOOL CORPORATION  
13135 W. LISBON RD., BROOKFIELD, WI 53005

  
**WARNING**

**SWITCH POLARITY SENSITIVE**  
IF WIRED INCORRECTLY WITH  
HOUSING ASSEMBLY, (FIG. 1100),  
SWITCH **WILL BE DAMAGED AND**  
**DESTROYED.**



**NOTE:**  
PROPER POLARITY  
IN HOUSING ASSEMBLY  
REQUIRES LEADS  
TO BE CROSSED  
AS ILLUSTRATED 