



# SERVICE PARTS LIST

**BUL. 54-06-4030**

**5/16" POWER UNIT**

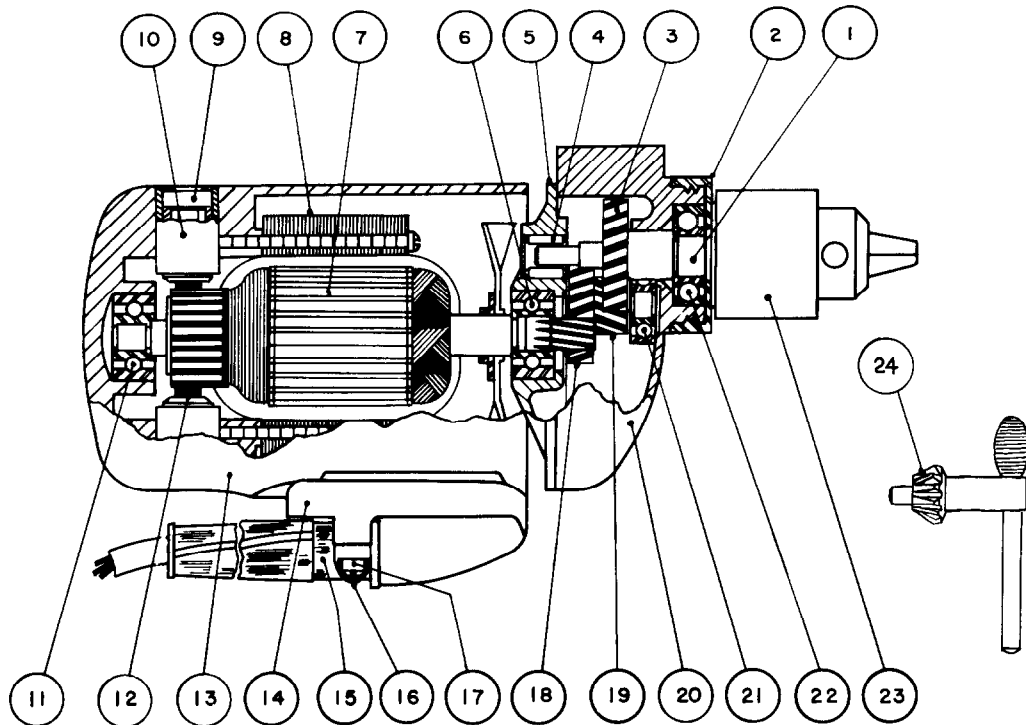
REVISED BUL 6223-1      DATE Feb. '68

**Catalog No. 0500**

Starting Serial No. **222-1001**

WIRING INSTR. **58-01-0110**

**Both Model and Serial No. must be furnished to obtain correct parts.**



**ILLUSTRATED PARTS**

FIG.	PART NO.	DESCRIPTION OF PART	FIG.	PART NO.	DESCRIPTION OF PART
1	38-50-1051	Spindle	13	28-50-4443	Motor Housing
2	42-52-0060	Bearing Cap	14	28-50-1301	Cord Clamp Housing
3	32-75-1361	Spindle Gear	15	22-64-0170	Cord Set
4	02-50-1640	Spindle Needle Bearing	16	28-17-0400	Cord Clamp
5	28-28-0221	Diaphragm	17	06-81-6100	8-32x7/16 Fil.Hd. Cord Clamp Sems (2)
6	02-04-0740	Armature Ball Bearing (Pinion End)	18	32-40-1121	Intermediate Gear
7	16-22-1110	Armature Assembly	19	36-66-1551	Intermediate Pinion Shaft
8	18-22-1030	Field Assembly	20	28-14-0481	Gear Case
9	23-44-0020	Brush Retaining Cap (2)	21	02-04-0640	Int. Shaft Ball Bearing
10	22-22-0050	Brush Holder Assembly (2)	22	02-04-1020	Spindle Ball Bearing
11	02-04-0740	Ball Bearing	23	48-66-0500	Chuck
12	22-18-0090	Carbon Brush Assembly (2)	24	48-66-3240	Chuck Key

**MISCELLANEOUS PARTS NOT SHOWN**

PART NO.	DESCRIPTION OF PART	PART NO.	DESCRIPTION OF PART
44-66-0110	Air Intake Cover Plates (2)	06-81-6300	8-32x7/8 Fil.Hd. Gear Case Sem (2)
06-81-8650	6-32x1/4 Rd.Hd. Cover Plate Screws (4)	06-81-6550	8-32x1-1/2 Fil.Hd. Gear Case Sem (2)
12-98-0800	Name Plate	06-81-6150	8-32x1/2 Fil.Hd. Cord Clamp Housing Sem (2)
06-81-4300	3-48x3/16 Rd.Hd.Name Plate Screws (2)	02-50-1210	Int. Pinion Needle Bearing
06-42-0800	Woodruff Key (Spindle)	06-42-0400	Woodruff Key No. 201
06-83-2670	1/4-20x1/2 Hd'less Slotted Brush Holder SetSc.(2)	06-81-8625	6-32x1/4 Brass Rd.Hd. Ground Sems
06-81-5950	6-32x1-7/8 Fil.Hd. Field Sem (2)	48-66-4040	Chuck Key Holder
42-14-0060	Wire Baffle		