



# SERVICE PARTS LIST

**BULLETIN NO.**  
**54-06-1051**

SPECIFY CATALOG NO. AND SERIAL NO. WHEN ORDERING PARTS		REVISED BULLETIN 54-06-1050	DATE May '96
<b>12 VOLT 3/8" CORDLESS DRILL</b>		WIRING INSTRUCTION <b>58-01-1605</b>	
CATALOG NO. <b>0435-1</b>	STARTING SERIAL NO. <b>848B</b>		

**EXAMPLE:**  

00	0
----	---

 Component Parts (Small #) Are Included  
 When Ordering The Assembly (Large #).

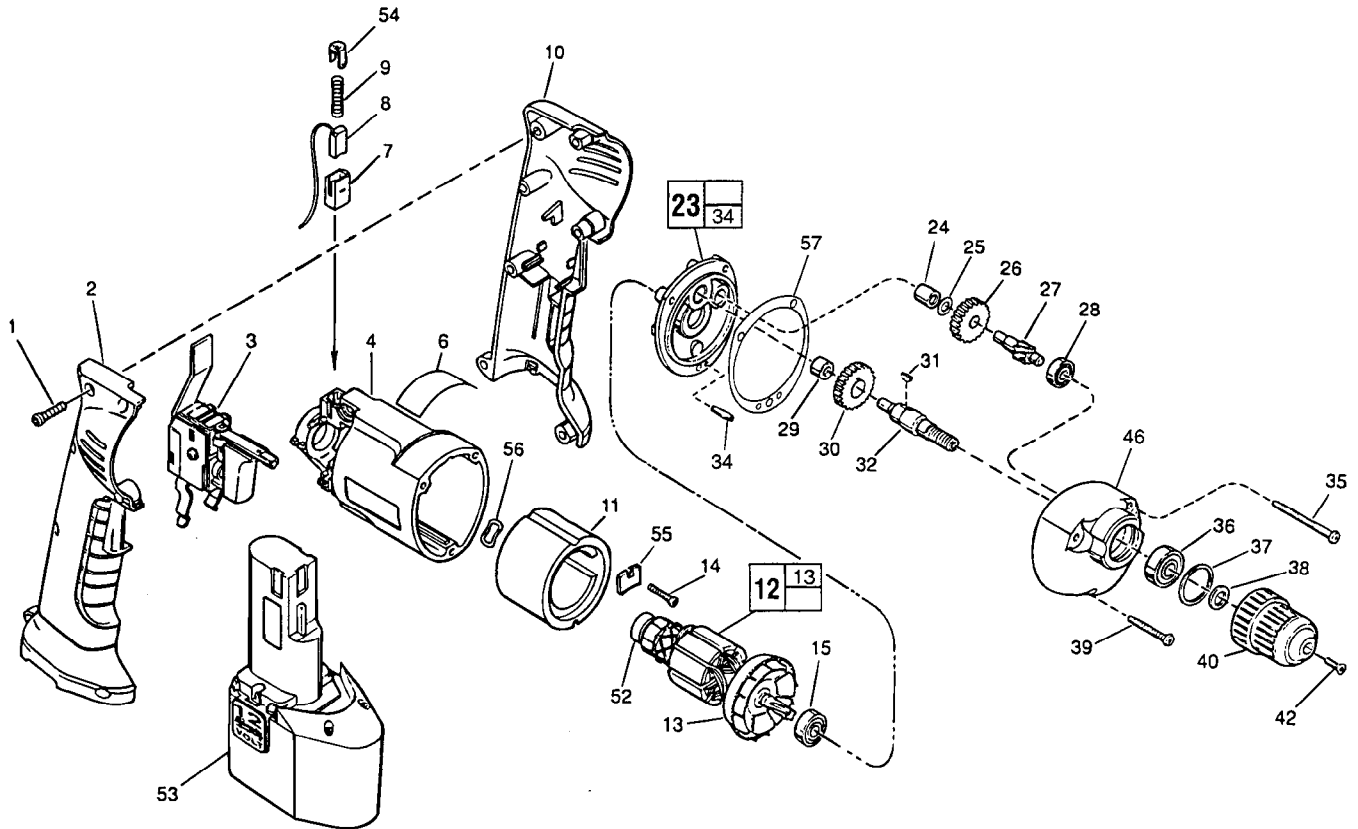


FIG.	PART NO.	DESCRIPTION OF PART	NO. REQ.
1	06-82-9207	6-32 x 11/16" Pan Hd. Slit. Plast. T-20	(7)
2	31-44-1885	Right Handle Half	(1)
3	23-66-2300	Speed Control Switch	(1)
4	31-50-1080	Motor Housing	(1)
6	12-20-1170	Service Nameplate Kit	(1)
7	22-20-0860	Brush Tube	(2)
8	22-18-0840	Brush Assembly - Top	(1)
	22-18-0845	Brush Assembly - Bottom	(1)
9	40-50-8775	Brush Spring	(2)
10	31-44-1880	Left Handle Half	(1)
11	18-01-0010	Field	(1)
12	16-01-0020	Armature	(1)
13	22-84-0760	Fan Assembly	(1)
14	06-82-7261	6-19 x 11/16" Pan Hd. Slit. Plast. T-20	(1)
15	02-04-0847	Ball Bearing	(1)
★ 23	14-13-0530	Diaphragm Assembly	(1)
24	02-50-1210	Needle Bearing	(1)
25	45-88-7301	Heat Treated Washer	(1)
26	32-40-2280	Intermediate Gear	(1)
27	36-66-4615	Intermediate Pinion Shaft	(1)
28	02-04-0640	Ball Bearing	(1)
29	02-50-1620	Needle Bearing	(1)
30	32-75-3450	Spindle Gear	(1)
31	06-42-0800	Woodruff Key	(1)
32	38-50-5660	Reversing Spindle	(1)
★ 34	06-65-0880	Ground Pin	(1)
35	06-82-7368	7-18 x 1-3/4" Pan Hd. Slit. Plast. T-20	(2)
36	02-04-1020	Ball Bearing	(1)
37	34-80-1400	Retaining Ring	(1)
38	45-88-7940	Chuck Washer	(1)
39	06-82-7308	7-18 x 1-1/8" Pan Hd. Slit. Plast. T-20	(1)
40	48-66-0390	3/8" Chuck	(1)
42	45-04-0750	Chuck Screw - L.H. Thread	(1)

FIG.	PART NO.	DESCRIPTION OF PART	NO. REQ.
★ 46	28-14-1825	Gear Case	(1)
52	02-04-5130	Ball Bearing	(1)
53	48-11-0200	12 Volt Battery	(1)
54	22-32-0400	Brush Spring Clip	(2)
55	44-66-6140	Mounting Plate	(1)
56	45-88-5615	Wavy Spring Washer	(1)
★ 57	43-44-0925	Gasket	(1)
	10-15-9485	Warning Label	(1)
	10-15-9490	Logo Label	(1)

**FIG. LUBRICATION**  
 46 1/2 Oz. Type "E" Grease, No. 49-08-4122. Place near intermediate shaft ball bearing in gear case.

**FIG. NOTES**  
 4,7,8 Slot on brush tube must be assembled on the same side as slot on motor housing. Brush assemblies must be inserted with the wire laying inside of brush tube slot. Brush must slide freely inside brush tube.  
 7,54 Brush spring clip must snap into detent of brush tube.  
 11 Press chamfer end first.  
 15 Seal towards armature.  
 24,29 Press flush to casting surface.  
 35,39 Torque to 15-20 In./Lbs.  
 36 Seal towards chuck.

**MILWAUKEE ELECTRIC TOOL CORPORATION**  
 13135 W. LISBON RD., BROOKFIELD, WI 53005