



# SERVICE PARTS LIST

**BULLETIN NO.**  
**54-06-1752**

SPECIFY CATALOG NO. AND SERIAL NO. WHEN ORDERING PARTS		REVISED BULLETIN	DATE
<b>VARIABLE SPEED 3/8" CORDLESS DRIVER/DRILL</b>		54-06-1751	April '95
CATALOG NO. <b>0398-1</b>	STARTING SERIAL NO. <b>778B</b>	WIRING INSTRUCTION	
		<b>58-01-1241</b>	

**EXAMPLE:**  
Component Parts (Small #)  
Are Included When Ordering  
The Assembly (Large #).

00 0

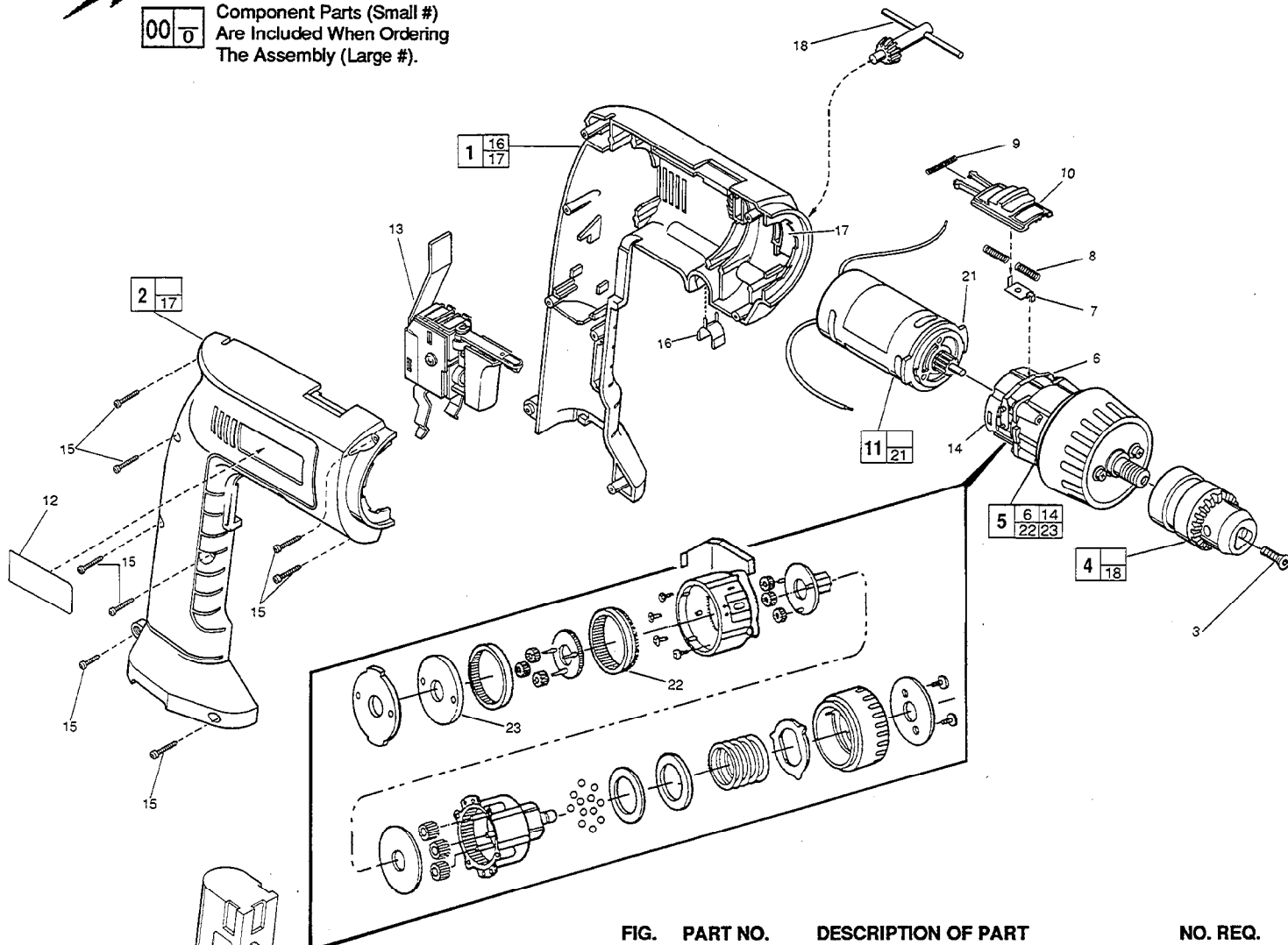


FIG.	PART NO.	DESCRIPTION OF PART	NO. REQ.
★ 1	14-38-0630	Left Housing Assembly	(1)
★ 2	14-38-0625	Right Housing Assembly	(1)
3	05-88-1399	Chuck Retaining Screw T-20	(1)
★ 4	48-66-0415	Chuck	(1)
★ 5	14-30-0723	Gear Box Assembly	(1)
6	44-10-0280	Change Gear Lever	(1)
7	44-14-0160	Link	(1)
8	40-50-8300	Spring	(2)
9	40-50-8310	Spring	(1)
10	45-24-0070	Slide - High/Low	(1)
11	14-50-0620	Motor Assembly	(1)
12	12-20-0360	Service Nameplate Kit	(1)
★ 13	23-66-2300	Variable Speed Switch	(1)
14	31-50-0770	Gear Housing	(1)
15	06-82-7236	4-20 x 5/8" Plastite Pan Hd. Torx T-10	(8)
16	42-70-0260	Clip - Chuck Key	(1)
17	44-52-0440	Foam Pad	(2)
18	48-66-3350	Chuck Key	(1)
20		12.0 V. Battery Pack - Select From Catalog	(1)
21	44-66-0850	Motor Mount Plate	(1)
★ 22	32-65-0050	Shift Lever Ring Gear	(1)
★ 23	45-88-8590	Thrust Washer	(1)

**MILWAUKEE ELECTRIC TOOL CORPORATION**  
13135 W. LISBON RD., BROOKFIELD, WI 53005