



SERVICE PARTS LIST

BUL. 54-06-3502

3/8" PISTOL DRILL

REVISED BUL
54-06-3501

DATE
June '72

Catalog No. 0370

Starting
Serial No. **78-1110**

WIRING INSTR.
58-01-0570

Both Model and Serial No. must be furnished to obtain correct parts.

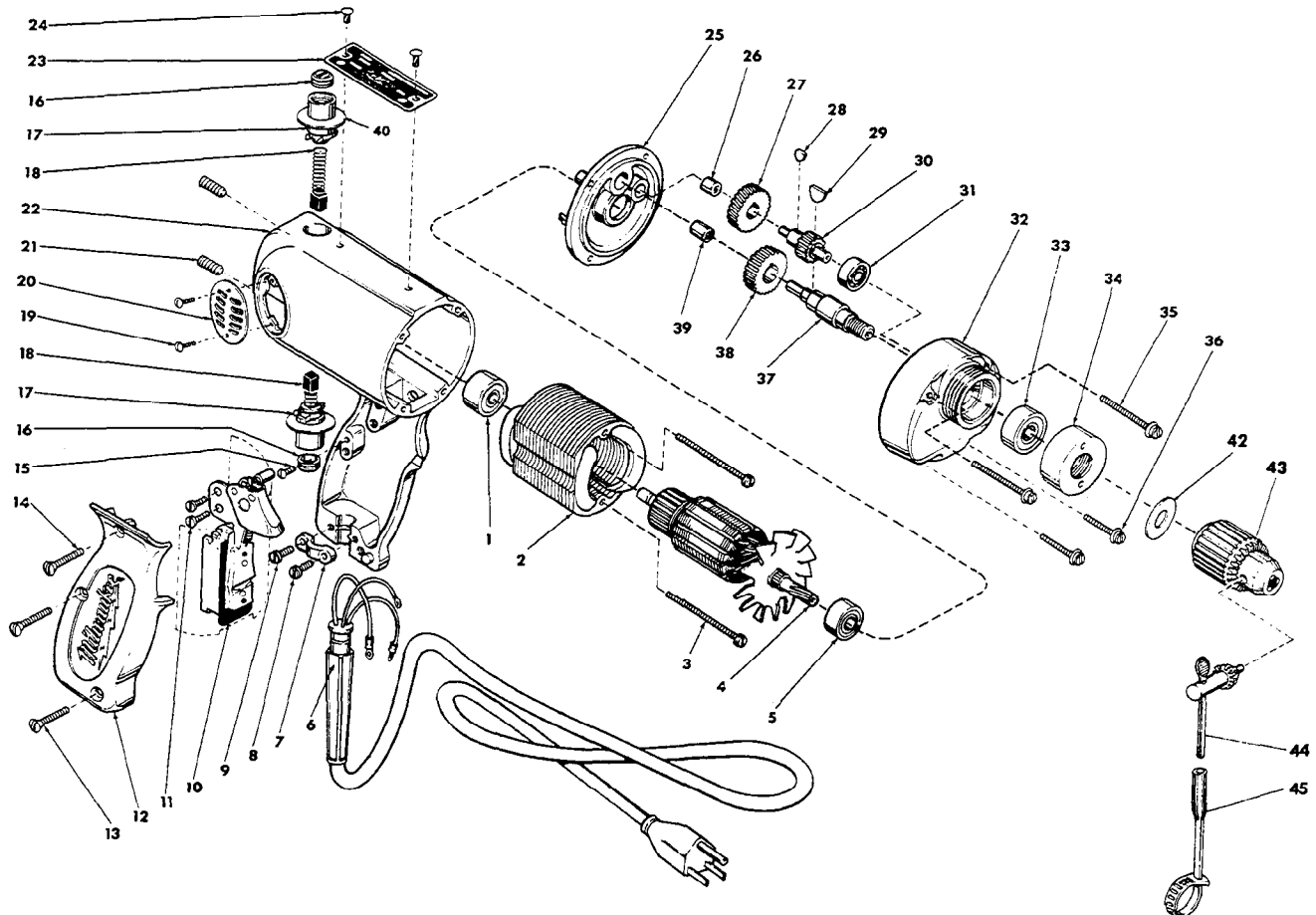


FIG.	PART NO.	DESCRIPTION OF PART	NO.REQ.	FIG.	PART NO.	DESCRIPTION OF PART	NO.REQ.
1	02-04-0740	Ball Bearing		★ 23	12-99-0020	Nameplate	
2	18-22-1030	115 Volt Field		★ 24	06-85-0200	6x1/4 Rd. Hd. T type Z Screw	(2)
3	06-81-5950	6-32x1-7/8 Fil.Hd. Sem	(2)	25	28-28-0221	Diaphragm	
4	16-22-1110	115 Volt Armature		26	02-50-1210	Needle Bearing	
5	02-04-0740	Ball Bearing		27	32-40-1121	Intermediate Gear	
6	22-64-0170	Cord Set		28	06-42-0400	Woodruff Key	
7	28-17-0400	Clamp Strap		29	06-42-0800	Woodruff Key	
8	06-81-6100	8-32x7/16 Fil.Hd. Sem		30	36-66-0851	Intermediate Shaft	
9	06-81-0900	8-32x7/16 Fil.Hd. Screw		31	02-04-0640	Ball Bearing	
★ 10	23-66-0160	Switch		32	28-14-0361	Gear Case	
11	06-81-5400	8-32x5/16 Binder Hd. Sem	(2)	33	02-04-1020	Ball Bearing	
12	28-20-3171	Handle Cover		34	42-52-0060	Bearing Cap	
13	06-81-3650	8-32x3/4 Oval Hd. Screw	(2)	35	06-81-6550	8-32x1-1/2 Fil.Hd. Sem	(2)
14	06-81-3700	8-32x7/8 Oval Hd. Screw		36	06-81-6300	8-32x7/8 Fil.Hd. Sem	(2)
15	06-81-8625	6-32x1/4 Rd.Hd. Bronze		37	38-50-1051	Spindle	
16	23-44-0020	Brush Retaining Screw	(2)	38	32-75-1101	Spindle Gear	
17	22-22-0050	Brush Holder	(2)	39	02-50-1640	Needle Bearing	
18	22-18-0090	Carbon Brush	(2)	40	23-86-0105	Washer	(2)
19	06-81-8650	6-32x1/4 Rd.Hd. Sem	(4)	41	06-97-1800	Switch Lock Washer (not shown)	(4)
20	44-66-0110	Cover Plate	(2)	★ 42	45-88-0080	Chuck Washer	
21	06-83-2670	1/4-20x1/2 Knrl. Set Screw	(2)	43	48-66-0800	Chuck	
22	28-50-4601	Motor Housing (Incl. Fig. 12-13 & 14)		44	48-66-3080	Chuck Key	
				45	48-66-4040	Chuck Key Holder	