



Parts Manual

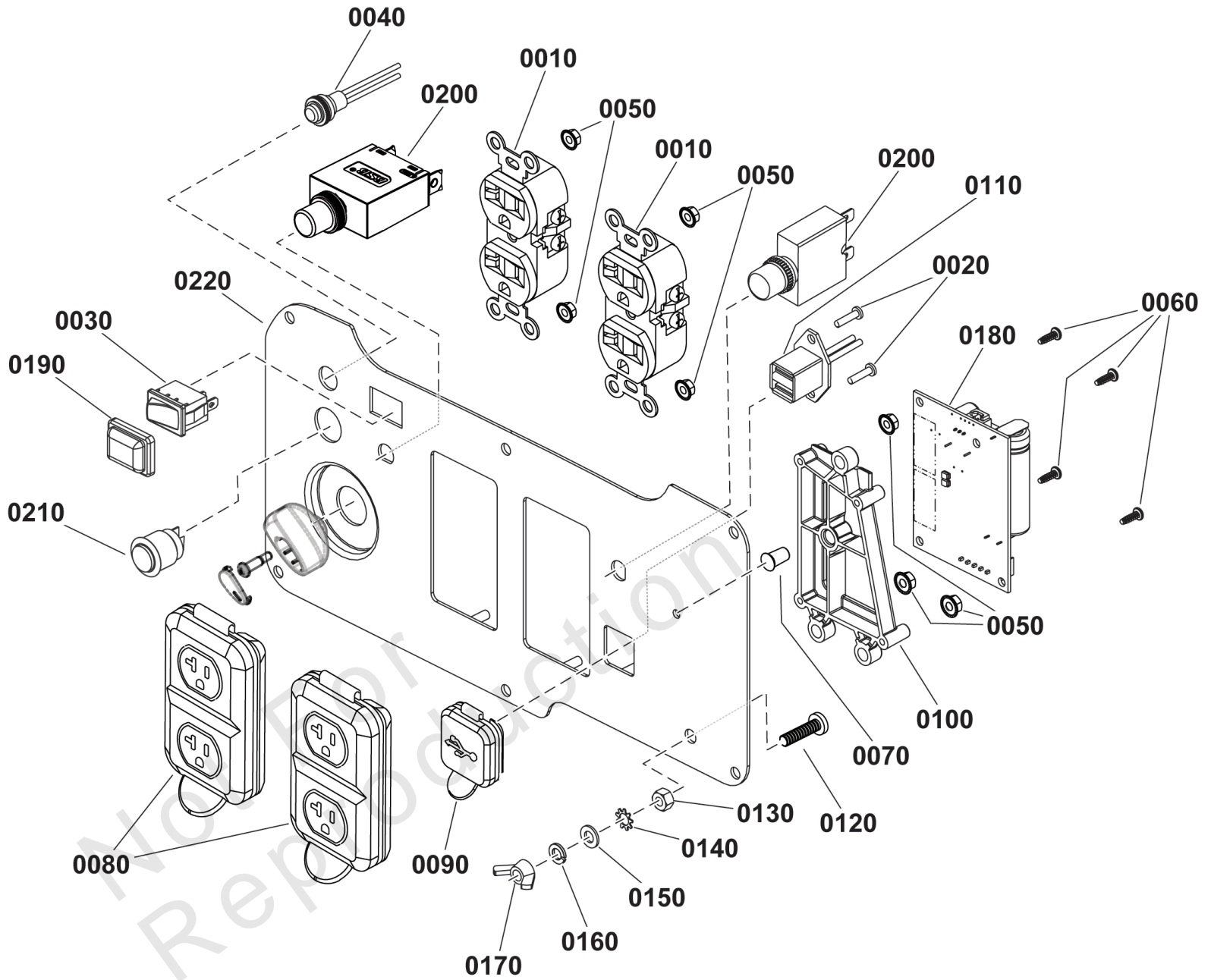
Mfg. No: 030836-00
4,500 Watt Briggs & Stratton Inverter
Generator 50 State



Control Panel

Note: Unless noted otherwise, use the standard torque specifications

Mfg. No: 030836-00



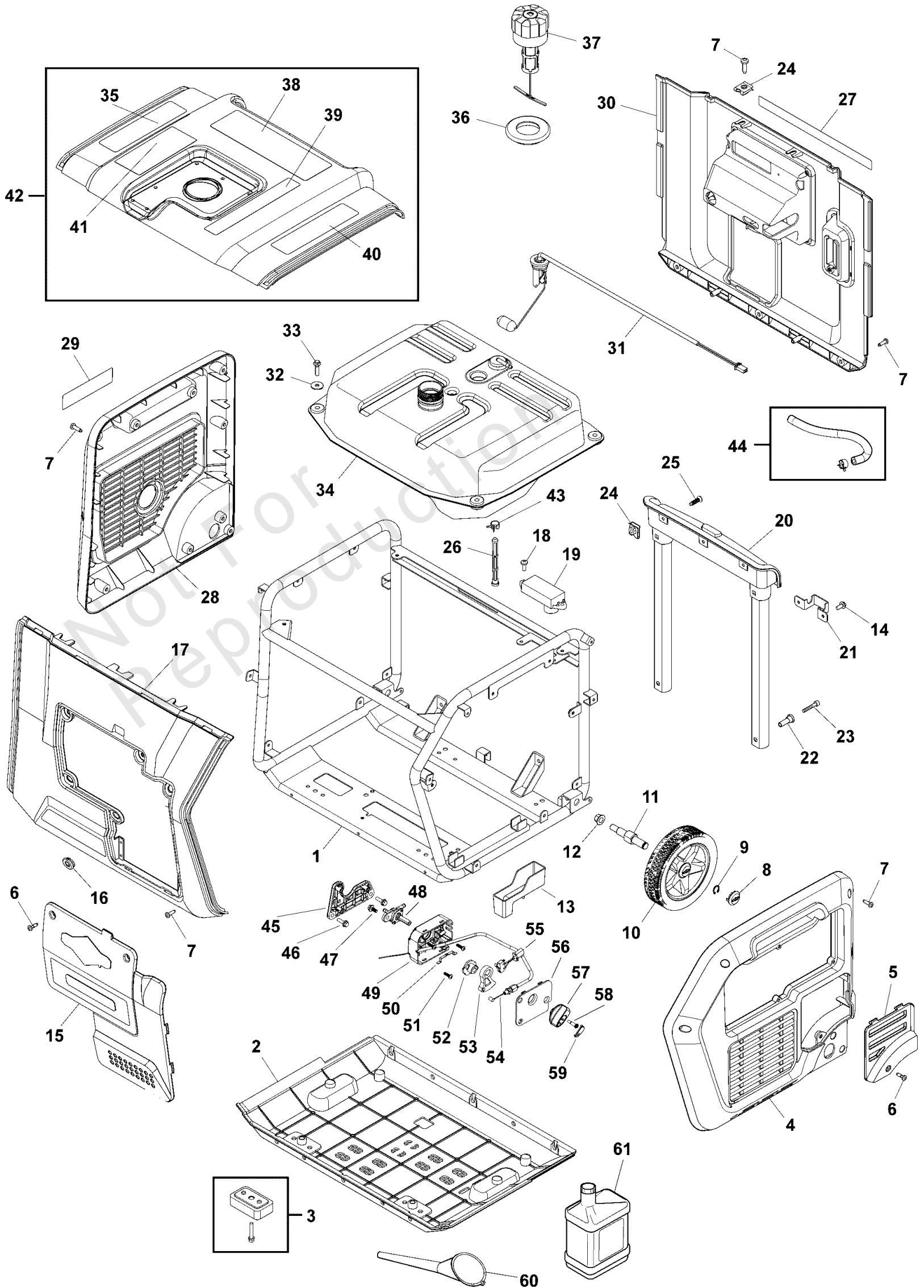
Control Panel

REF NO	PART NO	QTY	DESCRIPTION
0010	68759GS	2	OUTLET, 120V, 20Amp, Duplex
0020	75475GS	2	SCREW
0030	87799GS	1	SWITCH, Rocker On/Off
0040	319463GS	1	BUTTON-SELECT
0050	795016	7	NUT
0060	84001081	4	SCREW
0070	772217	1	LIGHT-PIPE
0080	84002978	2	COVER-OUTLET
0090	84002981	1	COVER-USB
0100	84002980	1	BRACKET-CO
0110	84003013	1	PORT-USB
0120	84003035	1	SCREW
0130	84003038	1	NUT
0140	84003039	1	WASHER-SERRATED
0150	84003037	1	WASHER-FLAT
0160	84003036	1	WASHER-LOCK
0170	84002979	1	WING NUT
0180	84004007	1	MODULE-CO
0190	84005434	1	COVER-RUBBER
0200	84005455	2	BREAKER-CIRCUIT, 20A
0210	84006633	1	SWITCH, PUSH BUTTON
0220	84007141	1	PANEL, Control -(Contains Panel and Decal)
0230	84007117		DECAL, Control Panel -(Not Illustrated)

Main Unit P1

Note: Unless noted otherwise, use the standard torque specifications

Mfg. No: 030836-00



Main Unit P1

REF NO	PART NO	QTY	DESCRIPTION
1	84005416	1	CRADLE
2	84002938	1	PANEL-BOTTOM
3	84002939	2	FOOT-RUBBER
4	84002911	1	PANEL-SIDE
5	84002974	1	PANEL-BATTERY
6	84002976	3	SCREW
7	84002910	6	SCREW
8	706065	2	HUBCAP
9	771593	2	E-RING
10	319940GS	2	WHEEL
11	84002909	2	AXLE
12	709938	2	NUT-M10 FLANGE LOCK
13	84002954	1	TRAP-DRAIN
14	706865	4	SCREW, M6 x 18
15	84002912	1	PANEL-ACCESS
16	84002917	5	GROMMET
17	84002916	1	PANEL-BACK
18	91526GS	2	MACHINE SCREW, Phillips Pn Hd
19	84002951	1	CONTROLLER-IGNITION
20	84002960	1	ASSY-HANDLE
21	84002968	2	BRACKET
22	84002969	2	BUSHING
23	191364GS	2	SCREW
24	84002982	2	NUT-SPECIAL
25	84002961	3	SCREW
26	707168	1	FILTER-FUEL TANK
27	84007119	1	DECAL
28	84002920		PANEL-MUFFLER -(Includes Item 29)
29	84002468	1	DECAL
30	84007118	1	PANEL-FRONT -(Includes Item 27)
31	84002946	1	GAUGE-FUEL
32	316506GS	4	WASHER-FLAT
33	706866	4	SCREW
34	84002947	1	TANK-FUEL -(Includes Item 26 & 34)
35	84005448	1	DECAL
36	84002943	1	GROMMET-FUEL
37	84006625	1	CAP-FUEL
38	84001051	1	DECAL
39	84006632	1	DECAL
40	84006631	1	DECAL
41	84001068	1	DECAL
42	84006610	1	PANEL-TOP, FUEL TRAY Assembly
43	84002949	2	CLAMP
44	84005452	1	HOSE-VAPOR
45	84006612	1	PLATE, Mounting, Fuel Switch
46	84006614	2	BOLT, Hex Flangebolt, M6 x 16
47	84006613	1	BOLT, Hex Flangebolt, M5 x 12
48	84002959	1	VALVE-FUEL
49	84004882	1	BODY, Fuel Selector

Main Unit P1

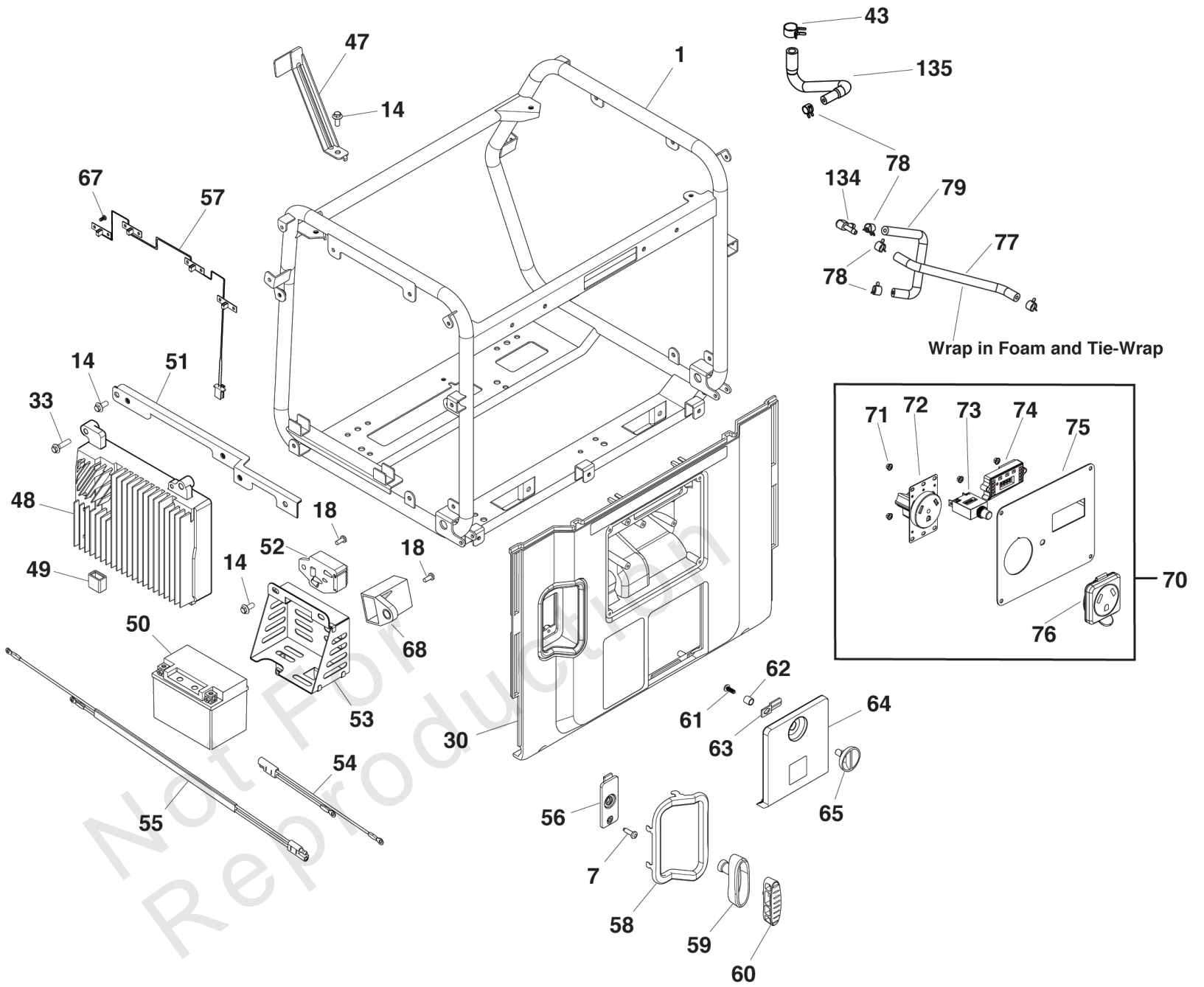
REF NO	PART NO	QTY	DESCRIPTION
50	84004881	1	SPRING
51	84006615	1	SCREW, Self Tapping
52	84004880	1	WHEEL-FUEL SELECTOR
53	84004883	1	ROCKER ARM-FUEL SELECTOR
54	84006624	1	ASSEMBLY, Choke Cable
55	84004879	1	SWITCH
56	84004878	1	COVER
57	84002925	1	KNOB-FUEL VALVE
58	84002926	1	SCREW
59	311377GS	1	COVER, Knob
60	706357	1	FUNNEL
61	100005	1	OIL-4 CYCLE 30W 18OZ.

Not For Reproduction

Main Unit P2

Note: Unless noted otherwise, use the standard torque specifications

Mfg. No: 030836-00



Main Unit P2

REF NO	PART NO	QTY	DESCRIPTION
1	84005416	1	CRADLE
7	84002910	1	SCREW
14	706865	1	SCREW, M6 x 18
18	91526GS	4	MACHINE SCREW, Phillips Pn Hd
30	84007118	1	PANEL-FRONT
33	706866	6	SCREW
43	84002949	1	CLAMP
47	84002953	1	BRACKET-SUPPORT
48	84002918	1	CONTROLLER
49	84002919	2	FOOT-RUBBER
50	-----		BATTERY -Battery Size: LT4-3, Lead Acid Battery 12V 3AH.
51	84006621	1	BRACKET-CONTROLLER
52	84005421	1	RECTIFIER
53	84002936	1	BRACKET-BATTERY
54	84002934	1	HARNESS-BATTERY
55	84002935	1	HARNESS-BATTERY
56	84002973	1	PANEL-RECOIL
57	84002921	1	ASSY-LED
58	84002972	1	COVER-ROPE
59	84002971	1	GRIP-RECOIL
60	311414GS	1	INSERT, Grip
61	84002962	2	SCREW
62	84002927	1	SLEEVE
63	84002928	1	LATCH-HOOK
64	84002929		COVER-OIL
65	84002930	1	KNOB
67	197958GS	3	SCREW, Tapping, 3 x 6
68	84005262	1	RECTIFIER
70	84007116	1	ASSY-PANEL Display
71	795016	4	NUT
72	318065GS	1	OUTLET-RV
73	84005457	1	BREAKER-CIRCUIT, 30A
74	84006670	1	GAUGE, Display
75	84006669	1	PANEL, Display
76	84002977	1	COVER-OUTLET
77	84006618	1	HOSE-FUEL
78	48031GGS	9	Clamp, Hose band
79	84005425	1	HOSE-FUEL
134	84003045	1	CONNECTOR
135	84006623		HOSE-Fuel

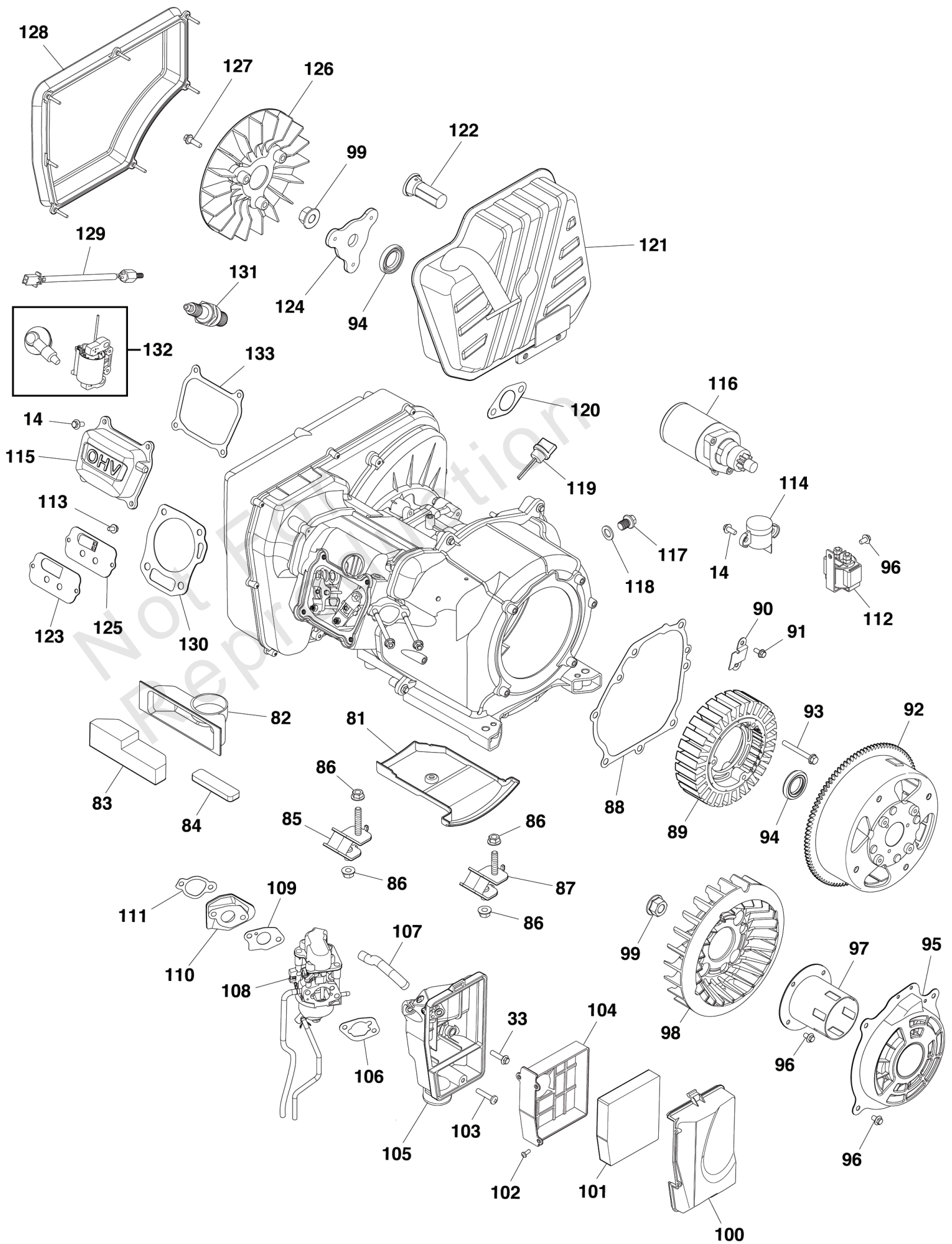
Footnotes:

Battery Not Supplied By Briggs & Stratton. Please Get Battery from Local Hardware or Auto Supply Store.

Main Unit P3 Engine

Note: Unless noted otherwise, use the standard torque specifications

Mfg. No: 030836-00



Main Unit P3 Engine

REF NO	PART NO	QTY	DESCRIPTION
14	706865	4	SCREW, M6 x 18
33	706866	2	SCREW
81	84002487	1	COVER-SEAL BASE
82	84002914	1	BASE-AIR CLEANER
83	84001981	1	AIR FILTER
84	84002915	1	SPONGE-RETENTION
85	84002932	2	MOUNT-VIBRATION
86	67989GS	4	NUT, M8 Flange Serrated
87	84002931	2	MOUNT-VIBRATION
88	84002476	1	GASKET
89	84002477	1	STATOR
90	84002924	1	PLATE-PROTECTOR
91	207824GS	2	BOLT, M5 - 6 x 12
92	84002478	1	ROTOR
93	84002506	4	BOLT
94	84002505	1	SEAL
95	84002488	1	RECOIL
96	771769	4	SCREW
97	84002495	1	CUP-RECOIL
98	84002479	1	FAN-COOLING
99	84002502	2	NUT
100	84002510	1	COVER-AIR CLEANER
101	84001978	1	ELEMENT
102	75475GS	3	SCREW
103	21496GS	1	PPHMS, M6-1.0 X 30, ZP
104	84002511	1	FRAME-ELEMENT
105	84002509	1	BASE-AIR CLEANER
106	84002486	1	GASKET
107	84002493	1	HOSE-BREATHER
108	84006619	1	CARBURETOR
109	84002485	1	GASKET
110	84002480	1	INSULATOR
111	84002481	1	GASKET
112	84002499	1	RELAY
113	84002508	2	BOLT
114	84002492	1	SENSOR-LOW OIL
115	84002498	1	COVER-CYLINDER HEAD
116	84002489	1	STARTER MOTOR
117	84002504	1	BOLT-OIL DRAIN
118	84002503	1	WASHER
119	84002491	1	DIPSTICK-OIL
120	84002484	1	GASKET-EXHAUST
121	84002517	1	MUFFLER -(Includes Item 122)
122	703189	1	ARRESTOR-SPARK
123	84002515	1	GASKET
124	84002482	1	BRACKET
125	84002516	1	PLATE-VALVE
126	84002483	1	FAN-COOLING
127	84002514	3	BOLT
128	84002501	1	HOUSING

Main Unit P3 Engine

REF NO	PART NO	QTY	DESCRIPTION
129	84002513	1	SENSOR-TEMPERATURE
130	84002507	1	GASKET-CYLINDER HEAD
131	84001980	1	SPARKPLUG
132	84002490	1	ASSY, COIL IGNITION
133	84002496	1	GASKET

Not For Reproduction

