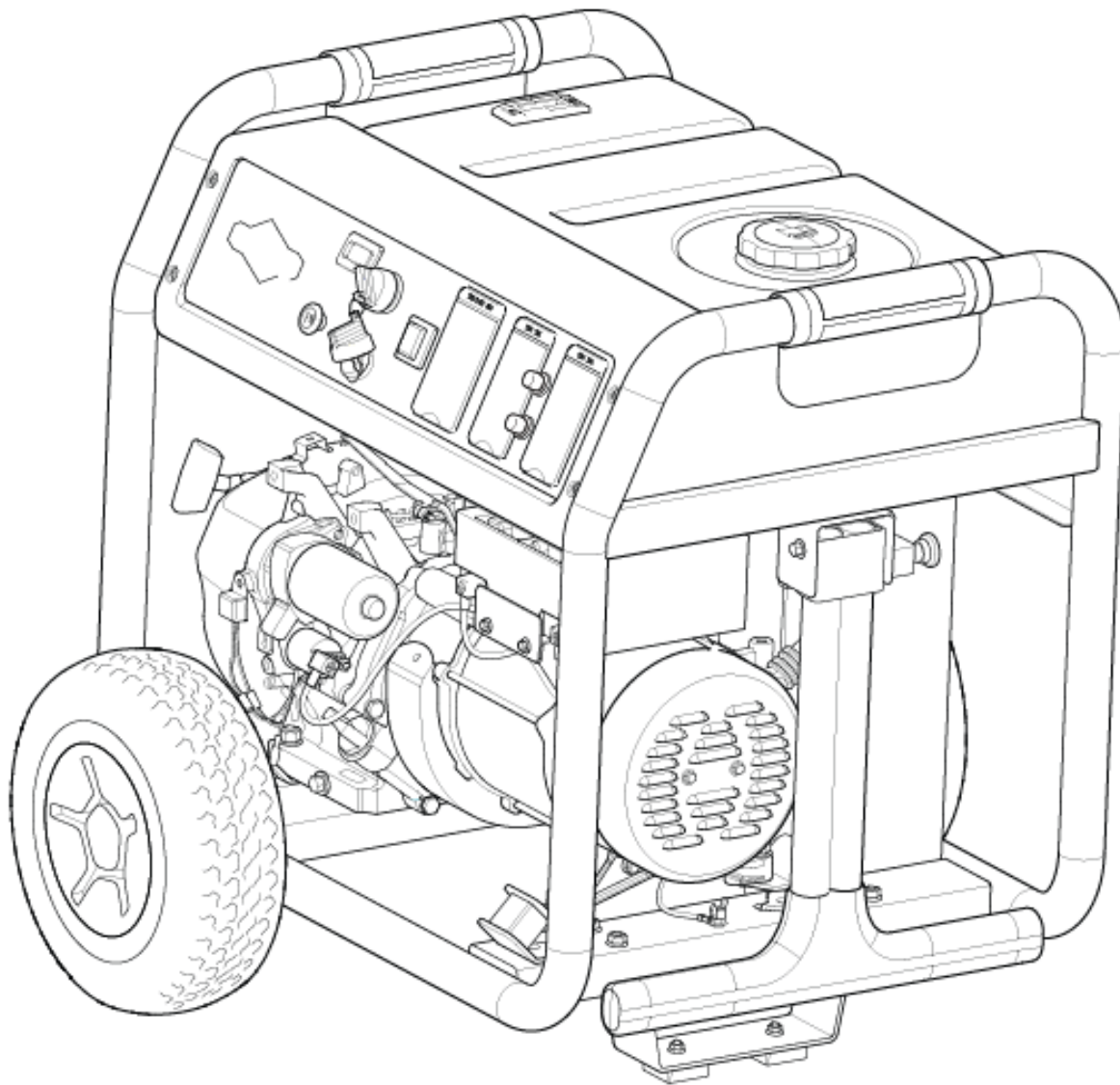




Parts Manual

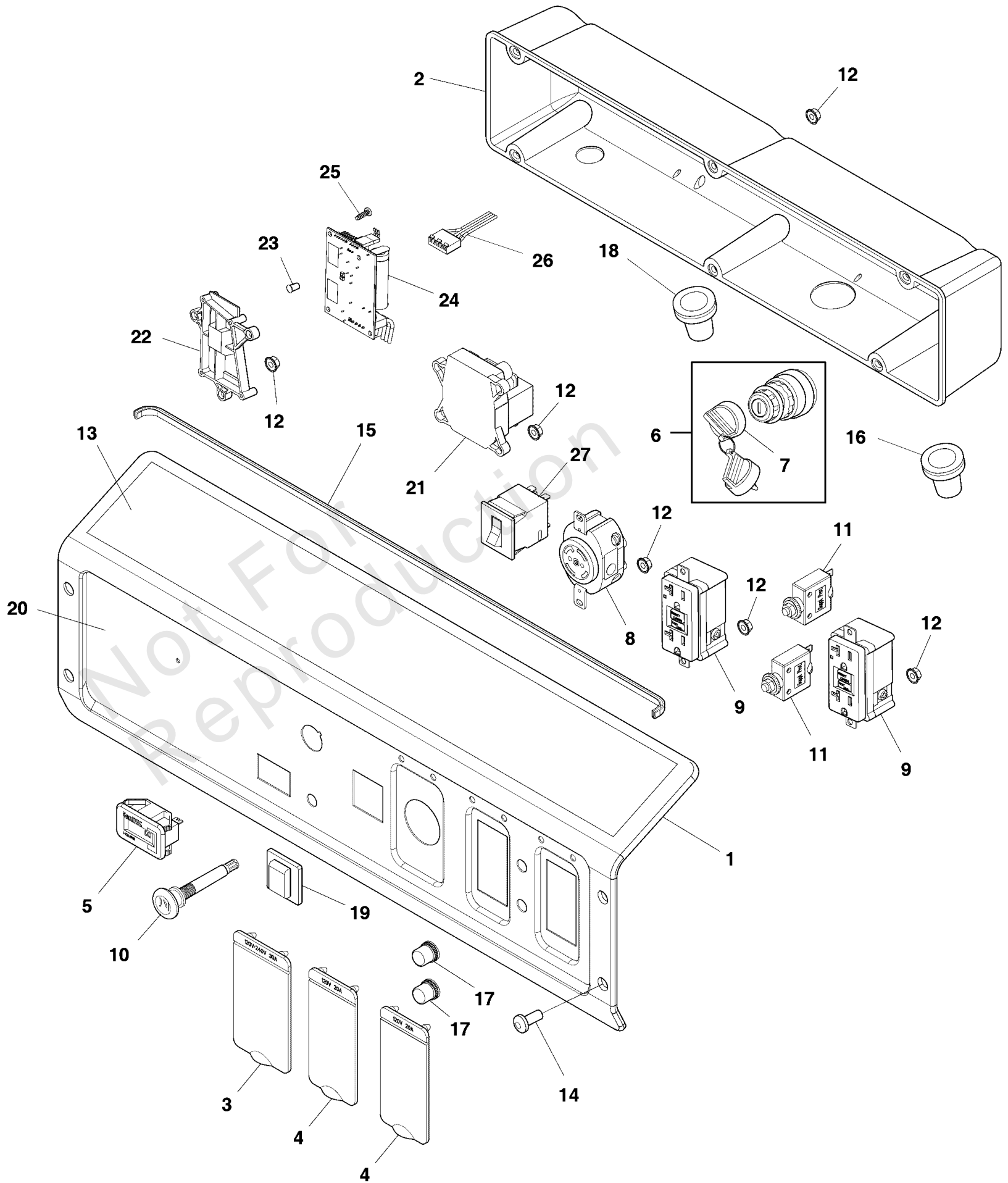
Mfg. No: 030740-01
7,000 Watt Briggs & Stratton Elite



Control Panel

Note: Unless noted otherwise, use the standard torque specifications

Mfg. No: 030740-01



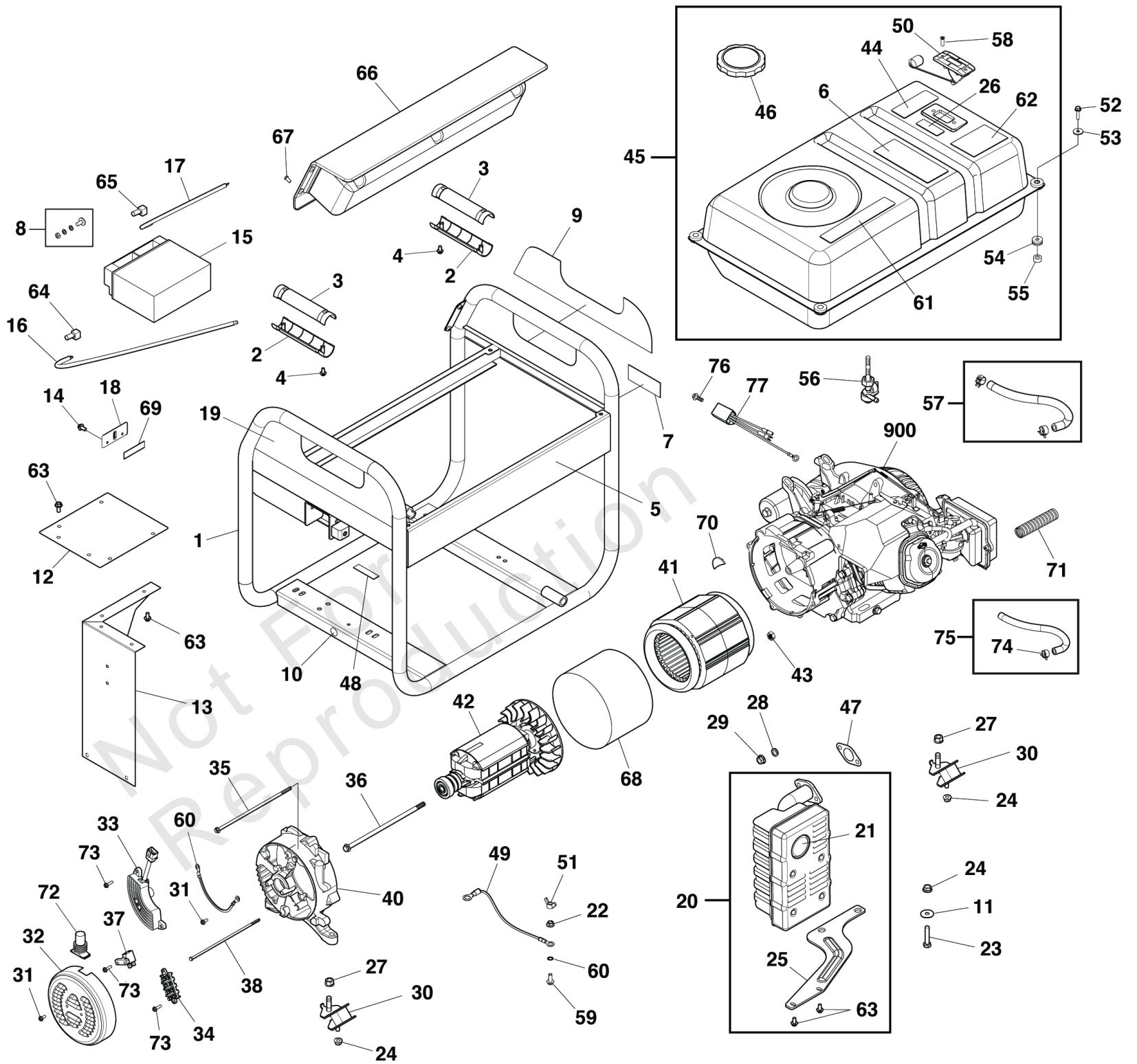
Control Panel

| REF NO | PART NO | QTY | DESCRIPTION |
|--------|----------|-----|-------------------------------|
| 1 | 84002420 | 1 | PANEL-CONTROL |
| 2 | 84002428 | 1 | BOX- CONTROL PANEL |
| 3 | 319477GS | 1 | COVER-OUTLET |
| 4 | 319476GS | 2 | COVER-OUTLET |
| 5 | 198245GS | 1 | METER, Hour Digital |
| 6 | 318307GS | 1 | KEY-SWITCH IGNITION |
| 7 | 705436 | 1 | KEY |
| 8 | 43437GS | 1 | OUTLET, 120/240V Locking, 30A |
| 9 | 709526 | 2 | OUTLET-GFCI |
| 10 | 84002429 | 1 | CABLE-CHOKE |
| 11 | 209872GS | 2 | BREAKER, Circuit, 20A |
| 12 | 795016 | 12 | NUT |
| 13 | 84002418 | 1 | DECAL |
| 14 | 703804 | 4 | SCREW |
| 15 | 319459GS | 1 | TRIM-EDGE |
| 16 | 319529GS | 1 | GROMMET |
| 17 | 312636GS | 2 | BOOT, Circuit Breaker |
| 18 | 319530GS | 1 | GROMMET |
| 19 | 191481GS | 1 | BOOT, Breaker Circuit |
| 20 | 84002410 | | DECAL |
| 21 | 84002089 | 1 | MODULE-BATTERY CHARGE |
| 22 | 772213 | 1 | BRACKET-MODULE |
| 23 | 772217 | 1 | LIGHT-PIPE |
| 24 | 772211 | 1 | MODULE-CO |
| 25 | 84001081 | 4 | SCREW |
| 26 | 772215 | 1 | WIRE-HARNESS-CO |
| 27 | 202033GS | 1 | Breaker, Circuit, 30A, 2P |

Main Unit

Note: Unless noted otherwise, use the standard torque specifications

Mfg. No: 030740-01



Main Unit

| REF NO | PART NO | QTY | DESCRIPTION |
|--------|----------|-----|---|
| 1 | 84002414 | 1 | CRADLE -(Includes Ref. Nos. 5, 7 & 10) |
| 2 | 312009GS | 2 | GRIP, Handle |
| 3 | 312008GS | 2 | GRIP, Handle |
| 4 | 75477GS | 4 | PPHMS, M5 - 0.8 x 20 |
| 5 | 772231 | 1 | DECAL |
| 6 | 772234 | 1 | DECAL |
| 7 | 772236 | 1 | DECAL |
| 8 | 315546GS | 1 | KIT, Hardware, Battery Terminal |
| 9 | 84002411 | 1 | DECAL |
| 10 | 704331 | 1 | DECAL |
| 11 | B2495GS | 1 | WSHR, 25.4 X 8.45 X 1.4 |
| 12 | 312020GS | 1 | HEATSHIELD |
| 13 | 312019GS | 1 | HEATSHIELD |
| 14 | 209775GS | 2 | BOLT |
| 15 | 316345GS | 1 | BATTERY |
| 16 | 312014GS | 1 | CABLE-BATTERY, RED |
| 17 | 312026GS | 1 | CABLE-BATTERY, BLACK |
| 18 | 311983GS | 1 | PLATE-BATTERY |
| 19 | 84002412 | 1 | DECAL |
| 20 | 84003865 | 1 | KIT-MUFFLER |
| 21 | 83083GS | 1 | SCREEN, Spark Arrest |
| 22 | 52857GS | 1 | NUT-M6 FLANGE |
| 23 | 57821GS | 1 | CAPSCREW, Hex Head, M8-1.25 x 40 |
| 24 | 67989GS | 5 | NUT, M8 Flange Serrated |
| 25 | 84003866 | 1 | BRACKET-MUFFLER |
| 26 | 703264 | 1 | DECAL |
| 27 | 52859GS | 4 | NUT, Lock |
| 28 | 22237GS | 2 | WASHER, Locking, 3/8 |
| 29 | 45771GS | 2 | NUT, M8 - 1.25 |
| 30 | 319451GS | 4 | MOUNT-VIBRATION |
| 31 | 700308 | 2 | SCREW |
| 32 | 312870GS | 1 | COVER, Rear Bearing |
| 33 | 312871GS | 1 | REGULATOR-VOLTAGE |
| 34 | 312921GS | 1 | BLOCK, Junction |
| 35 | 312915GS | 2 | BOLT |
| 36 | 312912GS | 1 | SCREW |
| 37 | 312904GS | 1 | BRUSH ASSEMBLY |
| 38 | 312919GS | 2 | BOLT |
| 39 | 706150 | 1 | WIRE |
| 40 | 312866GS | 1 | SUPPORT, Bearing |
| 41 | 707494 | 1 | STATOR |
| 42 | 707493 | 1 | ROTOR |
| 43 | 312916GS | 4 | NUT |
| 44 | 772233 | 1 | DECAL |
| 45 | 84002415 | 1 | TANK-FUEL |
| 46 | 319587GS | 1 | CAP-FUEL |
| 47 | 813085GS | 1 | GASKET |
| 48 | 706535 | 1 | PAD-RUBBER |

Footnotes:

(Note:* Verify your specific engine model, reference the ID Tag located on your engine.) (Refer to your local Briggs & Stratton distributor for parts and service.)

Main Unit

| REF NO | PART NO | QTY | DESCRIPTION |
|--------|----------------|-----|-----------------------------------|
| 49 | 706165 | 1 | WIRE |
| 50 | 704183 | 1 | GAUGE-FUEL |
| 51 | 87680GS | 1 | NUT, M6 - 1.0 Wing |
| 52 | 703805 | 4 | SCREW |
| 53 | 312005GS | 4 | WASHER |
| 54 | 189134GS | 4 | GROMMET, Rubber |
| 55 | 189137GS | 4 | SPACER |
| 56 | 209417GS | 1 | VALVE, Fuel |
| 57 | 791745 | 1 | LINE, Fuel |
| 58 | 314440GS | 2 | SCREW |
| 59 | 706166 | 1 | SCREW |
| 60 | 26850GS | 1 | WASHER, Ext. M6 - 1/4" Shakeproof |
| 61 | 772237 | 1 | DECAL |
| 62 | 202997GS | 1 | DECAL, Warning, CO |
| 63 | 706152 | 1 | SCREW, M6 x 12 |
| 64 | 319405GS | 1 | CAP-WIRE, RED |
| 65 | 319821GS | 1 | CAP-WIRE, BLACK |
| 66 | REF-80079514 | 1 | Refer To Control Panel Group |
| 67 | 703804 | 4 | SCREW |
| 68 | 312918GS | 1 | BAND-STATOR |
| 69 | 706377 | 1 | PAD-RUBBER |
| 70 | 706376 | 1 | COVER-RUBBER |
| 71 | 706534 | 1 | BELLOWS |
| 72 | 207879GS | 1 | BOOT, Rubber |
| 73 | 84002093 | 4 | SCREW |
| 74 | 314955GS | 2 | CLAMP |
| 75 | 315017GS | 1 | HOSE, Vapor (cut to fit) |
| 76 | 84003179 | 1 | SCREW |
| 77 | 84003180 | 1 | MODULE-SNUBBER |
| 900 | 25T235-0348-G1 | 1 | ENGINE |

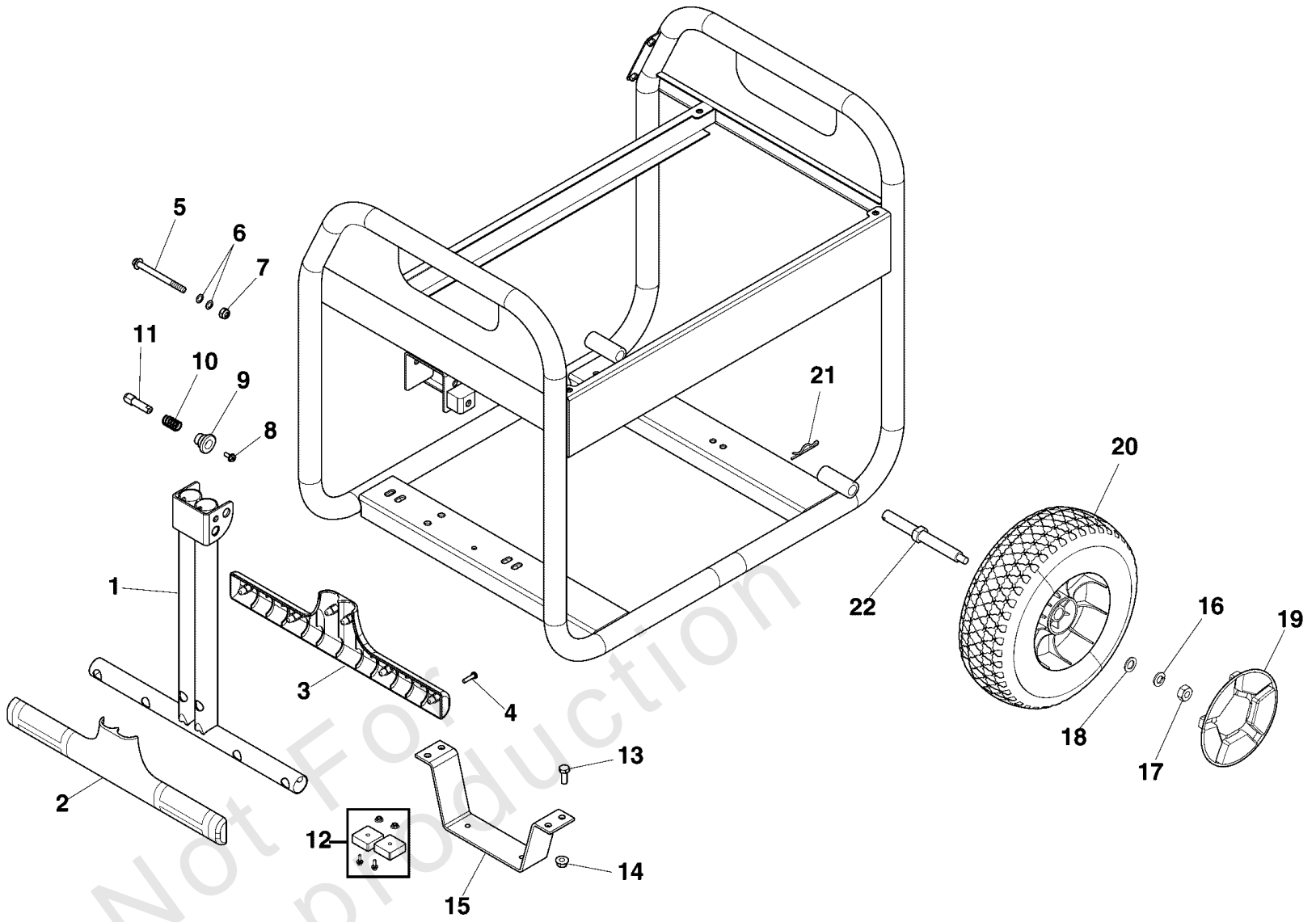
Footnotes:

(Note:* Verify your specific engine model, reference the ID Tag located on your engine.) (Refer to your local Briggs & Stratton distributor for parts and service.)

Wheel Kit

Note: Unless noted otherwise, use the standard torque specifications

Mfg. No: 030740-01



Wheel Kit

| REF NO | PART NO | QTY | DESCRIPTION |
|--------|----------|-----|---|
| 1 | 319396GS | 1 | HANDLE |
| 2 | 311998GS | 1 | GRIP-HANDLE |
| 3 | 312000GS | 1 | GRIP-HANDLE |
| 4 | 75477GS | 4 | PPHMS, M5 - 0.8 x 20 |
| 5 | 318677GS | 1 | BOLT |
| 6 | 96716 | 2 | Nylon Step Washer |
| 7 | 49820GS | 1 | NUT, Nylok, M8 - 1.25 |
| 8 | 207825GS | 1 | BOLT-M5-6 x 16 |
| 9 | 319453GS | 1 | KNOB |
| 10 | 319452GS | 1 | SPRING |
| 11 | 319454GS | 1 | PIN |
| 12 | 319285GS | 1 | MOUNT-VIBRATION |
| 13 | 67989 | 4 | NUT, M8 Flange Locking Hex M8 - 1.25 Serrated |
| 14 | 84001684 | 4 | BOLT |
| 15 | 707688 | 1 | SUPPORT-LEG |
| 16 | 46526GS | 2 | WSHR, M10, LOCK |
| 17 | 45772GS | 2 | NUT, M10-1.5 |
| 18 | 94856GS | 2 | WASHER-M10 FLAT |
| 19 | 312022GS | 2 | HUBCAP |
| 20 | 312021GS | 2 | WHEEL |
| 21 | 316510GS | 2 | PIN-HAIR |
| 22 | 312023GS | 2 | AXLE |

