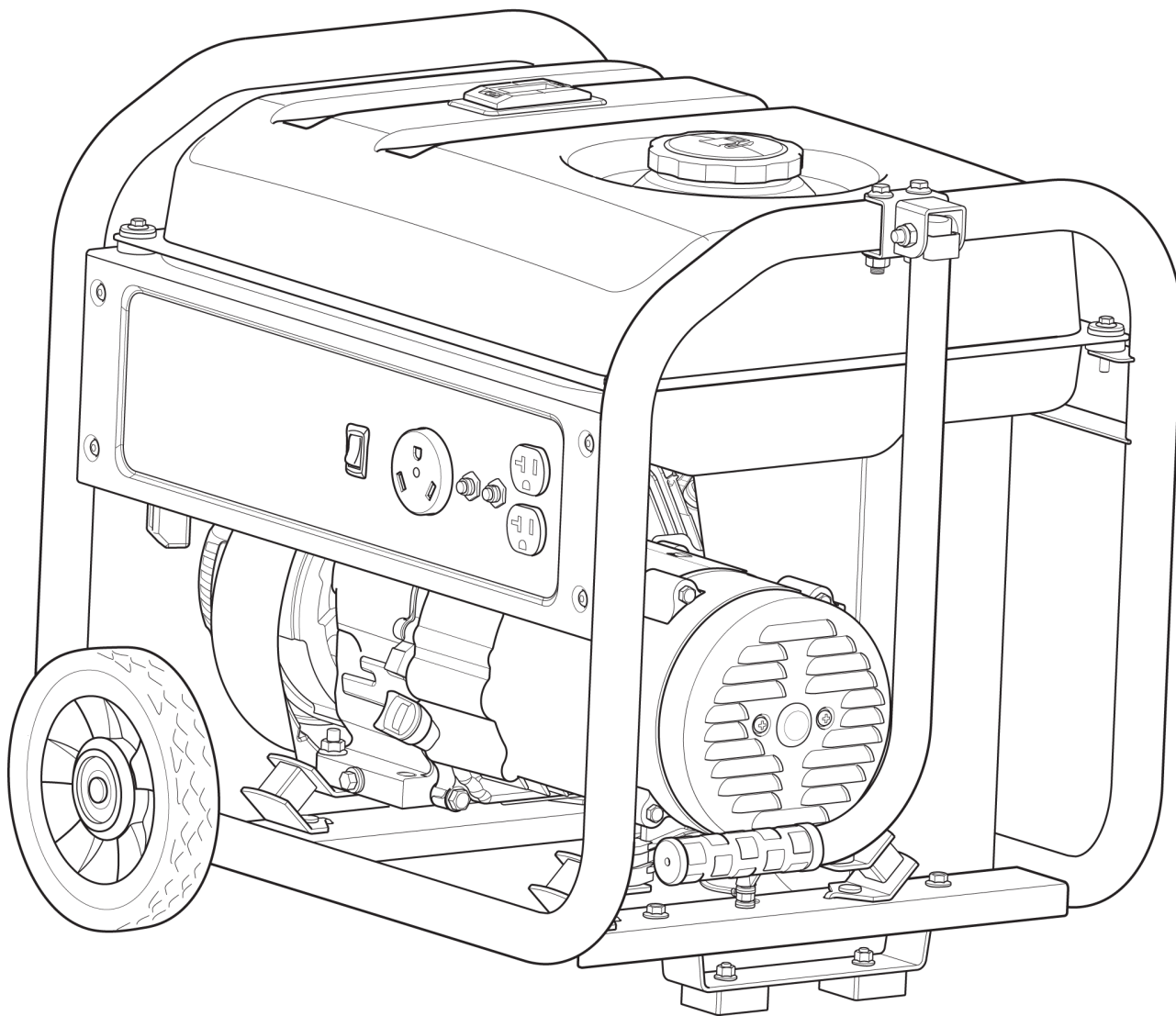




# Parts Manual

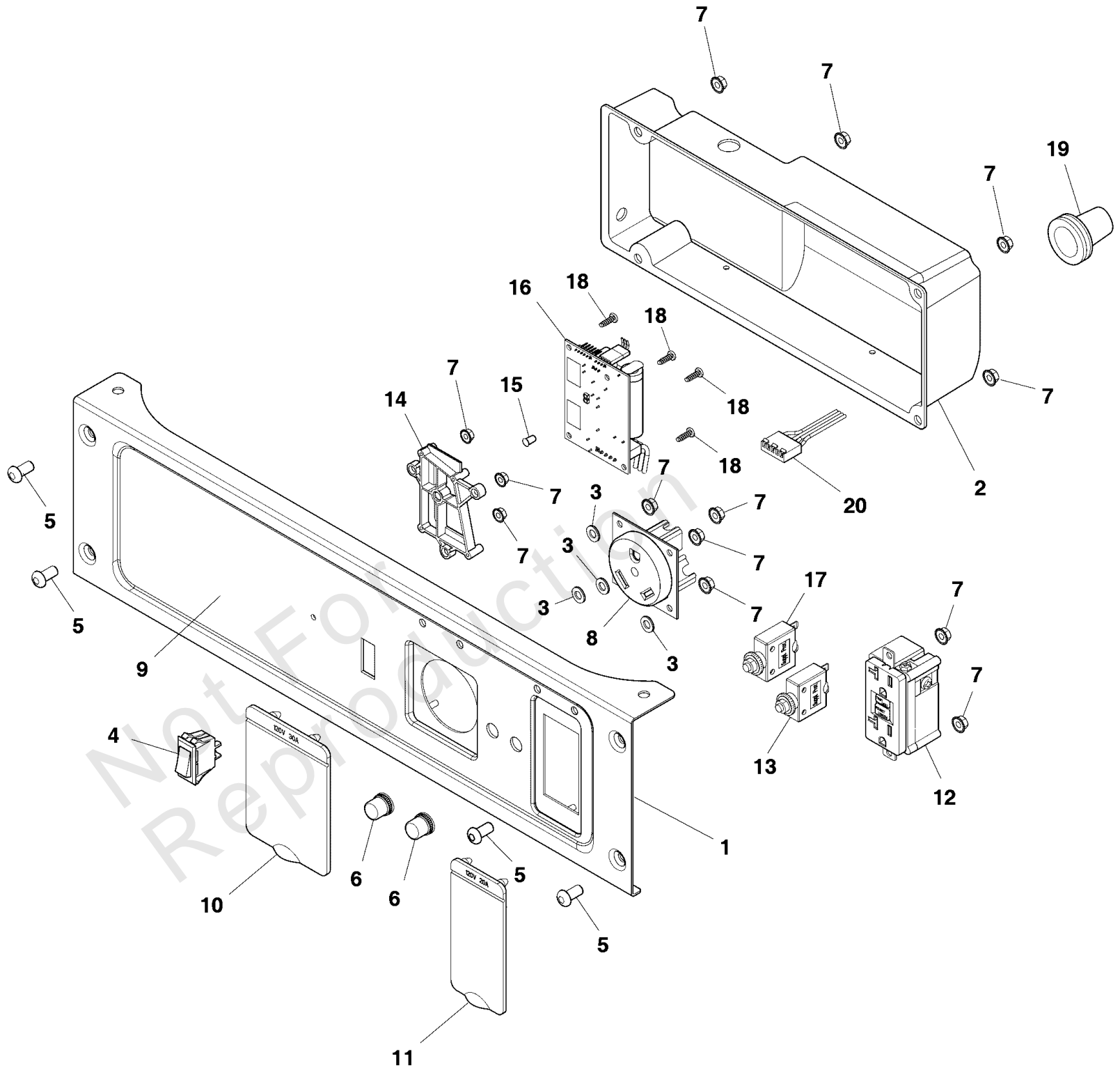
Mfg. No: 030736-03  
3,500 Watt, Briggs & Stratton 49 State



# Control Panel

Note: Unless noted otherwise, use the standard torque specifications

Mfg. No: 030736-03



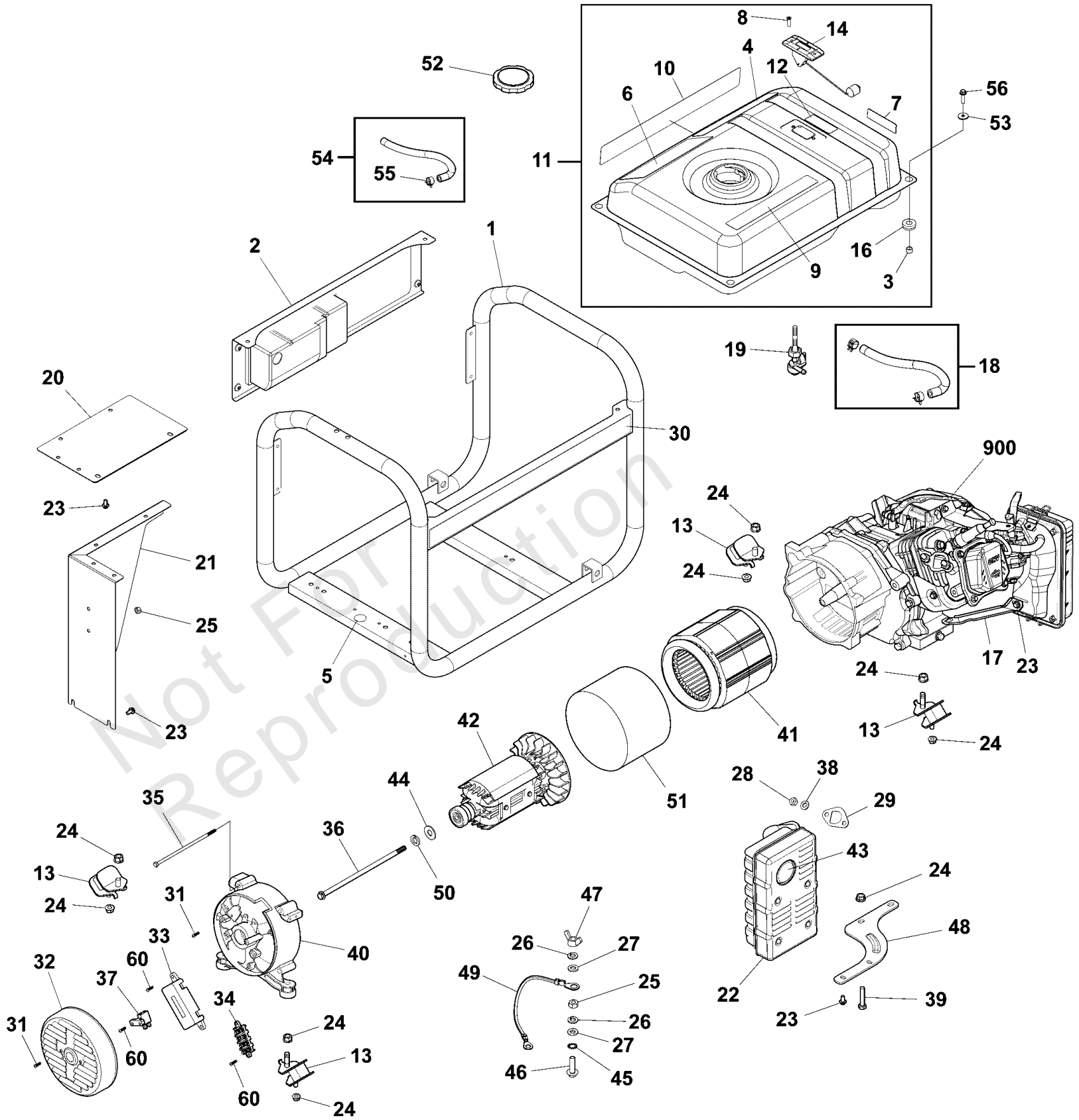
## Control Panel

| REF NO | PART NO  | QTY | DESCRIPTION                         |
|--------|----------|-----|-------------------------------------|
| 1      | 84002327 | 1   | PANEL-CONTROL<br>-(Includes Item 9) |
| 2      | 84002324 | 1   | BOX-CONTROL PANEL                   |
| 3      | 84002325 | 1   | WASHER-FLAT                         |
| 4      | 319525GS | 1   | SWITCH-ON/OFF                       |
| 5      | 772229   | 4   | SCREW                               |
| 6      | 312636GS | 2   | BOOT, Circuit Breaker               |
| 7      | 795016   | 13  | NUT                                 |
| 8      | 704904   | 1   | OUTLET                              |
| 9      | 84002328 | 1   | DECAL                               |
| 10     | 84002322 | 1   | COVER-OUTLET                        |
| 11     | 319476GS | 1   | COVER-OUTLET                        |
| 12     | 709526   | 1   | OUTLET-GFCI                         |
| 13     | 318063GS | 1   | BREAKER-CIRCUIT, 30A                |
| 14     | 772213   | 1   | BRACKET-MODULE                      |
| 15     | 772217   | 1   | LIGHT-PIPE                          |
| 16     | 84005244 | 1   | MODULE-CO                           |
| 17     | 318063GS | 1   | BREAKER-CIRCUIT, 30A                |
| 18     | 84001081 | 4   | SCREW                               |
| 19     | 312741GS | 1   | GROMMET                             |
| 20     | 84002319 | 1   | HARNESS-WIRING                      |

# Main Unit

Note: Unless noted otherwise, use the standard torque specifications

Mfg. No: 030736-03



## Main Unit

| REF NO | PART NO      | QTY | DESCRIPTION                        |
|--------|--------------|-----|------------------------------------|
| 1      | 84002344     | 1   | CRADLE<br>-(Includes Items 5 & 30) |
| 2      | REF-80098482 | 1   | Refer to: Control Panel Group      |
| 3      | 189137GS     | 4   | SPACER                             |
| 4      | 84002345     | 1   | DECAL                              |
| 5      | 704331       | 1   | DECAL                              |
| 6      | 84001068     | 1   | DECAL                              |
| 7      | 772236       | 1   | DECAL                              |
| 8      | 314440GS     | 1   | SCREW                              |
| 9      | 772237       | 1   | DECAL                              |
| 10     | 84002342     | 1   | DECAL                              |
| 11     | 84002346     | 1   | TANK, FUEL                         |
| 12     | 703264       | 1   | DECAL                              |
| 13     | 706149       | 4   | MOUNT-VIBRATION                    |
| 14     | 704183       | 1   | GAUGE-FUEL                         |
| 16     | 189134GS     | 4   | GROMMET, Rubber                    |
| 17     | 709662       | 1   | BRACKET                            |
| 18     | 791745       | 1   | LINE, Fuel<br>-(Cut to Fit)        |
| 19     | 209417GS     | 1   | VALVE, Fuel                        |
| 20     | 709655       | 1   | HEATSHIELD                         |
| 21     | 709660       | 1   | HEATSHIELD                         |
| 22     | 709665       | 1   | MUFFLER                            |
| 23     | 706152       | 1   | SCREW, M6 x 12                     |
| 24     | 67989GS      | 8   | NUT, M8 Flange Serrated            |
| 25     | 49813GS      | 1   | NUT, Hex, M6 - 1.0                 |
| 26     | 22097GS      | 2   | WASHER, Lock, Split, 1/4"          |
| 27     | 49811GS      | 2   | WASHER                             |
| 28     | 45771GS      | 1   | NUT, M8 - 1.25                     |
| 29     | 709664       | 1   | GASKET, Muffler Adapter            |
| 30     | 84002343     | 1   | DECAL                              |
| 31     | 312909GS     | 2   | SCREW                              |
| 32     | 703191       | 1   | COVER-REAR BEARING                 |
| 33     | 709666       | 1   | VOLTAGE REGULATOR                  |
| 34     | 703075       | 1   | TERMINAL BLOCK                     |
| 35     | 706918       | 4   | BOLT                               |
| 36     | 707155       | 1   | BOLT                               |
| 37     | 703113       | 1   | BRUSH ASSY                         |
| 38     | 703454       | 1   | LOCKWASHER, Spring, 3/8            |
| 39     | 84001095     | 1   | BOLT                               |
| 40     | 703190       | 1   | CARRIER-BEARING                    |
| 41     | 84003181     | 1   | STATOR                             |
| 42     | 709670       | 1   | ROTOR                              |
| 43     | 83083GS      | 1   | SCREEN, Spark Arrest               |
| 44     | 189295GS     | 1   | Washer, .432 x 1 x .064            |
| 45     | 26850GS      | 1   | WASHER, Ext. M6 - 1/4" Shakeproof  |
| 46     | 189156GS     | 1   | HHCS, M6-1.0 x 25                  |
| 47     | 87680GS      | 1   | NUT, M6 - 1.0 Wing                 |
| 48     | 709661       | 1   | BRACKET-MUFFLER                    |

### Footnotes:

(Note:\* Verify your specific engine model, reference the ID Tag located on your engine.) (Refer to your local Briggs & Stratton distributor for parts and service.)

## Main Unit

| REF NO | PART NO        | QTY | DESCRIPTION                               |
|--------|----------------|-----|---|
| 49     | 706165         | 1   | WIRE                                      |
| 50     | 801237         | 1   | WASHER                                    |
| 51     | 709657         | 1   | BAND-STATOR                               |
| 52     | 319587GS       | 1   | CAP-FUEL                                  |
| 53     | 312005GS       | 4   | WASHER                                    |
| 54     | 315017GS       | 1   | HOSE, Vapor (cut to fit)<br>-(Cut to Fit) |
| 55     | 314955GS       | 1   | CLAMP                                     |
| 56     | 703805         | 4   | SCREW                                     |
| 60     | 312908GS       | 2   | SCREW                                     |
| 900    | 13U132-0003-G1 | 1   | Engine<br>-*(See Note:)                   |

Not For  
Reproduction

---

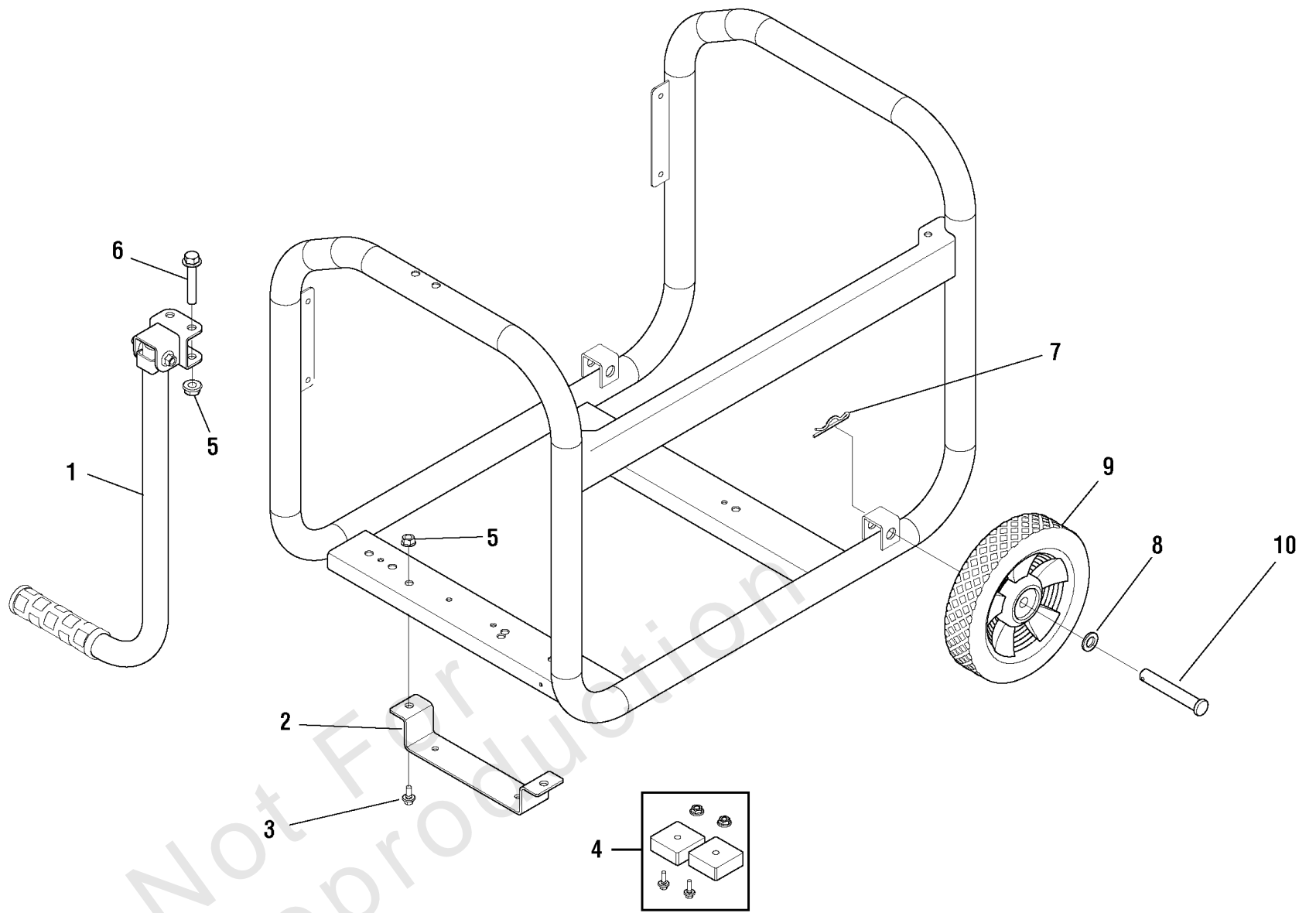
**Footnotes:**

(Note:\* Verify your specific engine model, reference the ID Tag located on your engine.) (Refer to your local Briggs & Stratton distributor for parts and service.)

# Wheel Kit (80017980)

Note: Unless noted otherwise, use the standard torque specifications

Mfg. No: 030736-03



## Wheel Kit (80017980)

| REF NO | PART NO  | QTY | DESCRIPTION                        |
|--------|----------|-----|------------------------------------|
| 1      | 709676   |     | HANDLE                             |
| 2      | 709677   |     | SUPPORT-LEG                        |
| 3      | -----    |     | * BOLT, M8-1.25 x 16               |
| 4      | 319285GS |     | MOUNT-VIBRATION                    |
| 5      | -----    |     | * NUT, Flange, M8                  |
| 6      | -----    |     | * BOLT, M8 x 80                    |
| 7      | 316510GS |     | PIN-HAIR                           |
| 8      | 318034GS |     | WASHER                             |
| 9      | 318032GS |     | WHEEL                              |
| 10     | 318035GS |     | AXLE                               |
| --     | 707180   |     | KIT-HARDWARE<br>-(Not Illustrated) |

Not For  
Reproduction

---

**Footnotes:**

\* Items without part numbers are common fasteners. Purchase locally.



