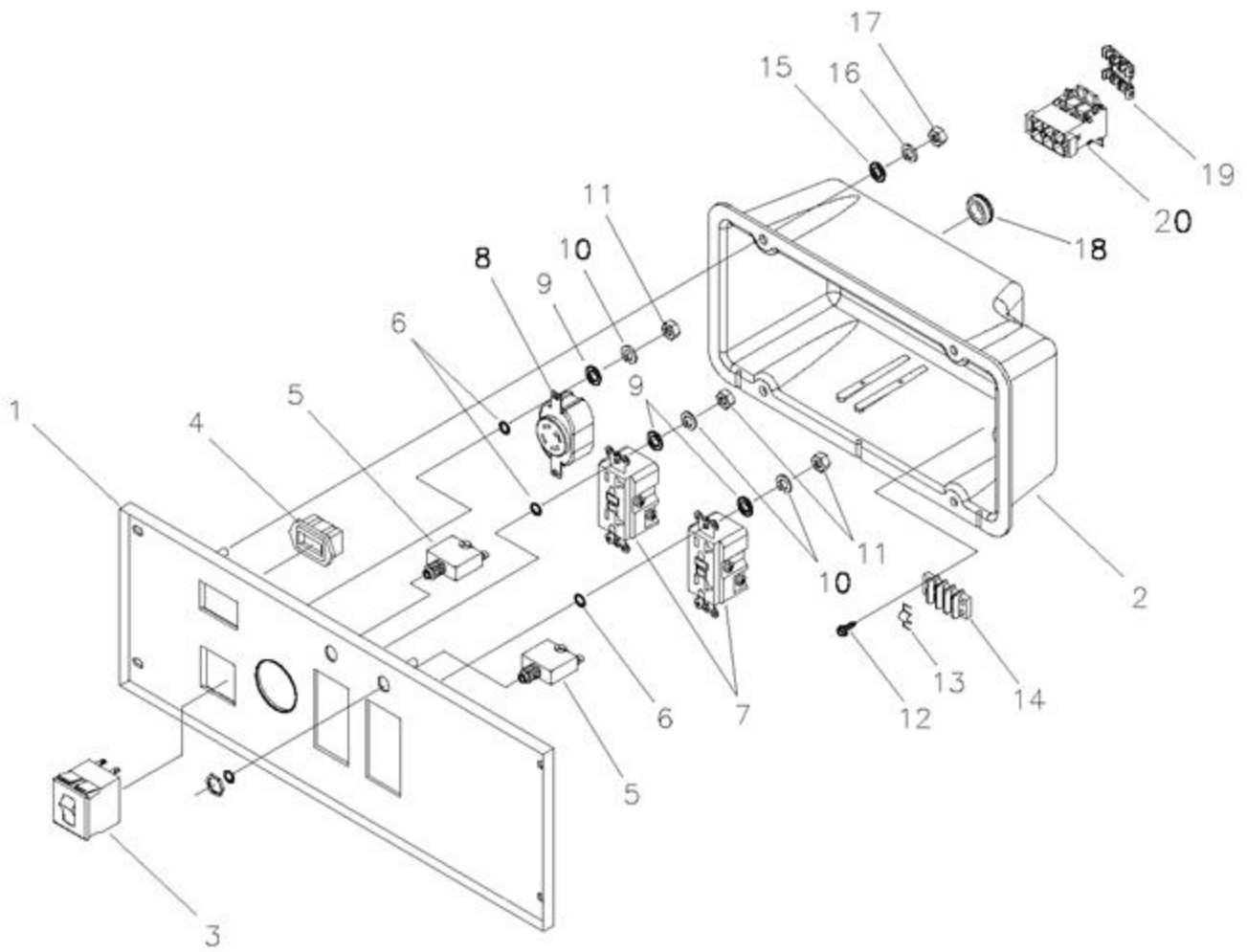
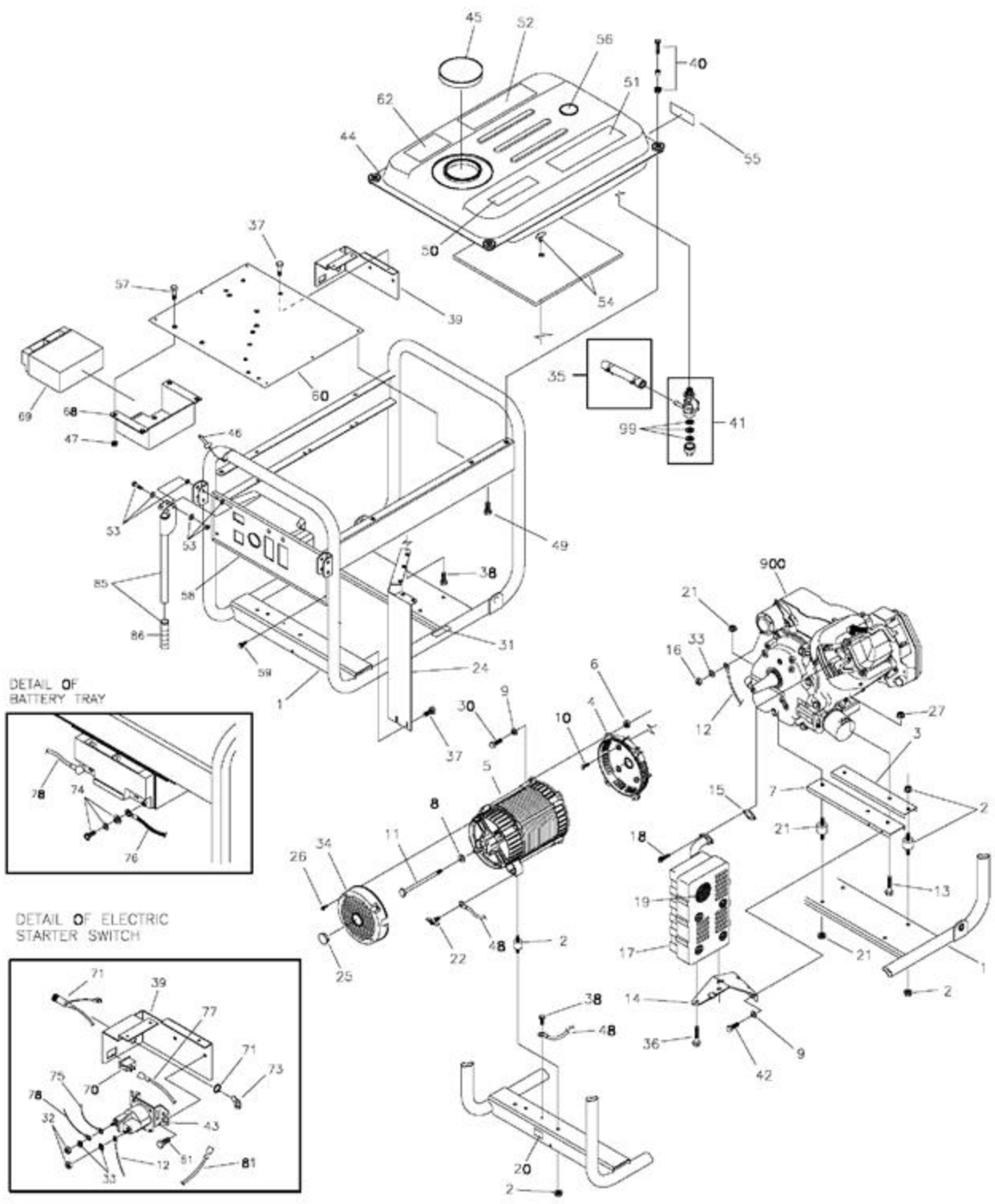


Ref #	Part #	Description	Qty	Context	Note	Foot	Note
1	186059GS	ADAPTER, Mounting, Alternator					
2	194773GS	ASSY, Rotor (Includes Item 10)					
3	200434AGS	STATOR					
4	193336GS	RBC, (with O-Ring p/n 189197)					
5	86308KGS	HHCS, M6 - 1.0 x 175 SEMS					
6	66386GS	ASSY, Holder, Brush					
7	66849GS	TAPTITE, M5 - 0.8 x 16					
8	205858GS	BOARD, Circuit, System Control					
9	81917GS	PIN, Roll, 4mm x 10					
10	65791GS	BEARING					
11	74908GS	SCREW, M5 .8 x 10, Taptite					
12	23762GS	WASHER, Shakeproof, Ext #10					



Ref #	Part #	Description	Qty	Context Note	Foot Note
1	198237GS	PANEL, Control			
2	198239GS	BOX, Control Panel			
3	191479GGS	BREAKER, Circuit, 30A			
4	198245GS	METER, Hour			
5	75207DGS	BREAKER, Circuit, 15A			
6	-----	WASHER, Shakeproof, Int. #8		Purchase locally	
7	94373GS	OUTLET, 120V, 15A Duplex			
8	43437GS	OUTLET, 120/240V, 30A			
9	-----	WASHER, Flat, M4		Purchase locally	
10	-----	WASHER, Lock, M4		Purchase locally	
11	-----	NUT, M4 - 0.7		Purchase locally	
12	198495GS	SCREW, 4 x 18, Tapping			
13	193095GS	JUMPER, Terminal Block			
14	193427GS	STRIP, Terminal, 3 Pole			
15	-----	WASHER, Flat, M5		Purchase locally	
16	-----	WASHER, Lock, M5		Purchase locally	
17	-----	NUT, M5 - 0.8		Purchase locally	
18	38057GS	GROMMET			
19	199532GS	STRIP, Dual Row, TPA, 6 Circuit			
20	199528GS	PLUG, Dual Row, Housing, 6 Circuit			
--	194273GS	TUBING, Fabric, Heat Shrinkable		Not Illustrated	



DETAIL OF BATTERY TRAY

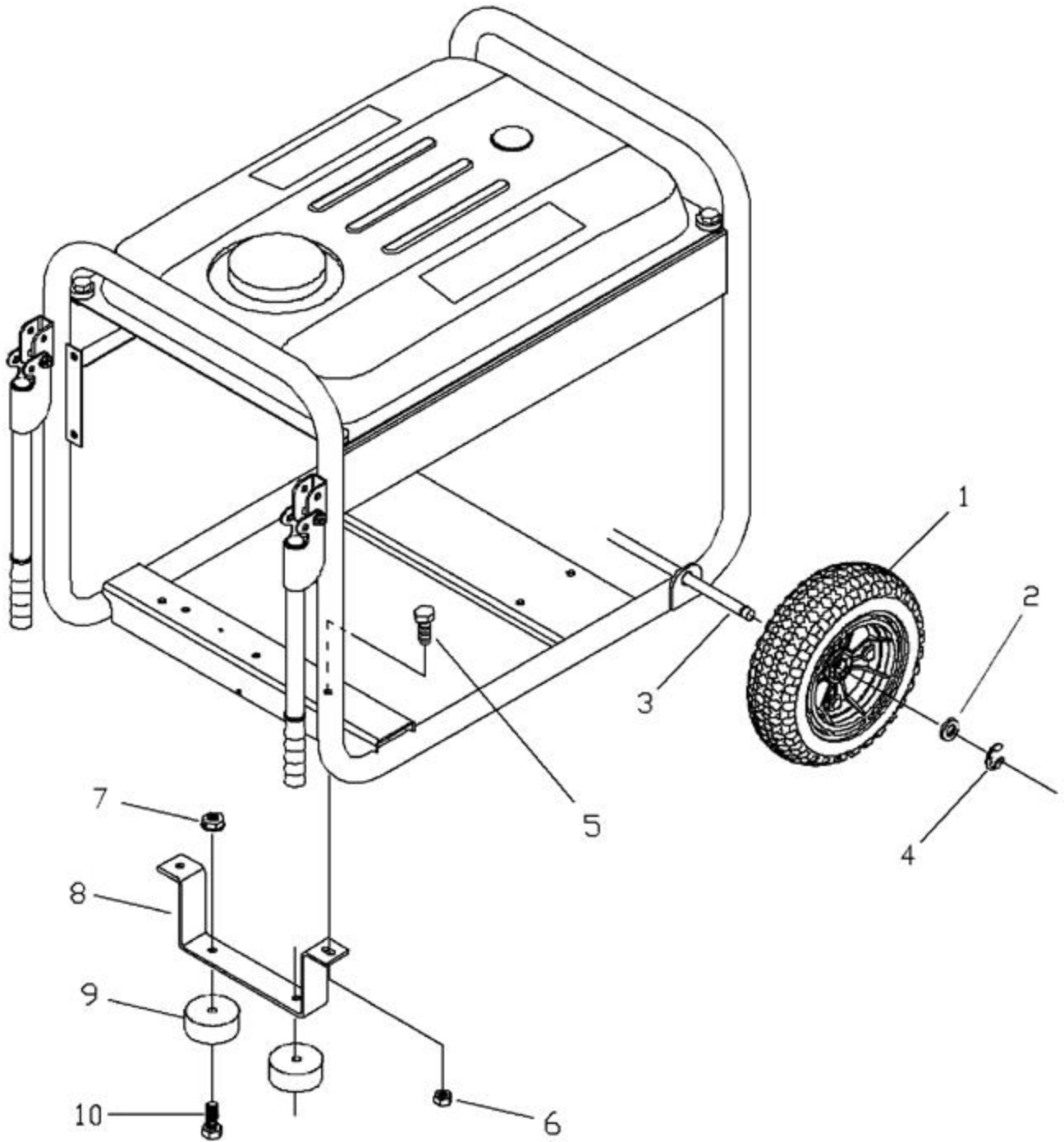
DETAIL OF ELECTRIC STARTER SWITCH

Ref #	Part #	Description	Qty	Context Note	Foot Note
1	B194898GS	KIT, Cradle		(Includes Ref. Nos. 20 & 31)	
2	194155GS	KIT, Vibration Mount			
3	B92531GS	BRACKET, Support Engine			
4	190220GS	ADAPTER, Engine			
5	NSP	ALTERNATOR ASSEMBLY		(See page 5)	
6	-----	NUT, Hex M8 - 1.25		Purchase locally	
7	B92731GS	BRACKET, Support Eng/Muffler			
8	96796GS	WASHER, 8.4 x 22.2 x 3			
9	-----	WASHER, Lock M8		Purchase locally	
10	190274BGS	SBHC, 3/8-16 x 1"			
11	47481GS	HHCS, 5/16 - 24 x 10.62			
12	189302LGS	ASM WIRE, #16, Red			
13	-----	HHCS, M8 1.25 x 45		Purchase locally	
14	92532GS	BRACKET, Muffler			
15	90239GS	GASKET, Exhaust			
16	-----	NUT, Hex M6 1.0		Purchase locally	
17	A7433GS	MUFFLER			
18	-----	SHCS, M8 - 1.25 x 20		Purchase locally	
19	83083GS	SCREEN, Spark Arrest			
20	B4986GS	DECAL, Ground			
21	198222GS	KIT, Vibration Mount			
22	86494GS	SCREW, Wing M6 - 1.0 x 16			
24	194390GS	ASSY., Heat Shield			
25	191190GS	CAP			
26	74908GS	TAPTITE, M5 - 0.8 x 10			
27	67989GS	NUT, M8 Flange Serrated			
30	-----	HHCS, M8 - 1.25 x 25		Purchase locally	
31	196830GS	DECAL, Exhaust Warning			
32	-----	NUT, 1/4 - 20		Purchase locally	
33	-----	WASHER, 1/4 Lock		Purchase locally	
34	195422GS	COVER, RBC Plastic with Cap			
35	791745	KIT, Fuel Hose (cut to fit)			
36	-----	HHCS, M6 1.0 x 12		Purchase locally	
37	56893GS	CRIMPTITE, 10-24 x 1/2			
38	B2153GS	SCREW, Self Driller, 12-14 x 7/8			
39	B196810GS	BRACKET, Starter			

Ref #	Part #	Description	Qty	Context Note	Foot Note
40	198221GS	KIT, Fuel Tank Hardware (Includes Qty 4)			
41	189133GS	VALVE, Fuel			
42	-----	HHCS, 5/16 - 18 x 3/4		Purchase locally	
43	691656	SOLENOID			
44	198224GS	ASSEMBLY, Tank Fuel		(Includes Ref. Nos. 41, 50, 51, 52, 55 & 62)	
45	189135GS	CAP, Tank Fuel			
46	B4135GS	PIN, Handle Release			
47	77395GS	NUT, M6 Flange Lock			
48	195373GS	WIRE, Ground			
49	192376GS	SCREW, 12-24 x 1/2, Thread Forming			
50	188333GS	DECAL, Instruction Fuel Level			
51	194799GS	DECAL, Danger			
52	189235GS	DECAL, Start Instructions			
53	194034GS	KIT, Folddown Handle Hardware			
54	194448GS	KIT, Insulation w/ Clip			
55	197797GS	DECAL, Fuel Shutoff			
56	192724GS	GAUGE, Fuel			
57	-----	HHCS, M6 - 1.0 x 12		Purchase locally	
58	201463GS	ASSY. Control Panel			
59	198611GS	PPHS, 1/4 - 20 x 0.5			
60	204594GS	HEATSHEILD			
61	B4300GS	HHS, 1/4 - 20 x 1/2, Trilobular			
62	202997GS	DECAL, Warning CO			
68	195680GS	TRAY, Battery			
69	193463GS	BATTERY			
70	87799GS	SWITCH, Rocker On/Off			
71	196626GS	ASSY, Jack, Coax, DC			
73	192351GS	LUG, 1/4, #22/18			
74	193347GS	KIT, Hardware Battery			
75	196627AGS	WIRE-A, #13, Red			
76	185939KGS	ASM WIRE, #55 Black			
77	196627BGS	WIRE-A, #13B, Red			
78	189302MGS	ASM WIRE, #13 Red			
81	196627EGS	WIRE-A, #0, Black			
85	B193200GS	ASSY, Fold Down Handle			

Ref #	Part #	Description	Qty	Context Note	Foot Note
86	198669GS	GRIP, Handle			
99	189759GS	KIT, Fuel Valve Repair			
900	-----	ENGINE		Contact Engine Manufacturer	
--	199825GS	MANUAL, Operator`s		Not Illustrated	
--	BB3061GS	BOTTLE, Oil		Not Illustrated	
--	B4177GS	CHARGER, Battery		Not Illustrated	
--	195236GS	FUSE (5 Pack)		Not Illustrated	
--	195237GS	CAP, Fuse (4 Pack)		Not Illustrated	
--	191895DGS	SET, Cord		Not Illustrated	
--	202179GS	DECAL, Family, CA EVP		Not Illustrated	
--	198220GS	KIT, Decal Srv.		Not Illustrated	

Ref #	Part #	Description	Qty	Context Note	Foot Note
-------	--------	-------------	-----	--------------	-----------



Ref #	Part #	Description	Qty	Context Note	Foot Note
1	196517GS	WHEEL			
2	-----	WASHER, 5/8"		(Purchase Locally)	
3	191267RGS	AXLE, 5/8"			
4	191265GS	E-RING			
5	-----	HHCS, M8 1.25 x 20		(Purchase Locally)	
6	67989GS	NUT, M8, Flange Serrated			
7	77395GS	NUT, M6 Flange Lock			
8	198629GS	ASSY, Support		(Includes Item 9)	
9	87841GS	MOUNT, Vibration			
10	-----	HHCS, M6 - 1.0 x 16		(Purchase Locally)	