



# SERVICE PARTS LIST

**BULLETIN NO.**  
**54-06-0553**

SPECIFY CATALOG NO. AND SERIAL NO. WHEN ORDERING PARTS		REVISED BULLETIN	DATE
<b>1/2" MAGNUM HOLE-SHOOTER</b>		54-06-0552	June '92
CATALOG NO. 0244-1	STARTING SERIAL NO. 664-83073	WIRING INSTRUCTION <b>58-01-1074</b>	

**EXAMPLE:**

00 0

Component Parts ( Small #)  
Are Included When Ordering  
The Assembly (Large #).

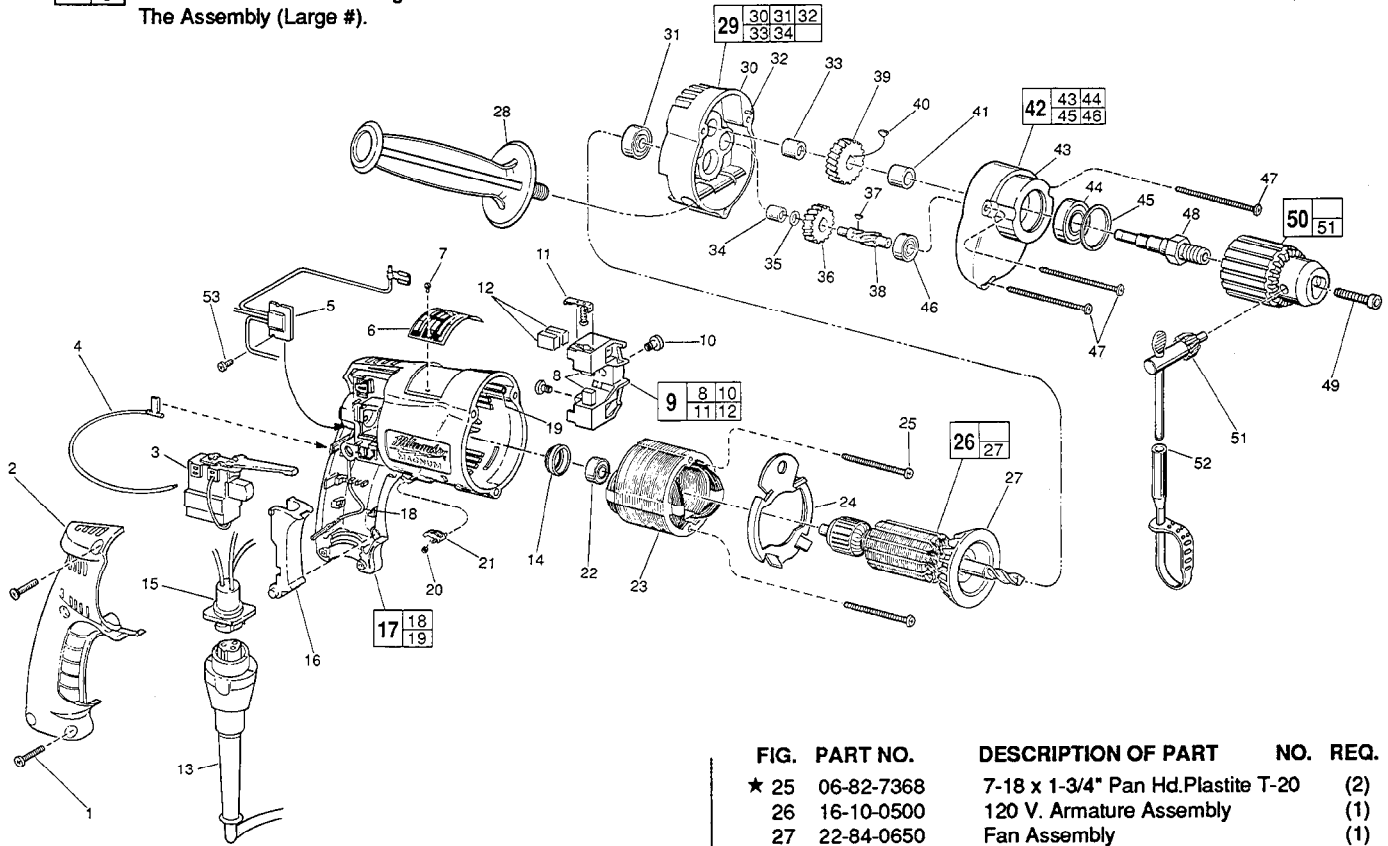


FIG.	PART NO.	DESCRIPTION OF PART	NO.	REQ.
1	06-82-7266	7-1/8 x 11/16" Pan Hd. Plastite T-20	(5)	
2	31-15-0400	Handle Cover	(1)	
3	23-66-1665	Trigger Speed Control Reversing Switch	(1)	
4	23-94-6245	2-1/4 Lead Assembly	(1)	
5	14-20-0250	Remote Electronic Assembly	(1)	
6	12-99-0071	Nameplate Blank	(1)	
7	06-85-0200	Nameplate Screw	(2)	
8	22-16-0275	Carbon Brush	(2)	
9	22-22-0351	Brush Holder Assembly	(1)	
10	31-75-0040	Brush Holder Screw	(2)	
11	22-20-0345	Brush Spring Assembly	(2)	
12	22-16-0275	Carbon Brush (Spares)	(2)	
13	48-76-4008	Cord Set	(1)	
14	22-72-0100	Bearing Cup	(1)	
15	22-56-0302	Pin Housing Assembly	(1)	
16	45-72-0080	Trigger	(1)	
17	14-38-0580	Motor Housing Assembly	(1)	
18	23-94-9686	Ground Wire Assembly	(1)	
19	44-60-1290	Grounding Pin	(1)	
20	40-50-0085	Lock Button Spring	(1)	
21	42-42-0150	Lock Button	(1)	
22	02-04-0645	Ball Bearing	(1)	
23	18-10-0055	120 Volt Field	(1)	
★ 24	42-14-0340	Baffle	(1)	

FIG.	PART NO.	DESCRIPTION OF PART	NO.	REQ.
★ 25	06-82-7368	7-18 x 1-3/4" Pan Hd. Plastite T-20	(2)	
26	16-10-0500	120 V. Armature Assembly	(1)	
27	22-84-0650	Fan Assembly	(1)	
28	43-62-0885	Side Handle	(1)	
29	14-13-0460	Diaphragm Assembly	(1)	
30		Diaphragm	(1)	
31	02-04-0847	Ball Bearing	(1)	
32	06-65-0825	1/8 x 1/2 Groove Pin No. 5	(1)	
33	02-50-2020	Needle Bearing	(1)	
34	02-50-1620	Needle Bearing	(1)	
35	45-88-7721	Heat Treated Washer	(1)	
36	32-40-1815	Intermediate Gear	(1)	
37	06-42-0400	Woodruff Key	(1)	
38	36-66-4290	Intermediate Pinion	(1)	
39	32-75-3040	Spindle Gear	(1)	
40	06-42-1200	Woodruff Key	(1)	
41	45-36-1100	Spacer	(1)	
42	14-30-0335	Gear Case Assembly	(1)	
43		Gear Case	(1)	
44	02-04-1229	Ball Bearing	(1)	
45	34-80-2300	Retaining Ring	(1)	
46	02-04-0640	Ball Bearing	(1)	
47	06-82-7411	7-18 x 2-3/16" Pan Hd. Plastite T-20	(3)	
48	38-50-5250	Spindle - Double Reduction	(1)	
49	06-75-3150	1/4-20x1" Socket Hd. Screw-LH. Thread	(1)	
50	48-66-1365	1/2" Chuck	(1)	
51	48-66-3280	Chuck Key	(1)	
52	48-66-4040	Key Holder	(1)	
53	06-82-7212	4-20x1/4" Pan Hd. Plastite T-10	(1)	
	10-98-5986	Warning Label	(1)	

**FIG. LUBRICATION**

43 1-1/2 Oz. Type "E" Grease, No. 49-08-4122.

**MILWAUKEE ELECTRIC TOOL CORPORATION**  
13135 W. LISBON RD., BROOKFIELD, WI 53005