



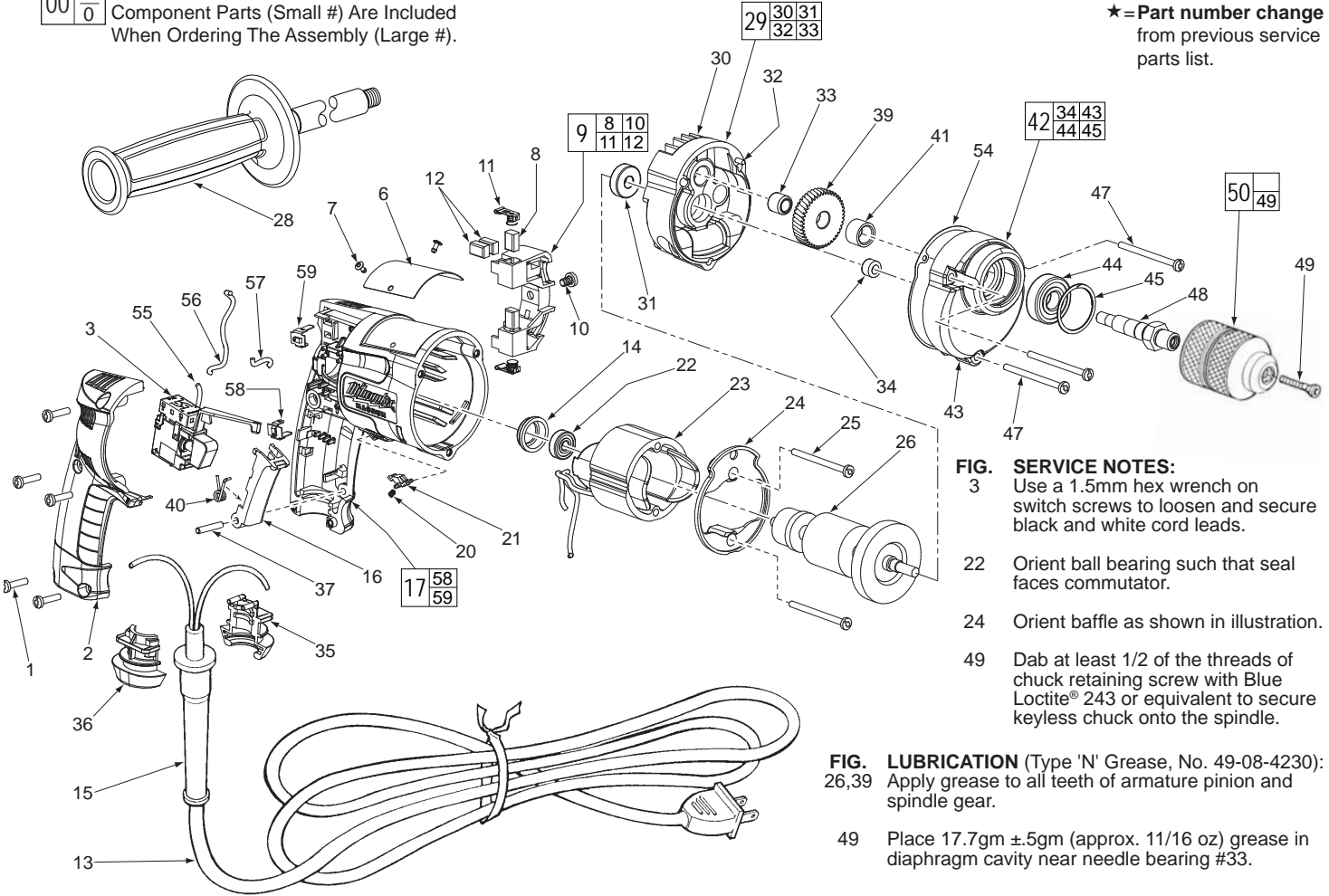
# SERVICE PARTS LIST

**BULLETIN NO.**  
**54-06-1152**

<b>SPECIFY CATALOG NO. AND SERIAL NO. WHEN ORDERING PARTS</b>		REVISED BULLETIN 54-06-1151	DATE June 2009
<b>3/8" KEYLESS MAGNUM HOLE-SHOOTER</b>		WIRING INSTRUCTION <b>58-01-1651</b>	
<b>CATALOG NO.</b> 0233-20	<b>STARTING SERIAL NO.</b> 924C		

**EXAMPLE:**  
Component Parts (Small #) Are Included  
When Ordering The Assembly (Large #).

★ = Part number change  
from previous service  
parts list.



- FIG. 3 SERVICE NOTES:**
- 3 Use a 1.5mm hex wrench on switch screws to loosen and secure black and white cord leads.
  - 22 Orient ball bearing such that seal faces commutator.
  - 24 Orient baffle as shown in illustration.
  - 49 Dab at least 1/2 of the threads of chuck retaining screw with Blue Loctite® 243 or equivalent to secure keyless chuck onto the spindle.

- FIG. LUBRICATION (Type 'N' Grease, No. 49-08-4230):**
- 26,39 Apply grease to all teeth of armature pinion and spindle gear.
  - 49 Place 17.7gm ±.5gm (approx. 11/16 oz) grease in diaphragm cavity near needle bearing #33.

FIG.	PART NO.	DESCRIPTION OF PART	NO. REQ.	FIG.	PART NO.	DESCRIPTION OF PART	NO. REQ.
	1	06-82-7266 7-1/8 x 11/16" Pan Hd. Plastite T-20	(5)		35	31-17-0260 Cord Clamp - Lower	(1)
★	2	31-15-0405 Handle Cover	(1)		36	31-17-0270 Cord Clamp - Upper	(1)
★	3	23-66-1705 Trigger Speed Control Reversing Switch	(1)	★	37	06-65-0105 4 x 22 Pin	(1)
★	6	12-99-0077 Nameplate Blank	(1)		39	32-75-2915 Spindle Gear	(1)
	7	06-72-1720 Nameplate Rivet	(2)	★	40	40-50-0525 Torsion Spring	(1)
★	8	22-16-0295 Carbon Brush	(2)		41	45-36-1105 Spacer	(1)
★	9	22-22-0352 Brush Holder Assembly	(1)		42	14-30-0232 Gearcase Assembly	(1)
★	10	23-44-0200 Brush Holder Screw	(1)		43	----- Gearcase	(1)
	11	22-20-0345 Brush Spring Assembly	(2)		44	02-04-1229 Ball Bearing	(1)
★	12	22-16-0295 Carbon Brush (Spares)	(2)		45	34-80-2300 Retaining Ring	(1)
	13	22-64-0216 Cord Set	(1)		47	06-82-7380 7-18 x 1-7/8" Pan Hd. Plast. T-20	(3)
	14	22-72-0100 Bearing Cup	(1)		48	38-50-6100 Spindle - Single Reduction	(1)
	15	44-76-0210 Cord Protector	(1)		49	45-04-0750 Chuck Retaining Screw - L.H.Thd.	(1)
★	16	45-72-0085 Trigger	(1)		50	48-66-1530 3/8" Keyless Chuck	(1)
★	17	14-38-0542 Motor Housing Assembly	(1)		54	43-44-0913 Gasket	(1)
	20	40-50-0085 Lock Button Spring	(1)	★	55	23-94-6248 Leadwire Assembly, Blue	(1)
	21	42-42-0460 Lock Button	(1)	★	56	23-94-6336 Leadwire Assembly, Black	(1)
	22	02-04-0645 Ball Bearing	(1)	★	57	23-94-6405 Leadwire Assembly, White	(1)
★	23	18-11-0076 120 Volt Field	(1)	★	58	23-74-1030 Terminal, Lower	(1)
★	24	42-14-0405 Baffle	(1)	★	59	23-74-1040 Terminal, Upper	(1)
	25	06-82-7398 7-18 x 2-1/16" Pan Hd. Plast. T-20	(2)		10-98-5996	Warning Label (Not Shown)	(1)
★	26	16-10-0802 120 V. Armature Assembly	(1)				
★	28	43-62-0886 Side Handle Assembly	(1)				
★	29	14-13-0498 Diaphragm Assembly	(1)				
	30	----- Diaphragm	(1)				
	31	02-04-0851 Ball Bearing	(1)				
	32	06-65-0825 1/8 x 1/2 Groove Pin No. 5	(1)				
	33	02-50-2435 Needle Bearing	(1)				
	34	42-40-0045 Bushing	(1)				