



SERVICE PARTS LIST

BULLETIN NO.
54-06-0682

SPECIFY CATALOG NO. AND SERIAL NO. WHEN ORDERING PARTS		REVISED BULLETIN	DATE
3/8" T.S.C. REV. HOLE-SHOOTER		54-06-0681	Apr.'93
CATALOG NO. 0230-1	STARTING SERIAL NO. 732-20788	WIRING INSTRUCTION 58-01-0021	

EXAMPLE:
Component Parts (Small #)
Are Included When Ordering
The Assembly (Large #).

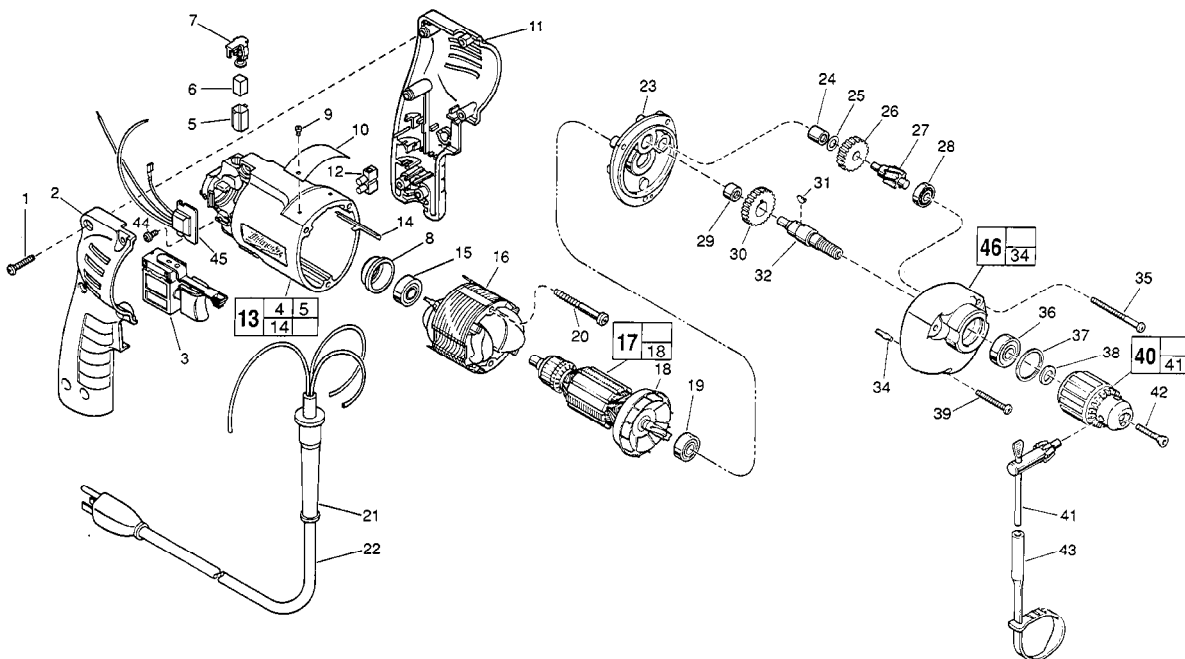


FIG. PART NO.	DESCRIPTION OF PART	NO. REQ.	
★ 1	06-82-7284	8-16 x 3/4" Pan Hd. Slit. Plast. T-20	(6)
★ 2	31-44-1705	Right Handle Half	(1)
3	23-66-1655	Speed Control Switch	(1)
★ 4	23-94-6225	Ground Wire Assembly (Not Shown)	(1)
★ 5	22-20-0790	Brush Tube	(2)
6	22-16-0275	Carbon Brush	(2)
★ 7	23-52-1560	Brush Spring Assembly	(2)
★ 8	22-72-0100	Bearing Cup	(1)
9	06-85-0200	Nameplate Screw	(2)
★ 10	12-99-0850	Service Nameplate	(1)
★ 11	31-44-1700	Left Handle Half	(1)
12	22-56-0456	Terminal Block	(1)
★ 13	14-38-0550	Motor Housing Assembly	(1)
14	44-60-0530	Ground Pin	(1)
15	02-04-0645	Ball Bearing	(1)
★ 16	18-11-0060	120 Volt Field	(1)
17	16-10-0470	120 Volt Armature	(1)
18	22-84-0760	Fan Assembly	(1)
19	02-04-0847	Ball Bearing	(1)
★ 20	06-82-7393	7-18x 2" Pan Hd. Slit. Plast. T-20	(2)
★ 21	44-76-0210	Cord Protector	(1)
★ 22	22-64-3180	Cord Set	(1)
★ 23	28-28-1940	Diaphragm	(1)
24	02-50-1210	Needle Bearing	(1)
25	45-88-7301	Heat Treated Washer	(1)
26	32-40-1950	Intermediate Gear	(1)
27	36-66-4390	Intermediate Pinion Shaft	(1)
28	02-04-0640	Ball Bearing	(1)
29	02-50-1620	Needle Bearing	(1)
30	32-75-3240	Spindle Gear	(1)

FIG. PART NO.	DESCRIPTION OF PART	NO. REQ.	
31	06-42-0800	Woodruff Key	(1)
32	38-50-5660	Reversing Spindle	(1)
34	06-65-0825	1/8 x 1/2" Groove Pin 5	(1)
35	06-82-7368	7-18x1-3/4" Pan Hd. Slit. Plast. T-20	(2)
36	02-04-1020	Ball Bearing	(1)
37	34-80-1400	Retaining Ring	(1)
38	45-88-7940	Chuck Washer	(1)
39	06-82-7308	7 x 1-1/8" Pan Hd. Slit. Plast. T-20	(1)
40	48-66-0795	3/8" Chuck	(1)
41	48-66-3240	Chuck Key	(1)
42	45-04-0750	Chuck Screw - L.H. Thread	(1)
43	48-66-4040	Key Holder	(1)
44	06-82-7212	4-20x1/4" Pan Hd. Slit. Plast. T-10	(1)
★ 45	14-20-0405	Remote Electronic Assembly	(1)
46	14-30-0620	Gear Case Assembly	(1)

FIG. LUBRICATION
46 1-1/2 Oz. Type "E" Grease, No. 49-08-4122. Place Grease Near Intermediate Shaft Ball Bearing In Gear Case.

FIG. NOTES
1 Torque to 18-22 In./Lbs.
20, 35, 39 Torque to 15-20 In./Lbs.
42 Torque to 30-35 In./Lbs.
44 Torque to 3-5 In./Lbs.
8 Place in motor housing before inserting armature.
24,29 Press flush to casting surface.
15,19 Seal towards armature.
36 Seal towards chuck.

MILWAUKEE ELECTRIC TOOL CORPORATION
13135 W. LISBON RD., BROOKFIELD, WI 53005