



# SERVICE PARTS LIST

**BULLETIN NO.**  
54-06-0680

SPECIFY CATALOG NO. AND SERIAL NO. WHEN ORDERING PARTS		REVISED BULLETIN	DATE
3/8" HOLE-SHOOTER			Nov. '85
CATALOG NO. 0230-1	STARTING SERIAL NO. 732-1001	WIRING INSTRUCTION 58-01-0015	

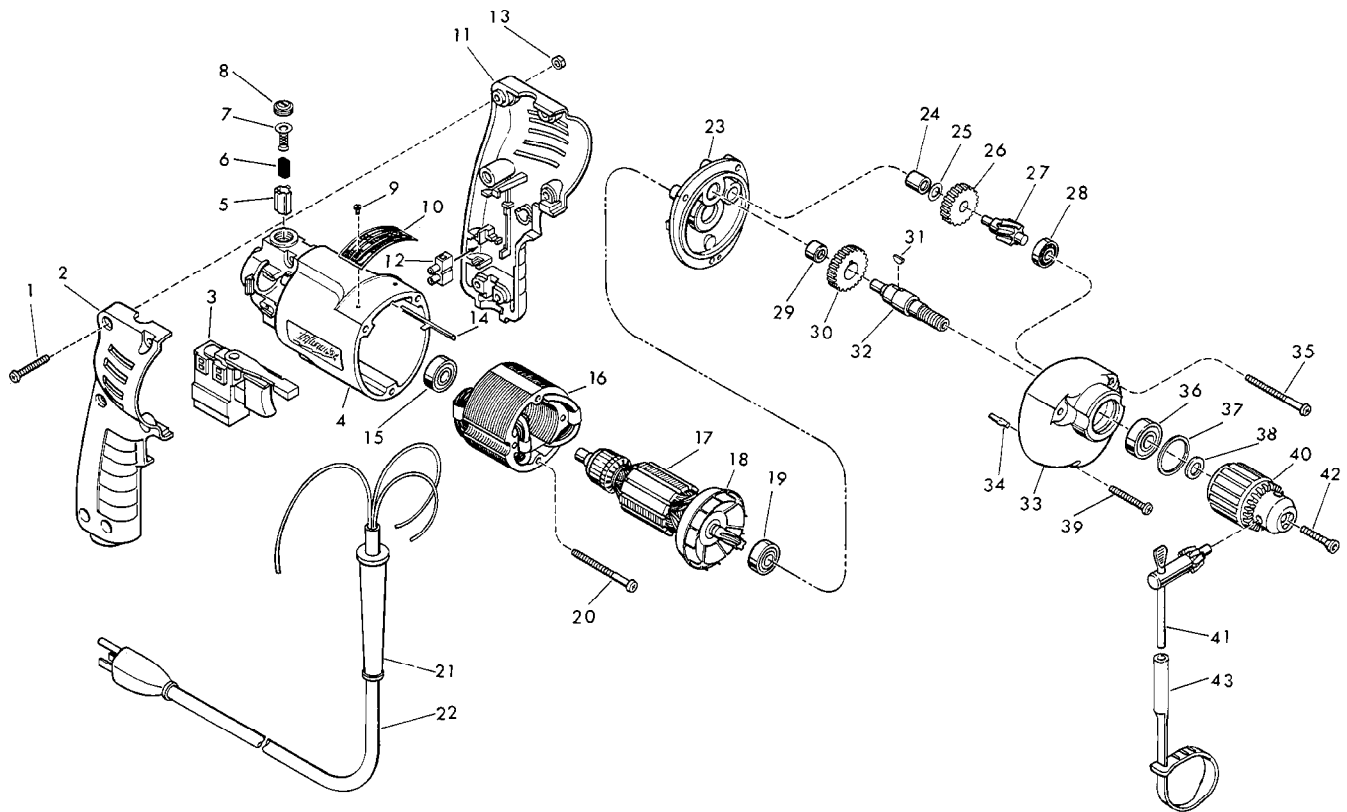


FIG.	PART NO.	DESCRIPTION OF PART	NO. REQ.
1	06-81-0473	8-32 x 1" Pan Hd. Pozi Dr. Screw	(6)
2	31-44-1130	Right Handle Half	(1)
3	23-66-1245	Speed Control Switch	(1)
4	31-50-0345	Motor Housing	(1)
5	22-20-0530	Brush Tube	(2)
6	22-16-0275	Carbon Brush	(2)
7	23-52-0210	Brush Spring Assembly	(2)
8	23-44-0120	Brush Retaining Screw	(2)
9	06-85-0200	Nameplate Screw	(2)
10	12-99-0420	Nameplate Blank	(2)
11	31-44-1140	Left Handle Half	(1)
12	22-56-0455	Terminal Block	(1)
13	06-55-0835	8-32 Hex Nut	(1)
14	44-60-0530	Ground Pin	(6)
15	02-04-0645	Ball Bearing	(1)
16	18-10-0060	120V Field	(1)
17	16-10-0470	120V D.I. Armature - (Incl. Fig. No. 18)	(1)
18	22-84-0760	Fan Assembly	(1)
19	02-04-0847	Ball Bearing	(1)
20	06-95-0145	7-18 x 1-3/4" Pan Hd. Pozi Driv Screw	(2)
21	44-76-0130	Cord Protector	(1)
22	22-64-1120	Cord Set	(1)
23	28-28-1770	Diaphragm	(1)
24	02-50-1210	Needle Bearing	(1)
25	45-88-7301	Heat Treated Washer	(1)
26	32-40-1950	Intermediate Gear	(1)
27	36-66-4390	Intermediate Shaft	(1)
28	02-04-0640	Ball Bearing	(1)
29	02-50-1620	Needle Bearing	(1)

FIG.	PART NO.	DESCRIPTION OF PART	NO. REQ.
30	32-75-3240	Spindle Gear	(1)
31	06-42-0800	Woodruff Key	(1)
32	38-50-5660	Reversing Spindle	(1)
33	28-14-1820	Gear Case	(1)
34	06-65-0825	1/8 x 1/2" Groove Pin 5	(1)
35	06-95-0145	7-18 x 1-3/4" Pan Hd. Pozi Driv Screw	(2)
36	02-04-1020	Ball Bearing	(1)
37	34-80-1400	Retaining Ring	(1)
38	45-88-7940	Chuck Washer	(1)
39	06-95-0137	7 x 1-1/8" Pan Hd. Pozi Dr. Screw	(1)
40	48-66-0795	3/8" Chuck - (Includes fig. No. 41)	(1)
41	48-66-3240	Chuck Key	(1)
42	45-04-0750	Chuck Screw - L.H. Thread	(1)
43	48-66-4040	Key Holder	(1)

### LUBRICATION

Use 1-1/2 Oz. Of Type "E" Grease In Gear Case