



SERVICE PARTS LIST

BULLETIN NO.
54-06-0660

SPECIFY CATALOG NO. AND SERIAL NO. WHEN ORDERING PARTS		REVISED BULLETIN	DATE
240 V. D.I. 3/8" HOLE-SHOOTER			Nov. '83
CATALOG NO. 0229-3	STARTING SERIAL NO. 724-1001	WIRING INSTRUCTION	
		58-01-0015	
CAT. NO.	START SER. NO.	BILINGUAL LABEL	

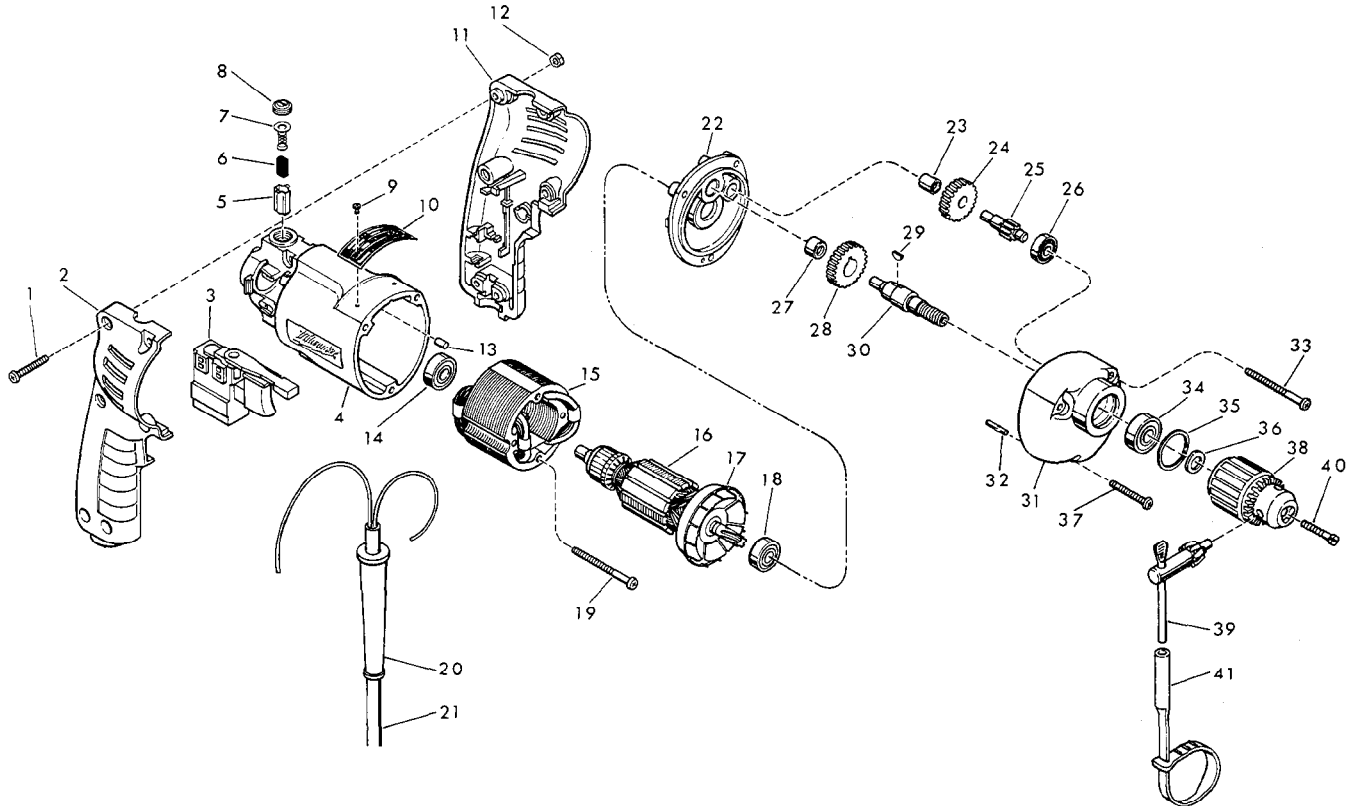


FIG.	PART NO.	DESCRIPTION OF PART	NO. REQ.	FIG.	PART NO.	DESCRIPTION OF PART	NO. REQ.
1	06-81-0473	8-32 x 1" Pan Hd. Pozi Dr. Screw	(6)	27	02-50-1620	Needle Bearing	(1)
2	31-44-1130	Right Handle Half	(1)	28	32-75-3080	Spindle Gear	(1)
3	23-66-1246	Speed Control Switch	(1)	29	06-42-0800	Woodruff Key	(1)
4	31-50-0480	Motor Housing	(1)	30	38-50-5370	Reversing Spindle	(1)
5	22-20-0530	Brush Tube	(2)	31	28-14-1530	Gear Case	(1)
6	22-16-0270	Carbon Brush	(2)	32	06-65-0825	1/8 x 1/2" Groove Pin 5	(1)
7	23-52-0210	Brush Spring Assembly	(2)	33	06-95-0145	7 x 1-3/4" Pan Hd. Pozi Dr. Screw	(2)
8	23-44-0120	Brush Retaining Screw	(2)	34	02-04-1020	Ball Bearing	(1)
9	06-85-0200	Nameplate Screw	(2)	35	34-80-1400	Retaining Ring	(1)
10	12-99-0415	Nameplate Blank	(1)	36	45-88-0085	Chuck Washer	(1)
11	31-44-1140	Left Handle Half	(1)	37	06-95-0137	7 x 1-1/8" Pan Hd. Pozi Dr. Screw	(1)
12	06-55-0835	8-32 Hex Nut	(6)	38	48-66-0795	3/8" Chuck - (Includes Fig. No. 41)	(1)
13	45-30-0120	Ball Bearing Retaining Slug	(1)	39	48-66-3240	Chuck Key	(1)
14	02-04-0710	Ball Bearing	(1)	40	45-04-0620	Chuck Screw - L.H. Thread	(1)
15	18-16-0060	120V Field	(1)	41	48-66-4040	Key Holder	(1)
16	16-16-0560	120V D.I. Armature - (Incl. Fig. No. 17)	(1)	42	10-98-5986	Warning Label (Not Shown)	(1)
17	22-84-0760	Fan Assembly	(1)			Omit For Canadian Tools	
18	02-04-0847	Ball Bearing	(1)				
19	06-95-0145	7 x 1-3/4" Pan Hd. Pozi Drive Screw	(2)				
20	44-76-0130	Cord Protector	(1)				
21	22-64-0235	Cord Set	(1)				
22	28-28-1640	Diaphragm	(1)				
23	02-50-1210	Needle Bearing	(1)				
24	32-40-1131	Intermediate Gear	(1)				
25	36-66-1751	Intermediate Shaft	(1)				
26	02-04-0640	Ball Bearing	(1)				