



# SERVICE PARTS LIST

**BULLETIN NO.**  
**54-06-0878**

<b>SPECIFY CATALOG NO. AND SERIAL NO. WHEN ORDERING PARTS</b>		REVISED BULLETIN 54-06-0877	DATE Apr. '98
<b>3/8" KEYLESS CHUCK HOLE-SHOOTER</b>			
CATALOG NO. <b>0229-1</b>	STARTING SERIAL NO. <b>820C / 820D</b>	WIRING INSTRUCTION <b>58-01-0031</b>	

**EXAMPLE:**  
Component Parts (Small #)  
Are Included When Ordering  
The Assembly (Large #).

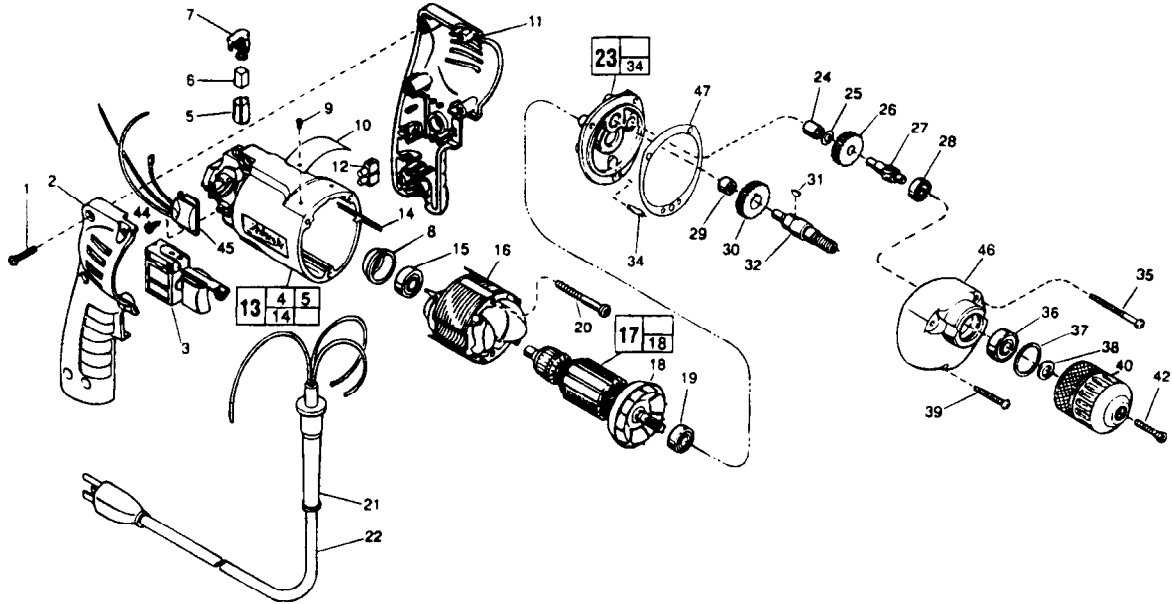


FIG. PART NO.	DESCRIPTION OF PART	NO. REQ.	
1	06-82-7284	8-16 x 3/4" Pan Hd. Slit. Plast. T-20	(6)
2	31-44-1745	Right Handle Half	(1)
3	23-66-2145	Speed Control Switch	(1)
4	23-94-6225	Ground Wire Assembly (Not Shown)	(1)
5	22-20-0830	Brush Tube	(2)
6	22-16-0275	Carbon Brush	(2)
7	23-52-1560	Brush Retaining Assembly	(2)
8	22-72-0100	Bearing Cup	(1)
9	06-72-1720	Nameplate Rivet	(2)
10	12-99-0850	Service Nameplate	(1)
11	31-44-1740	Left Handle Half	(1)
12	22-56-0456	Terminal Block	(1)
13	14-38-0601	Motor Housing Assembly	(1)
14	44-60-0530	Ground Pin	(1)
15	02-04-0645	Ball Bearing	(1)
16	18-11-0060	120 Volt Field	(1)
17	16-10-0470	120 Volt D.I. Armature	(1)
18	22-84-0760	Fan Assembly	(1)
19	02-04-0847	Ball Bearing	(1)
20	06-82-7393	7-18 x 2" Pan Hd. Slit. Plast. T-20	(2)
21	44-76-0210	Cord Protector	(1)
22	22-64-3181	Cord Set	(1)
★ 23	14-13-0530	Diaphragm Assembly	(1)
24	02-50-1210	Needle Bearing	(1)
25	45-88-7301	Heat Treated Washer	(1)
26	32-40-1950	Intermediate Gear	(1)
27	36-66-4380	Intermediate Pinion Shaft	(1)
28	02-04-0640	Ball Bearing	(1)
29	02-50-1620	Needle Bearing	(1)
30	32-75-3230	Spindle Gear	(1)

FIG. PART NO.	DESCRIPTION OF PART	NO. REQ.	
31	06-42-0800	Woodruff Key	(1)
32	38-50-5660	Reversing Spindle	(1)
★ 34	06-65-0880	Ground Pin	(1)
35	06-82-7368	7-18 x 1-3/4" Pan Hd. Slit. Plast. T-20	(2)
36	02-04-1020	Ball Bearing	(1)
37	34-80-1400	Retaining Ring	(1)
38	45-88-7940	Chuck Washer	(1)
39	06-82-7308	7-18 x 1-1/8" Pan Hd. Slit. Plast. T-20	(1)
40	48-66-0390	3/8" Keyless Chuck	(1)
42	45-04-0750	Chuck Screw - L.H. Thread	(1)
44	06-82-7212	4-20 x 1/4" Pan Hd. Slit. Plast. T-10	(1)
45	14-20-0750	Remote Electronic Assembly	(1)
★ 46	28-14-1825	Gear Case	(1)
★ 47	43-44-0925	Gasket	(1)

**FIG. LUBRICATION**

46 1-1/2 Oz. Type "E" Grease, No. 49-08-4122. Place Grease Near Intermediate Shaft Ball Bearing In Gear Case.

**FIG. NOTES**

- 1 Torque to 18-28 In./Lbs.
- 20, 35, 39 Torque to 15-20 In./Lbs.
- 42 Torque to 30-50 In./Lbs.
- 44 Torque to 3-5 In./Lbs.
- 8 Place in motor housing before inserting armature.
- 24, 29 Press flush to casting surface.
- 15, 19 Seal towards armature.
- 36 Seal towards chuck.

**MILWAUKEE ELECTRIC TOOL CORPORATION**  
13135 W. LISBON RD., BROOKFIELD, WI 53005