



SERVICE PARTS LIST

BUL. 54-06-2300

3/8" REV. SPEED CONTROL DRILL

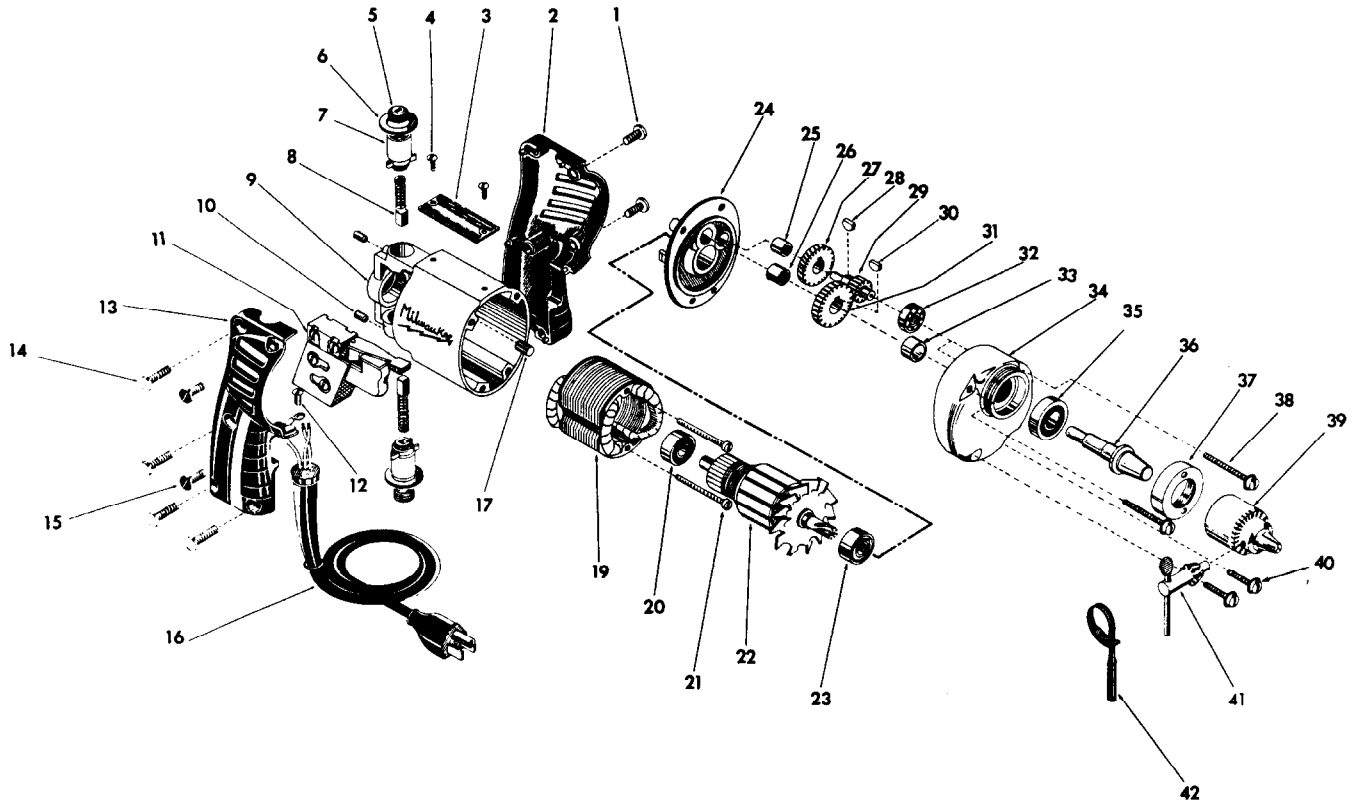
REVISED BUL DATE April '69

Catalog No. 0222-1

Starting Serial No. 430-1001

WIRING INSTR. 58-01-0650

Both Model and Serial No. must be furnished to obtain correct parts.



ILLUSTRATED PARTS

FIG.	PART NO.	DESCRIPTION OF PART	NO. REQ.	FIG.	PART NO.	DESCRIPTION OF PART	NO. REQ.
1	06-81-0450	8-32x3/8 Pan Hd. Handle Mtg. Scr.	(2)	22	16-22-1241	Armature Assy.	
2	31-44-0261	L.H. Handle Half		23	02-04-0740	Ball Bearing	
3	12-98-0600	Name Plate		24	28-28-0221	Diaphragm	
4	06-77-0625	Name Plate Drive Screws	(2)	25	02-50-1210	Needle Bearing	
5	23-44-0020	Brush Retaining Cap	(2)	26	02-50-1640	Needle Bearing	
6	23-86-0070	Insulating Washer	(2)	27	32-40-1121	Intermediate Gear	
7	22-22-0251	Brush Holder Assy.	(2)	28	06-42-0400	Woodruff Key	
8	22-18-0360	Carbon Brush Assy.	(2)	29	36-66-1551	Intermediate Pinion Shaft	
9	28-50-6091	Motor Housing (Incl. item 17)		30	06-42-0400	Woodruff Key	
10	06-83-2430	10-32x1/4 Brush Hldr. Soc. Hd. Set Scr. (2)		31	32-75-2721	Spindle Gear	
11	23-66-0790	Rev. Speed Control Switch		32	02-04-0640	Ball Bearing	
12	06-81-8625	6-32x1/4 (Bronze) Rd. Hd. Ground Scr.		33	45-36-0651	Spindle Spacer	
13	31-44-0250	R.H. Handle Half		34	28-14-0361	Gear Case Assy.	
14	06-81-0400	8-32x3/4 Pan Hd. Handle Mtg. Scr.	(4)	35	02-04-1020	Ball Bearing	
15	06-81-0450	8-32x3/8 Pan Hd. Handle Mtg. Scr.	(2)	36	38-50-5051	Spindle	
16	22-64-0450	Cord Set		37	42-52-0060	Bearing Cap	
17	45-30-0120	Ball Bearing Ret. Slug		38	06-81-6550	8-32x1 1/2 Fil. Hd. Sems Gear Case Scr. (2)	
19	18-22-1121	Field		39	48-66-0240	Chuck	
20	02-04-0740	Ball Bearing		40	06-81-6300	8-32x7/8 Fil. Hd. Sems Gear Case Scr. (2)	
21	06-81-5950	6-32x1-7/8 Fil. Hd. Field Screws	(2)	41	48-66-3080	Chuck Key	
				42	48-66-4040	Key Holder	