



SERVICE PARTS LIST

BUL. 54-06-2103

3/8" PISTOL DRILL

REVISED BUL 54-06-2102 DATE July '72

Catalog No. 0221

Starting Serial No. **378-9393**

WIRING INSTR. **58-01-0050**

Both Model and Serial No. must be furnished to obtain correct parts.

650 R.P.M.

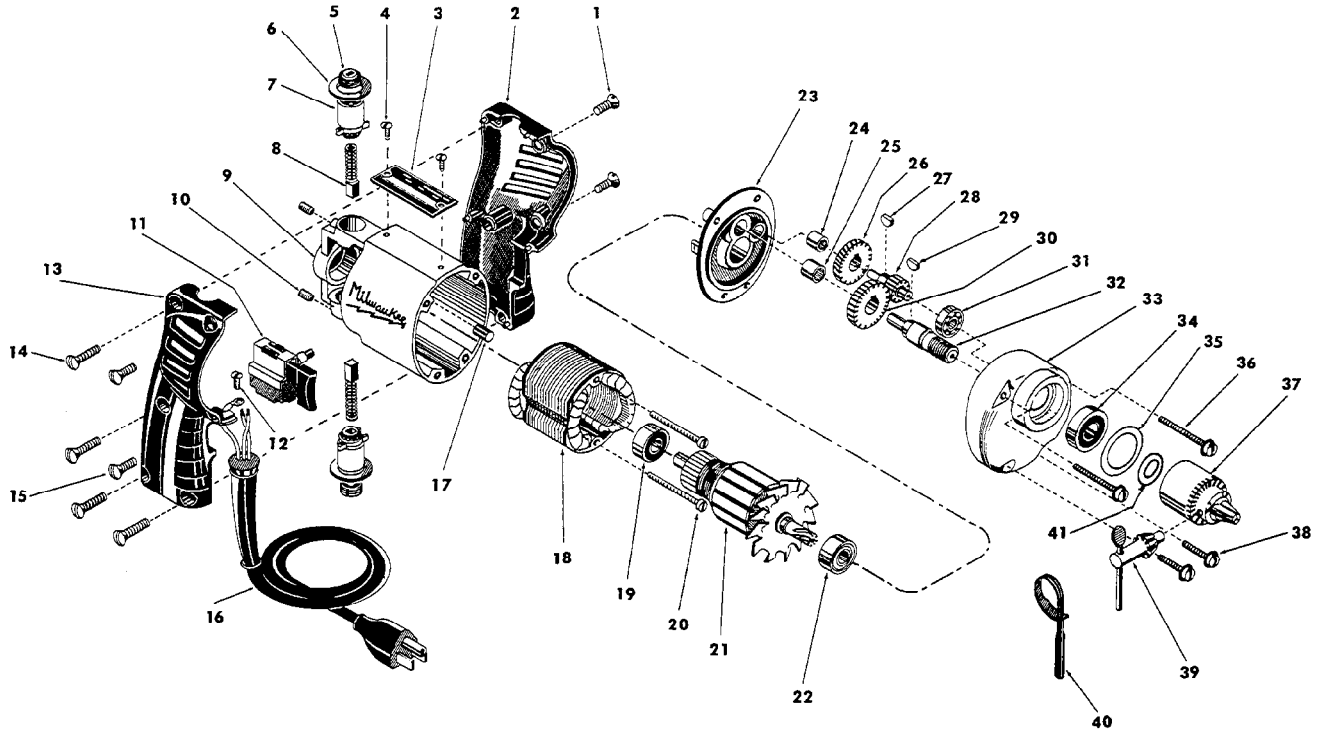


FIG.	PART NO.	DESCRIPTION OF PART	NO.REQ.	FIG.	PART NO.	DESCRIPTION OF PART	NO.REQ.
	1	8-32 x 3/8 Pan Hd. Screw	(2)	22	02-04-0740	Ball Bearing	
	2	31-44-0211 L. H. Handle Half		23	28-28-0221	Diaphragm	
★	3	12-99-0020 Name Plate		24	02-50-1210	Needle Bearing	
★	4	06-85-0200 Name Plate Screw	(2)	25	02-50-1640	Needle Bearing	
	5	23-44-0020 Brush Retaining Cap	(2)	26	32-40-1121	Intermediate Gear	
★	6	23-86-0105 Insulating Washer	(2)	27	06-42-0400	Woodruff Key	
	7	22-22-0251 Brush Holder Assy.	(2)	28	36-66-0851	Intermediate Pinion Shaft	
	8	22-18-0360 Carbon Brush Assy.	(2)	29	06-42-0800	Woodruff Key	
	9	28-50-6091 Motor Housing (Incl. Fig. No. 17)		30	32-75-1101	Spindle Gear	
	10	06-83-2430 10-32 x 1/4 Soc. Hd. Set Screw	(2)	31	02-04-0640	Ball Bearing	
	11	23-66-0510 Switch		32	38-50-1051	Spindle	
	12	06-81-8625 Ground Screw		★ 33	28-14-0363	Gear Case Assy.	
	13	31-44-0200 R. H. Handle Half		34	02-04-1020	Ball Bearing	
	14	06-81-0400 8-32 x 3/4 Pan Hd. Screw	(4)	★ 35	34-80-1400	Retaining Ring	
	15	06-81-0450 8-32 x 3/8 Pan Hd. Screw	(2)	★ 36	06-81-6575	8-32 x 1-5/8 Fil. Hd. Sems Screw	(2)
	16	22-64-0450 Cord Set		37	48-66-0800	Chuck	
	17	45-30-0120 Ball Bearing Ret. Slug		★ 38	06-81-6350	8-32 x 1 Fil. Hd. Sems Screw	(2)
	18	18-22-1121 Field		39	48-66-3080	Chuck Key	
	19	02-04-0740 Ball Bearing		40	48-66-4040	Key Holder	
	20	06-81-5950 6-32 x 1-7/8 Fil. Hd. Screw	(2)	★ 41	45-88-0080	Chuck Washer	
	21	16-22-1241 Armature Assy.					