



SERVICE PARTS LIST

BUL. 54-06-2102

3/8" PISTOL DRILL

REVISED BUL 54-06-2102 DATE March '70

Catalog No. 0221

Starting Serial No. 378-4611

WIRING INSTR. 58-01-0050

Both Model and Serial No. must be furnished to obtain correct parts.

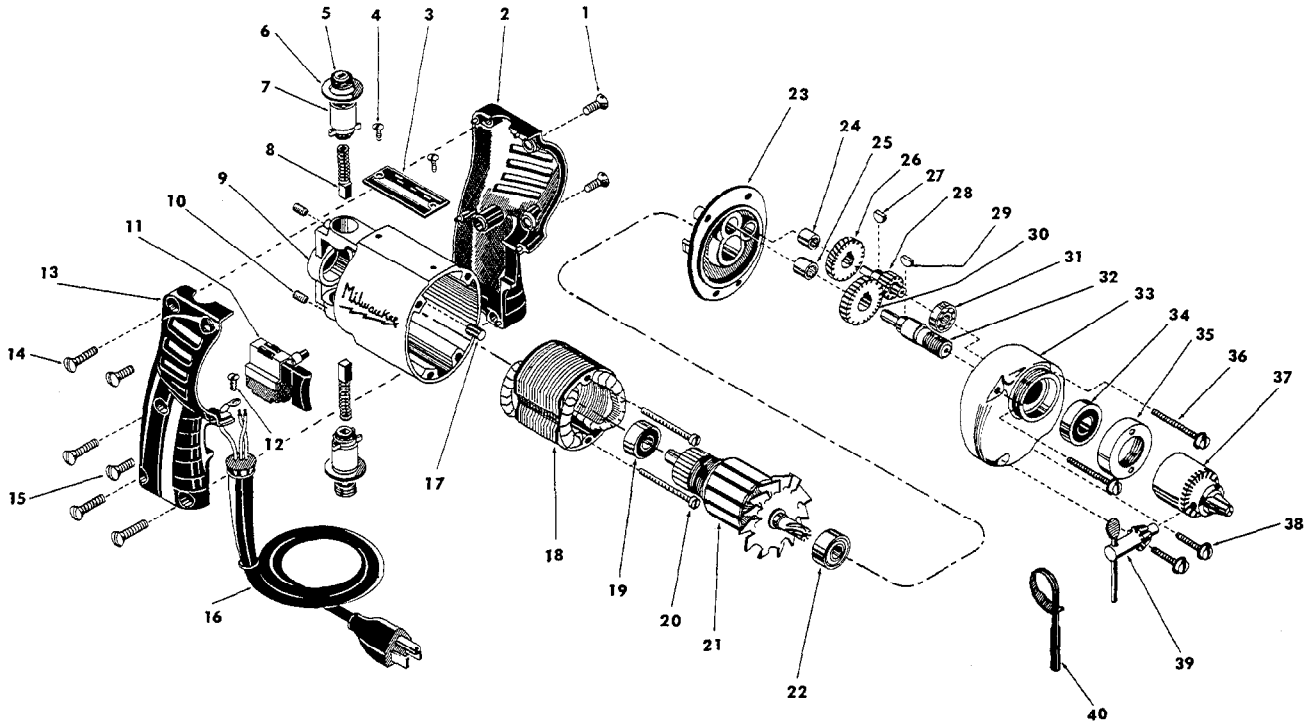


FIG.	PART NO.	DESCRIPTION OF PART	NO. REQ.
1	06-81-0450	8-32x3/8 Pan Hd. Handle Mtg.Scr.	(2)
2	31-44-0211	L.H. Handle Half	
3	12-98-0600	Name Plate	
★4	06-77-0625	Name Plate Drive Screws	(2)
5	23-44-0020	Brush Retaining Cap	(2)
6	23-86-0070	Insulating Washer	(2)
7	22-22-0251	Brush Holder Assy.	(2)
8	22-18-0360	Carbon Brush Assy.	(2)
9	28-50-6091	Motor Housing (Incl. item 17)	
★10	06-83-2430	10-32x1/4 Brush Hldr. Soc. Hd. Set Scr.(2)	
11	23-66-0510	Switch	
12	06-81-8625	6-32x1/4 (Bronze) Rd.Hd. Ground Scr.	
13	31-44-0200	R.H. Handle Half	
14	06-81-0400	8-32x3/4 Pan Hd. Handle Mtg.Scr.	(4)
15	06-81-0450	8-32x3/8 Pan Hd. Handle Mtg.Scr.	(2)
16	22-64-0450	Cord Set	
17	45-30-0120	Ball Bearing Ret. Slug	
18	18-22-1121	Field	
19	02-04-0740	Ball Bearing	
20	06-81-5950	6-32x1-7/8 Fil.Hd. Field Screws	(2)

FIG.	PART NO.	DESCRIPTION OF PART	NO. REQ.
21	16-22-1241	Armature Assy.	
22	02-04-0740	Ball Bearing	
23	28-28-0221	Diaphragm	
24	02-50-1210	Needle Bearing	
25	02-50-1640	Needle Bearing	
26	32-40-1121	Intermediate Gear	
27	06-42-0400	Woodruff Key	
28	36-66-0851	Intermediate Pinion Shaft	
29	06-42-0800	Woodruff Key	
30	32-75-1101	Spindle Gear	
31	02-04-0640	Ball Bearing	
32	38-50-1051	Spindle	
33	28-14-0361	Gear Case Assy.	
34	02-04-1020	Ball Bearing	
35	42-52-0060	Bearing Cap	
36	06-81-6550	8-32x1 1/2 Fil.Hd. Sems Gear Case Scr. (2)	
37	48-66-0800	Chuck	
38	06-81-6300	8-32x7/8 Fil.Hd. Sems Gear Case Scr.(2)	
39	48-66-3080	Chuck Key	
40	48-66-4040	Key Holder	