



# SERVICE PARTS LIST

## 3/8" PISTOL DRILL

**BUL. 54-06-2104**

REVISED BUL.  
54-06-2103

DATE  
Sept. '74

**Catalog No. 0221**

Starting  
Serial No. **378-11201**

**WIRING INSTRUCTIONS  
58-01-0646**

Specify Catalog and Serial No. when ordering parts

650 R.P.M.

FOR 230V TOOL USE:  
22-18-0375 CARBON BRUSH  
18-26-1121 FIELD  
16-26-1241 ARMATURE  
22-64-2665 CORD SET

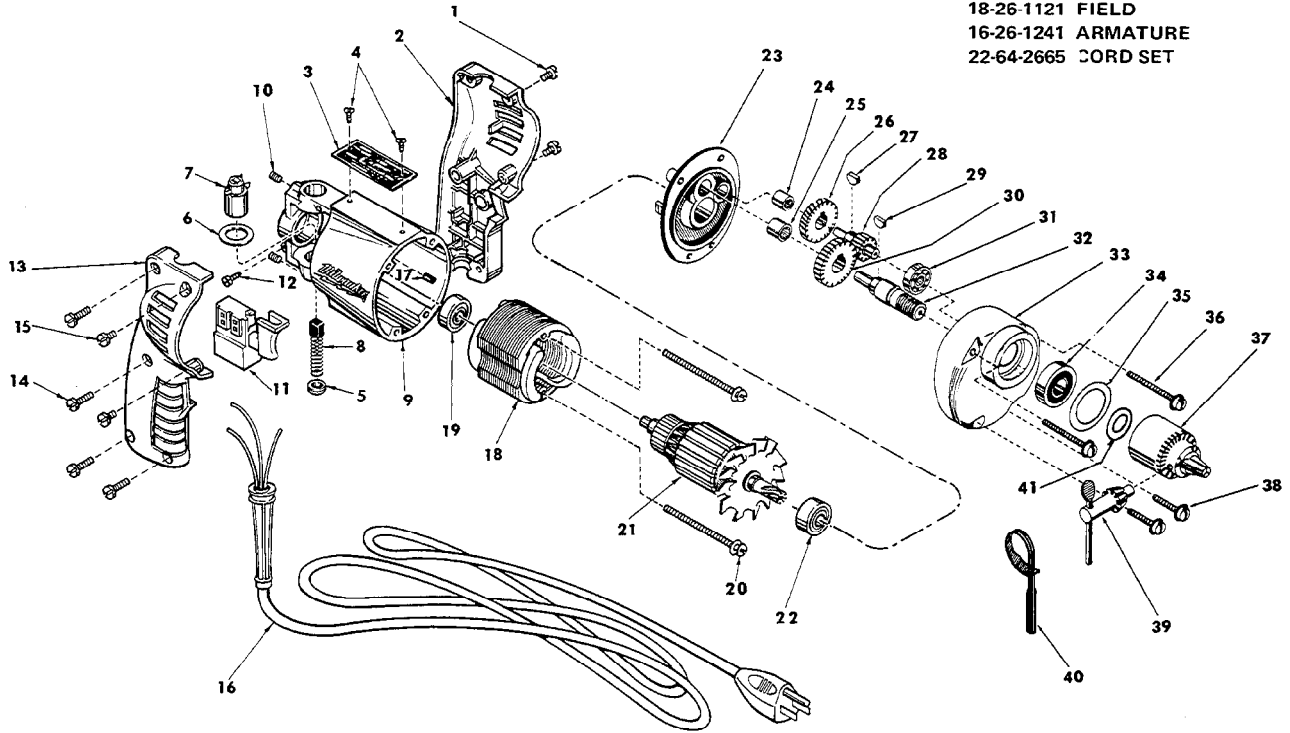


FIG.	PART NO.	DESCRIPTION OF PART	NO. REQ.	FIG.	PART NO.	DESCRIPTION OF PART	NO. REQ.
	1	06-81-0450 8-32x3/8 Pan Hd. Screw	(2)		22	02-04-0740 Ball Bearing	(1)
★	2	31-44-0290 L.H. Handle Half	(1)		23	28-28-0221 Diaphragm	(1)
	3	12-99-0020 Nameplate Blank	(1)		24	02-50-1210 Needle Bearing	(1)
	4	06-85-0200 Nameplate Screw	(2)		25	02-50-1640 Needle Bearing	(1)
	5	23-44-0020 Brush Retaining Cap	(2)		26	32-40-1121 Intermediate Gear	(1)
	6	23-86-0105 Insulating Washer	(2)		27	06-42-0400 Woodruff Key	(1)
	7	22-22-0251 Brush Holder Assy.	(2)		28	36-66-0851 Intermediate Pinion Shaft	(1)
★	8	22-18-0155 Carbon Brush Assy.	(2)		29	06-42-0800 Woodruff Key	(1)
	9	28-50-6091 Motor Housing (Incl. Fig. No. 17)	(1)		30	32-75-1101 Spindle Gear	(1)
	10	06-83-2430 10-32x1/4 Soc. Hd. Set Screw	(2)		31	02-04-0640 Ball Bearing	(1)
★	11	23-66-0515 Switch	(1)		32	38-50-1051 Spindle	(1)
	12	06-81-8625 Ground Screw	(1)		33	28-14-0363 Gear Case	(1)
★	13	31-44-0280 R.H. Handle Half	(1)		34	02-04-1020 Ball Bearing	(1)
	14	06-81-0400 8-32x3/4 Pan Hd. Screw	(4)		35	34-80-1400 Retaining Ring	(1)
	15	06-81-0450 8-32x3/8 Pan Hd. Screw	(2)		36	06-81-6575 8-32x1-5/8 Fil. Hd. Sems	(2)
★	16	22-64-0665 Cord Set	(1)		37	48-66-0800 Chuck	(1)
	17	45-30-0120 Ball Bearing Ret. Slug	(1)		38	06-81-6350 8-32x1 Fil. Hd. Sems	(2)
	18	18-22-1121 Field	(1)		39	48-66-3080 Chuck Key	(1)
	19	02-04-0740 Ball Bearing	(1)		40	48-66-4040 Key Holder	(1)
	20	06-81-5950 6-32x1-7/8 Fil. Hd. Screw	(2)		41	45-88-0080 Chuck Washer	(1)
	21	16-22-1241 Armature Assy.	(1)	★	42	12-98-7081 Caution Plate (Not Shown)	(1)