



SERVICE PARTS LIST

BULLETIN NO.
54-06-0830

SPECIFY CATALOG NO. AND SERIAL NO. WHEN ORDERING PARTS		REVISED BULLETIN	DATE
3/8" CORDLESS DRIVER/DRILL			Oct. '90
CATALOG NO.	0212-1	WIRING INSTRUCTION SEE REVERSE SIDE	
DATE CODE	85K01		

EXAMPLE:
Component Parts (Small #)
Are Included When Ordering
The Assembly (Large #).

00 0

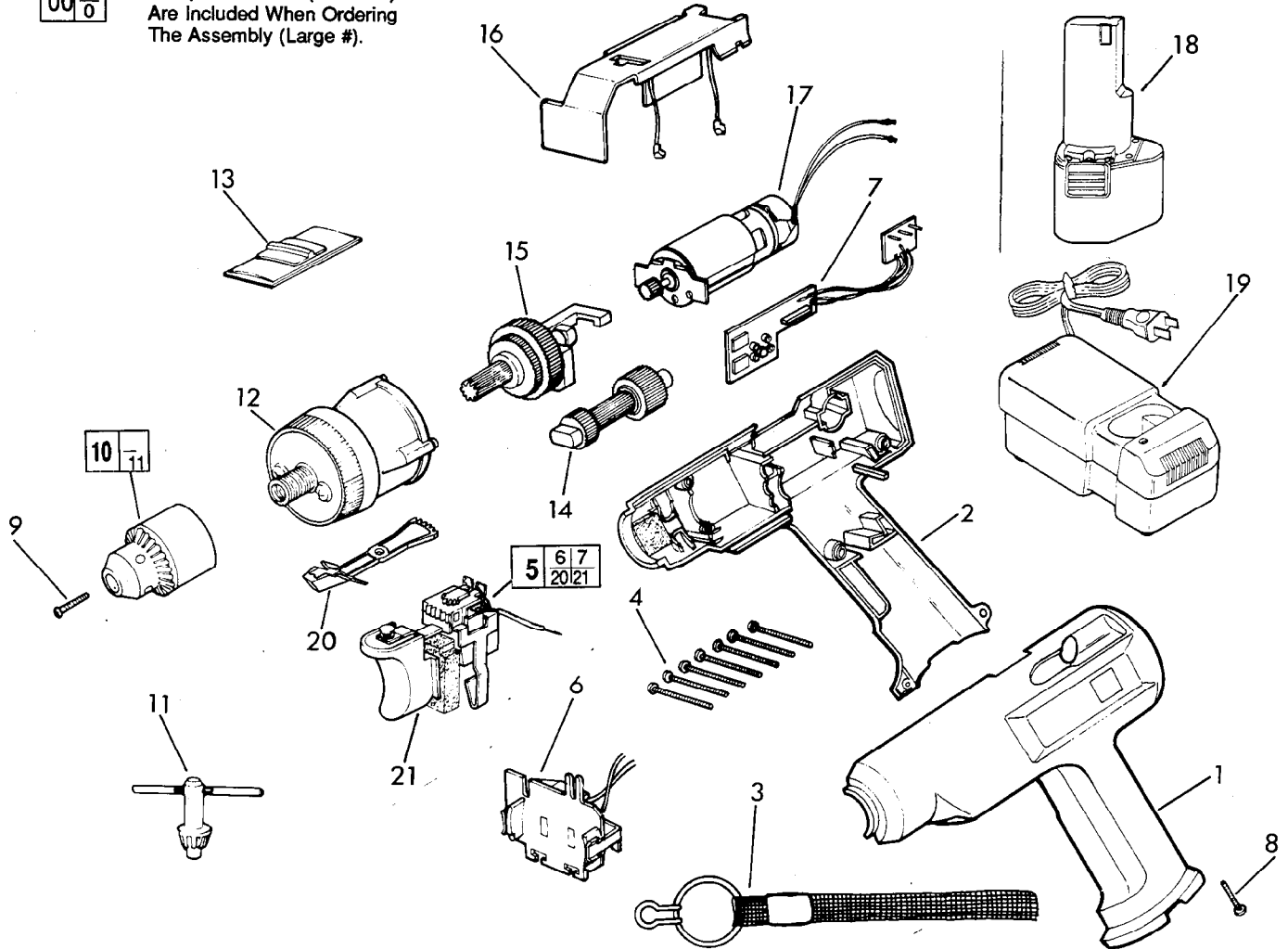
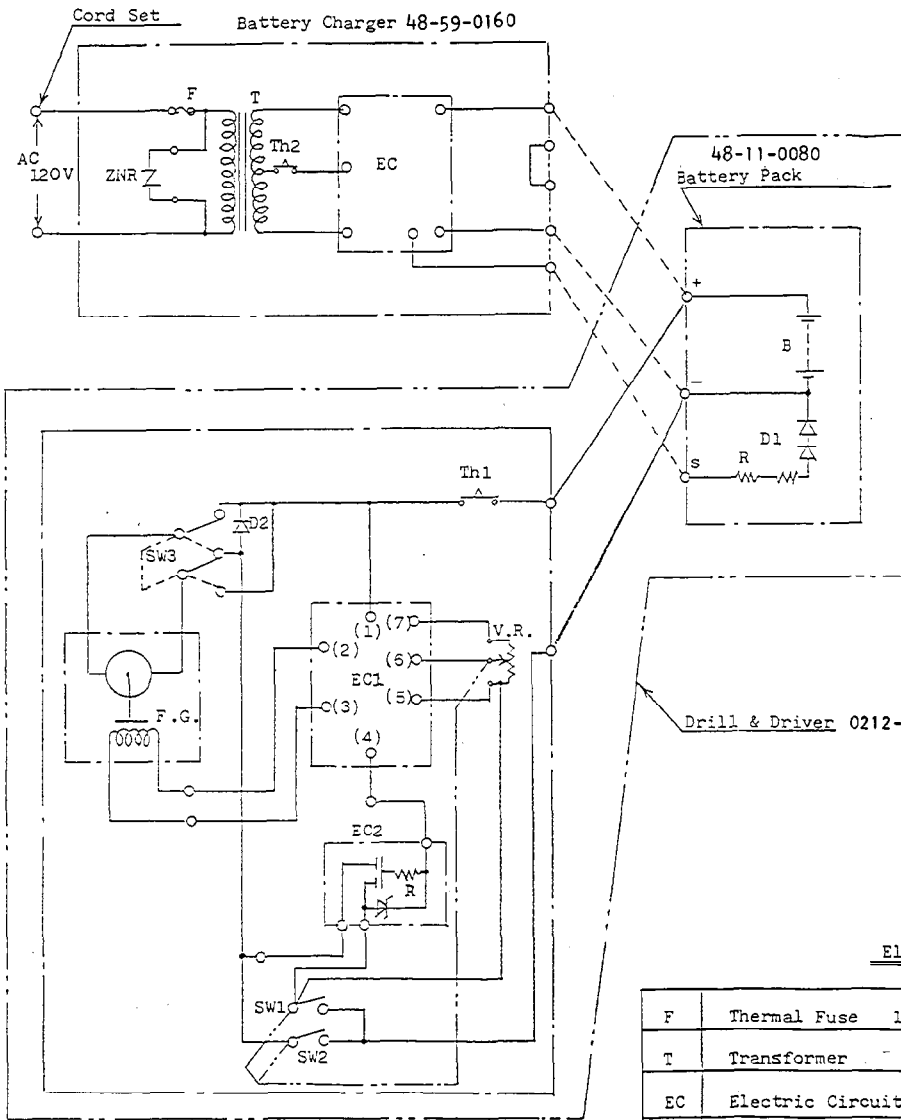


FIG.	PART NO.	DESCRIPTION OF PART	NO. REQ.
1	31-50-0590	Left Housing	(1)
2	31-50-0600	Right Housing	(1)
3	45-56-0200	Hand Strap	(1)
4	05-81-0419	Body Screw	(7)
5	23-66-1460	Switch Assy.	(1)
6	-----	Motor Terminal Plate	(1)
7	-----	Circuit Board Assembly	(1)
8	05-81-0312	3 x 12 MM Hand Strap Screw	(1)
9	45-04-0690	Chuck Retaining Screw	(1)
10	48-66-0817	Chuck	(1)
11	48-66-3350	Chuck Key	(1)
12	14-08-0140	Gear Box Assembly	(1)
13	44-10-0170	Gear Change Lever With Springs	(1)
14	32-48-0060	Reduction Gear Assembly	(1)
15	32-48-0070	Change Gear Assembly	(1)
16	22-09-0370	Field Effect Transistor	(1)
17	14-50-0460	Motor Assembly	(1)
18	48-11-0080	Battery Pack	(1)
19	48-59-0160	Battery Charger (Ref. to Bul. 54-04-0100)	(1)
20	44-10-0250	Fwd./Rev. Lever	(1)
21	45-72-0170	Switch Trigger Only	(1)

MILWAUKEE ELECTRIC TOOL CORPORATION
13135 W. LISBON RD., BROOKFIELD, WI 53005



Electric Wiring Diagram

F	Thermal Fuse	135°C
T	Transformer	
EC	Electric Circuit	
Th2	Temperature Limiting Control	125 V 12 A 90°C
ZNR	Transient Surge Absorber	

B	Storage Battery	1.2 V 1200 mAh
R	Resistor	10 ~ 195 Ω 1/4 W
D1	Diode	35 V 100 mA
Th1	Temperature Limiting Control	125 V 12 A 140°C
D2	Diode	
EC1	Electric Circuit	
EC2	Electric Circuit	
V.R.	Variable Resistor (Max	50KΩ)
F.G.	Frequency Generator	
M	Motor	7.2 V
SW1	Switch	
SW2	Switch	
SW3	Switch	